

4

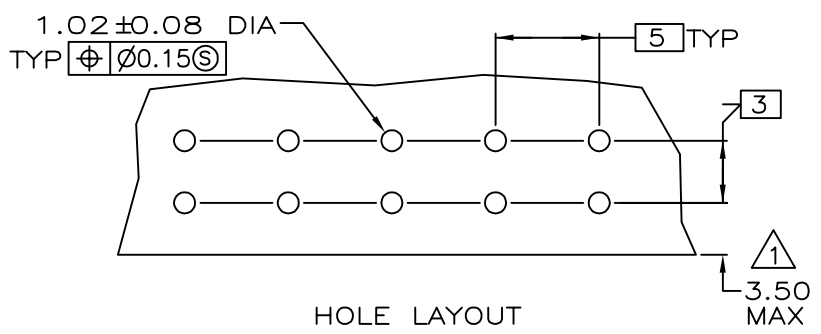
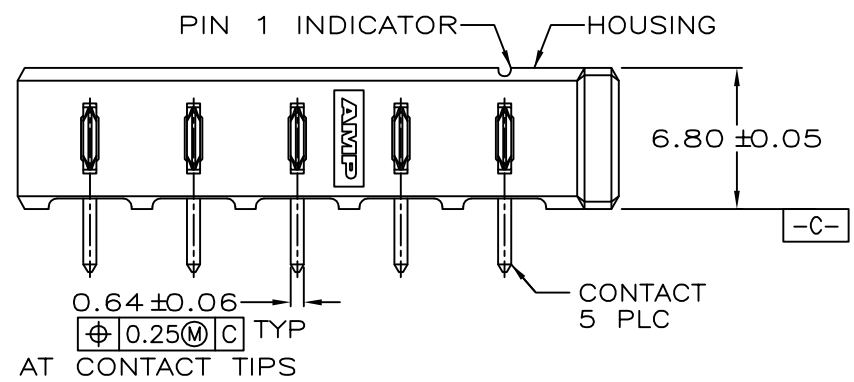
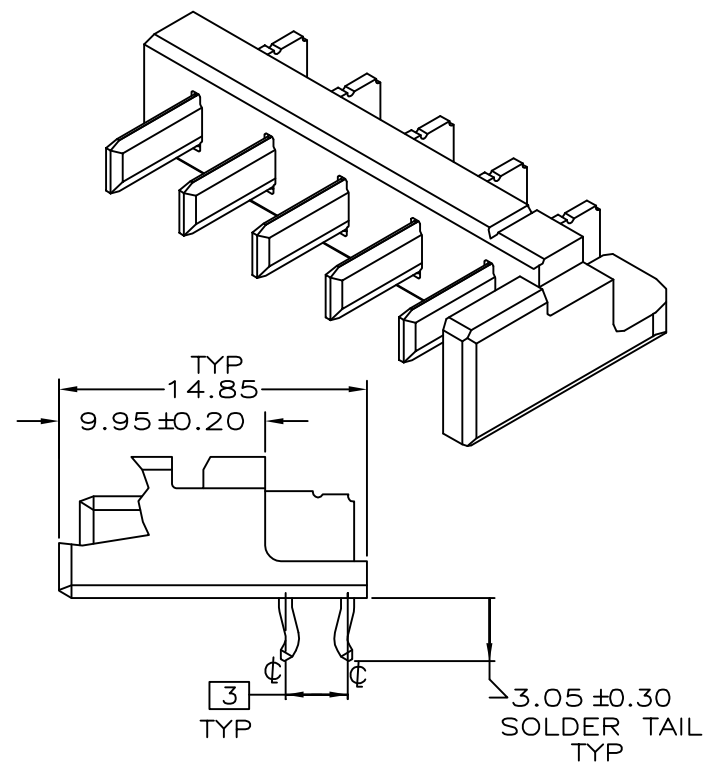
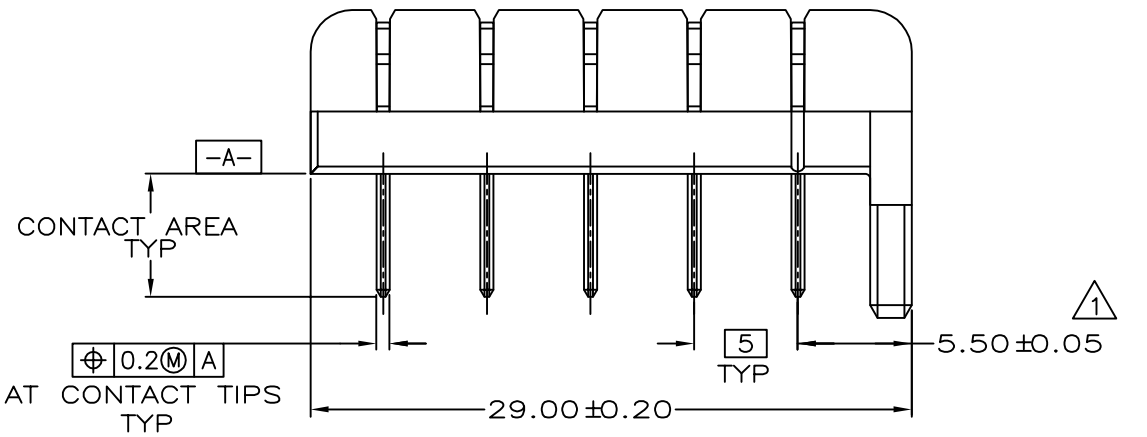
3

2

1

THIS DRAWING IS UNPUBLISHED. RELEASED FOR PUBLICATION  
 © COPYRIGHT BY TYCO ELECTRONICS CORPORATION. ALL RIGHTS RESERVED.

LOC	DIST	REVISIONS			
P	LTR	DESCRIPTION	DATE	DWN	APVD
ES	00	A	REVISED PER ECR-10-002761	08FEB2010	S.W S.Y



1 COORDINATE DIMENSION APPLIES FROM CENTER OF ACTUAL FEATURE.

2 FINISH: 2.54um MIN TIN ON SOLDER TAIL OVER 1.90um MIN NICKEL ALL OVER.

5787141-1

THIS DRAWING IS A CONTROLLED DOCUMENT.		DWN	G.DOUTY	11/11/93	Tyco Electronics Corporation	
		CHK	S.KLINE	02/17/94	Shanghai, P.R.China, 200233	
		APVD	S.KLINE	02/17/94	NAME	
DIMENSIONS: mm		PRODUCT SPEC		108-1501		
TOLERANCES UNLESS OTHERWISE SPECIFIED:		APPLICATION SPEC		-		
0 PLC	± -	WEIGHT		-		
1 PLC	± -	SIZE		A3		
2 PLC	± 0.10	CAGE CODE		00779		
3 PLC	± -	DRAWING NO		C=5787141		
4 PLC	± -	RESTRICTED TO		-		
ANGLES	± -	CUSTOMER DRAWING		SCALE 4:1		
MATERIAL	FINISH	SHEET		1 OF 1		
HOUSING: LCP, BLACK		REV		A		
CONTACTS: BRASS.						