

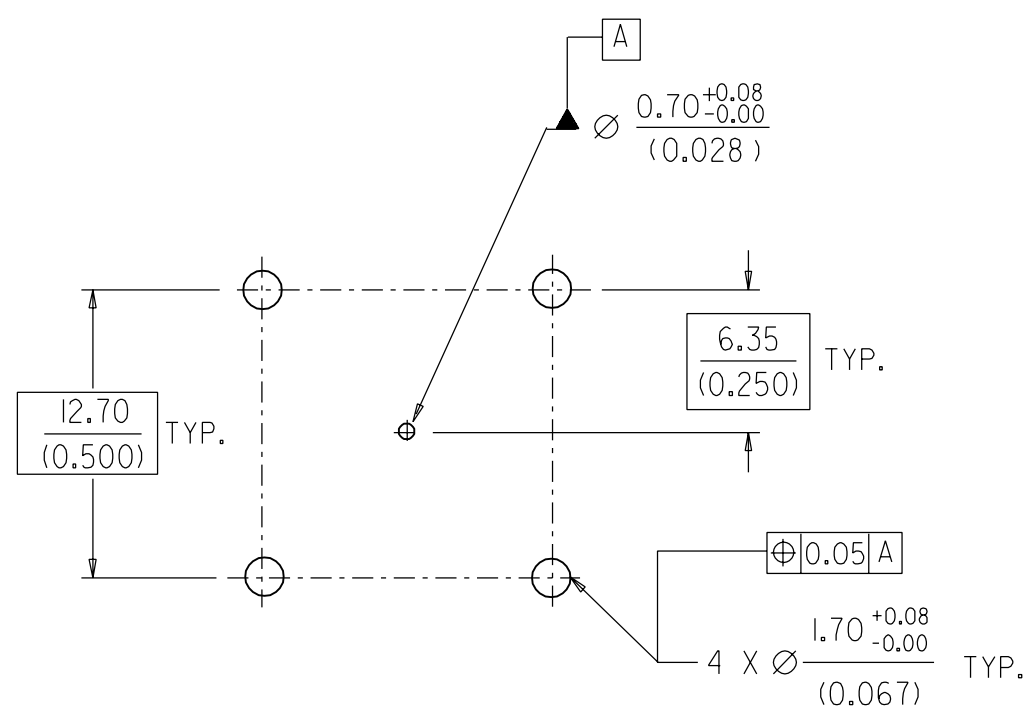
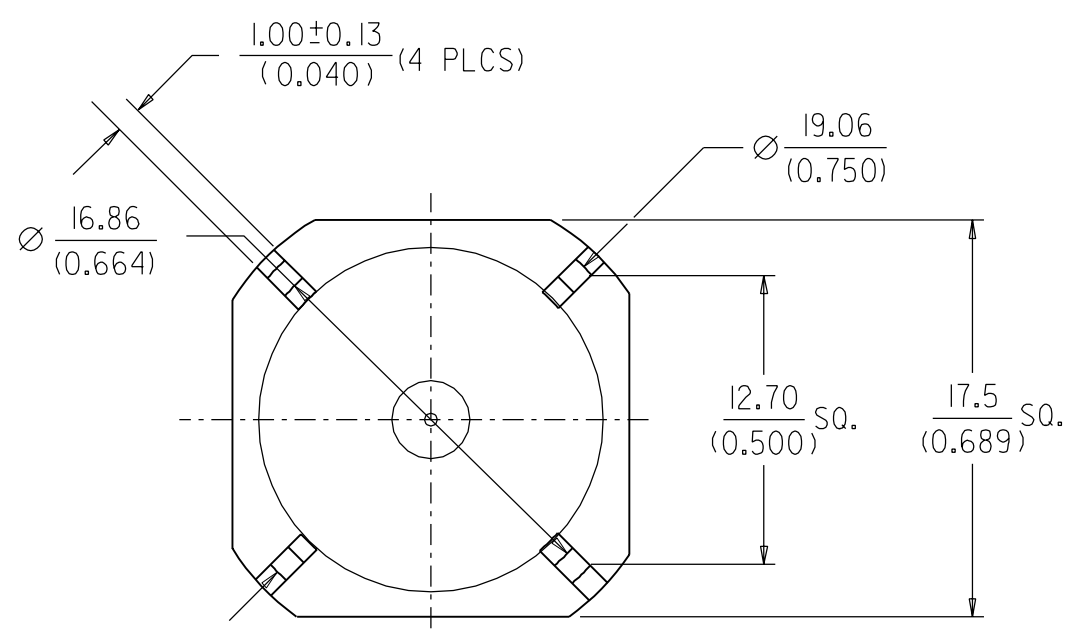
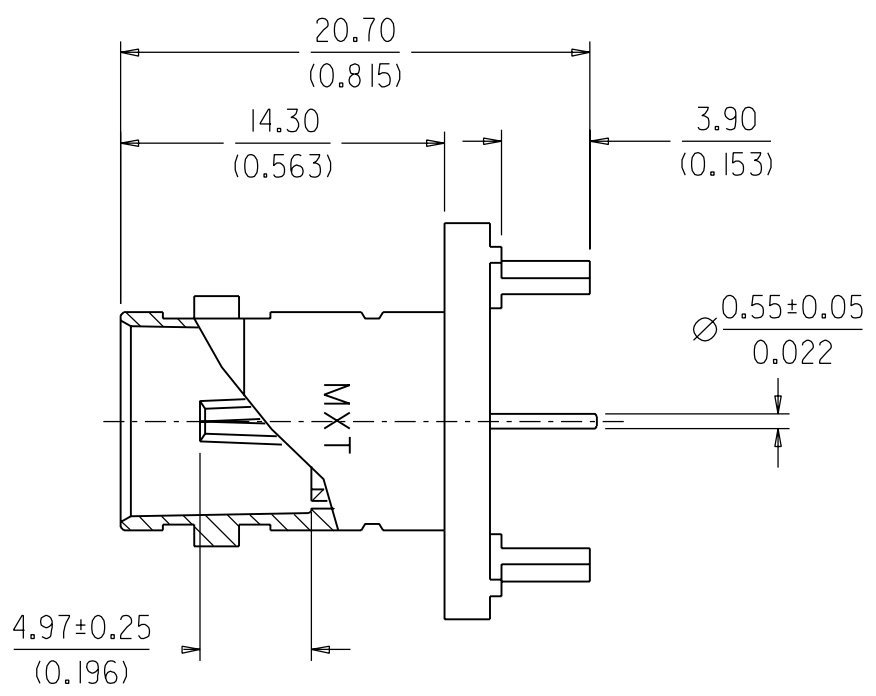
ENG. NO.

EDP NO.

SIMILAR ITEM

CADFILE NO.

DO NOT SCALE DRAWING



RECOMMENDED PCB HOLE CONFIGURATION

**CONSTRUCTION:**

CONNECTOR BODY -----BRASS  
 DIELECTRIC -----TEFLON  
 CENTER CONDUCTOR -----PHOSPHOR BRONZE

**FINISH:**

CONNECTOR BODY -----NICKEL PLATING  
 CENTER CONDUCTOR -----GOLD PLATING (10u'')

**MECHANICAL & ELECTRICAL CHARACTERISTICS:**

PER PRODUCT SPECIFICATION PS-73598-0062

**PACKAGING:**

PLASTIC TRAYS

					MATERIAL : SEE NOTE		<b>MOLEX TAIWAN LTD.</b> ( R.F. DIVISION )
					FINISH : SEE NOTE		
					SCALE : 3:1	UNIT : mm(INCH)	
B	R. T. M.	0979	Jason	97/03/20	DRAWN BY : JOE 96/08/13		GENERAL TOLERANCES ANGLE : ± 3° DIM. ± 0.25 (±.01)
A2	ADD INTERFACE DIM.	0932	Jason	96/12/15	CHK'D BY :		DRW. NO.: SDA-73133-7003 REV B
A1	TOOLING RELEASE	0863	Joe	96/08/13	APPR'D BY :		TITLE : 75 OHM BNC(J) STRAIGHT PCB RECEPTACLE
LTR	REVISION RECORD	ECN	DR	DATE	STANDARD ITEM <input type="checkbox"/> YES <input checked="" type="checkbox"/> NO		SHEET 1 OF 1

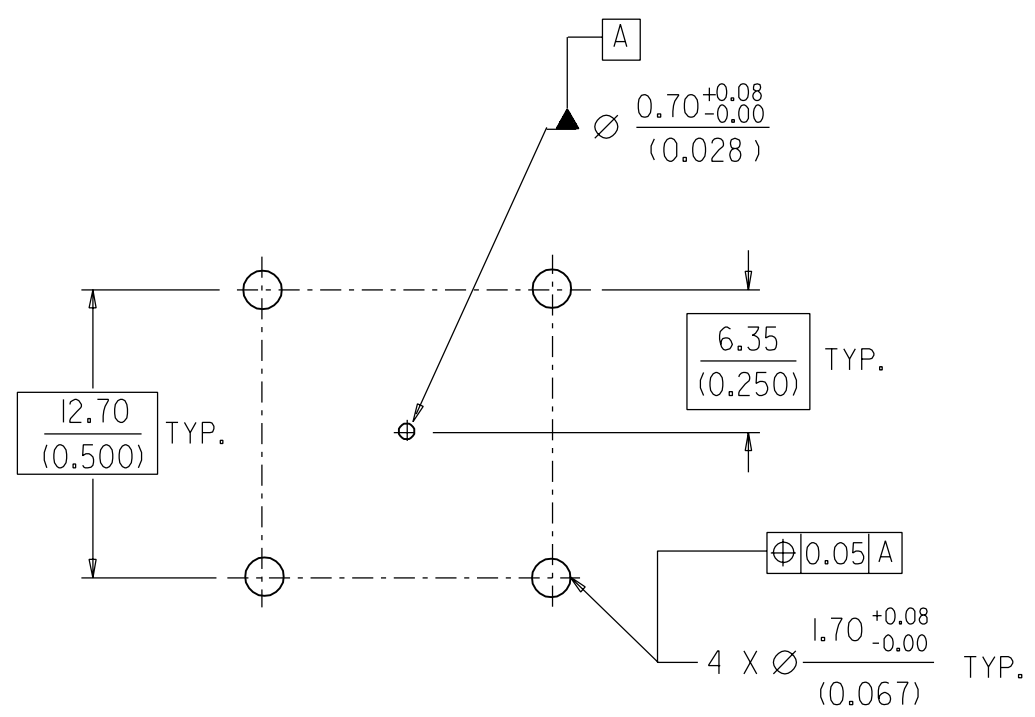
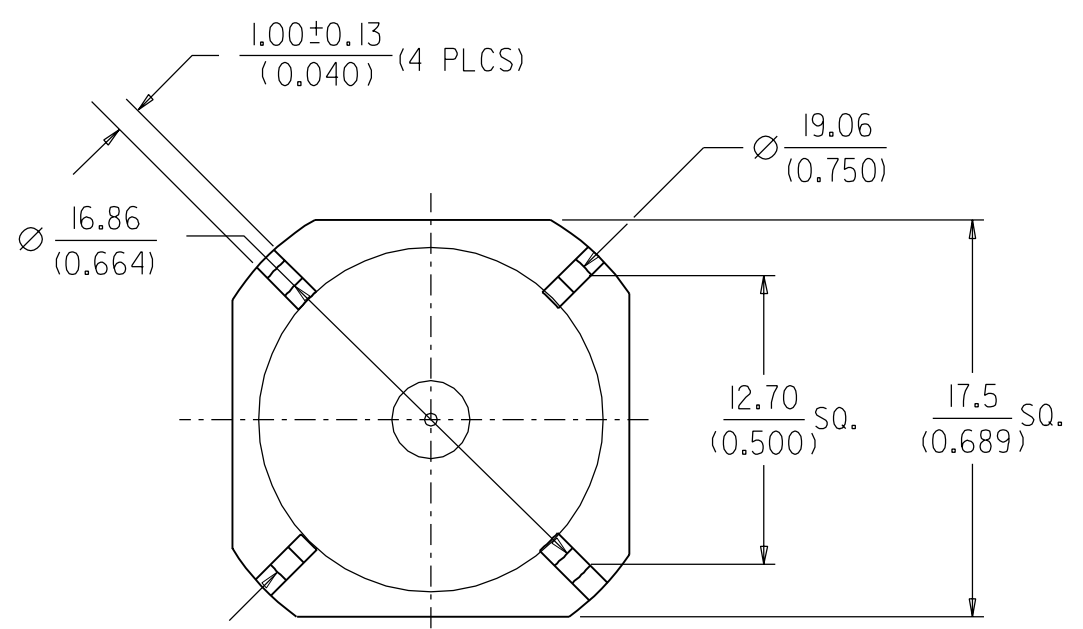
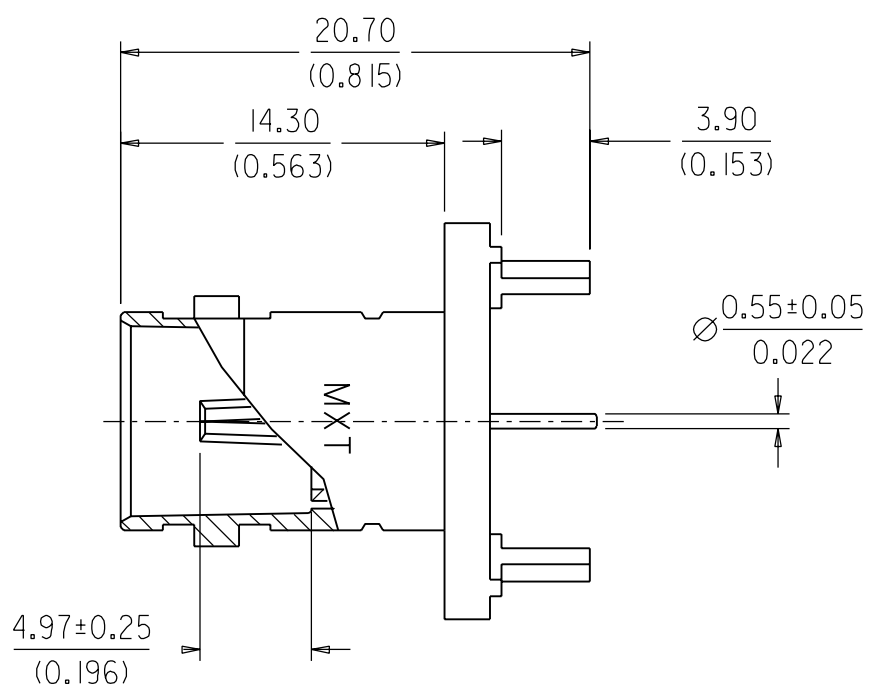
ENG. NO.

EDP NO.

SIMILAR ITEM

CADFILE NO.

DO NOT SCALE DRAWING



RECOMMENDED PCB HOLE CONFIGURATION

**CONSTRUCTION:**

CONNECTOR BODY -----BRASS  
 DIELECTRIC -----TEFLON  
 CENTER CONDUCTOR -----PHOSPHOR BRONZE

**FINISH:**

CONNECTOR BODY -----NICKEL PLATING  
 CENTER CONDUCTOR -----GOLD PLATING (10u'')

**MECHANICAL & ELECTRICAL CHARACTERISTICS:**

PER PRODUCT SPECIFICATION PS-73598-0062

**PACKAGING:**

PLASTIC TRAYS

					MATERIAL : SEE NOTE		MOLEX TAIWAN LTD. ( R.F. DIVISION )
					FINISH : SEE NOTE		
					SCALE : 3:1	UNIT : mm(INCH)	
B	R. T. M.	0979	Jason	97/03/20	DRAWN BY : JOE 96/08/13		GENERAL TOLERANCES ANGLE : ± 3° DIM. ± 0.25 (±.01)
A2	ADD INTERFACE DIM.	0932	Jason	96/12/15	CHK'D BY :		DRW. NO.: SDA-73133-7003 REV B
A1	TOOLING RELEASE	0863	Joe	96/08/13	APPR'D BY :		TITLE : 75 OHM BNC(J) STRAIGHT PCB RECEPTACLE
LTR	REVISION RECORD	ECN	DR	DATE	APPR'D BY :		
STANDARD ITEM					<input type="checkbox"/> YES <input checked="" type="checkbox"/> NO		SHEET 1 OF 1