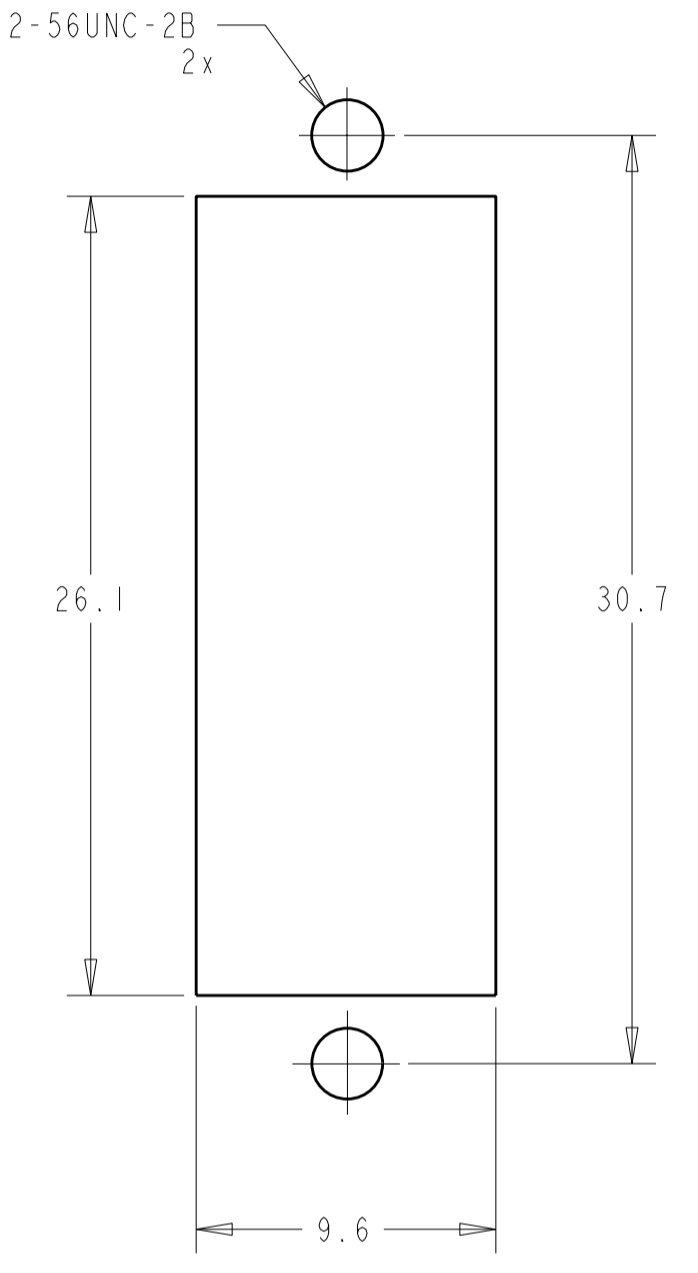
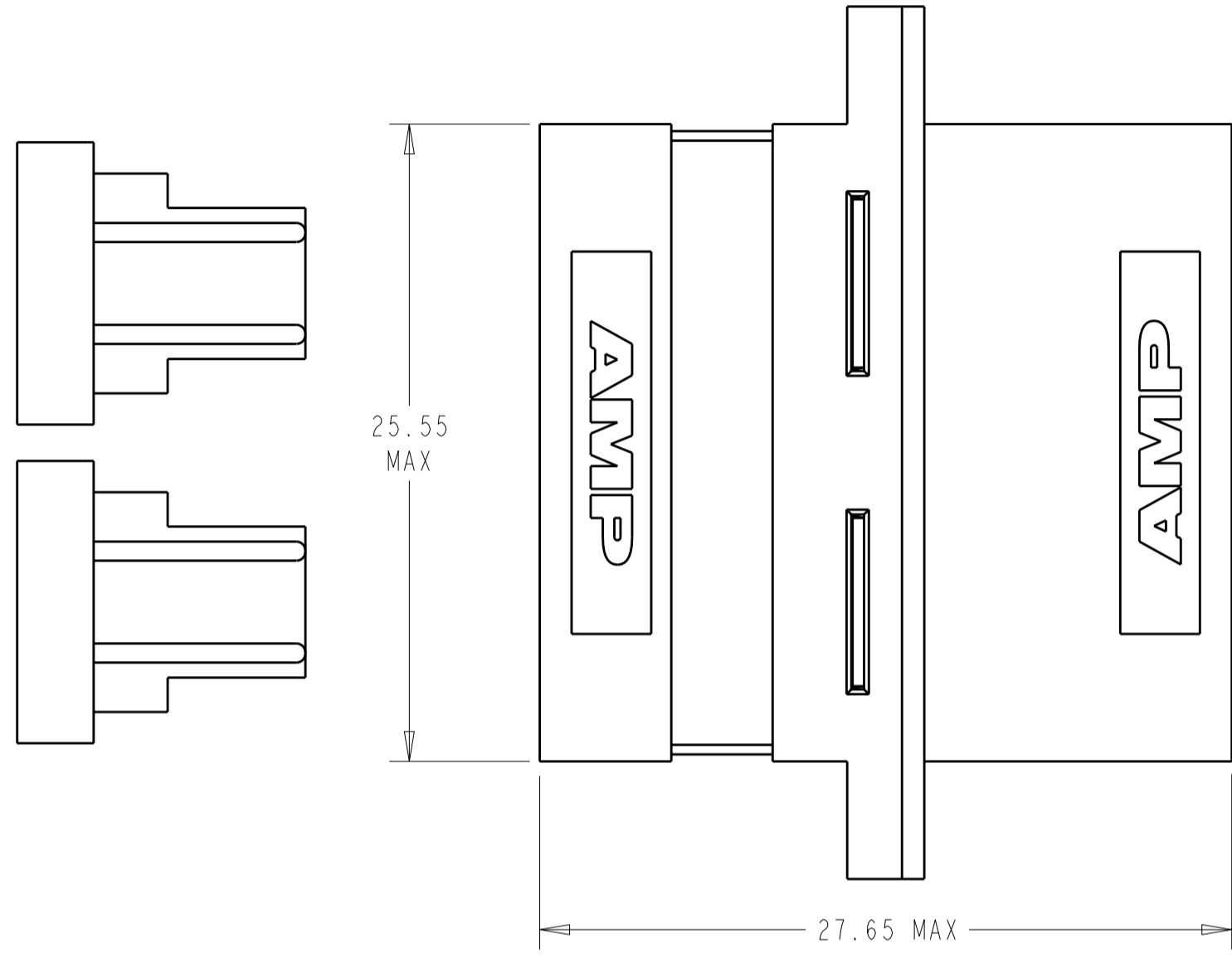
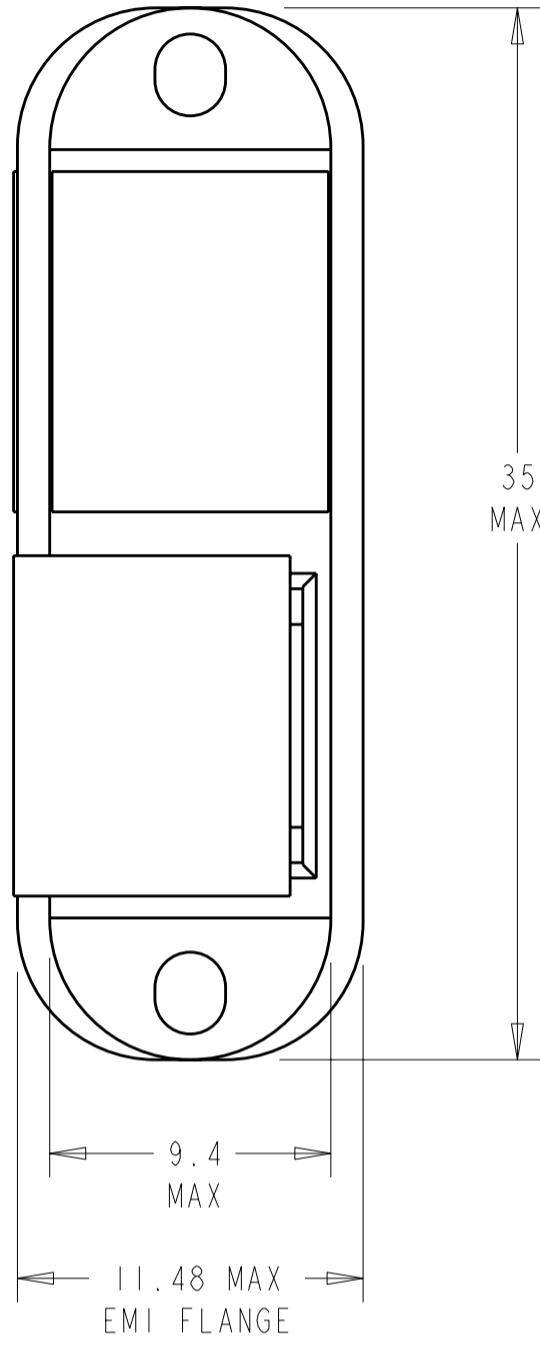


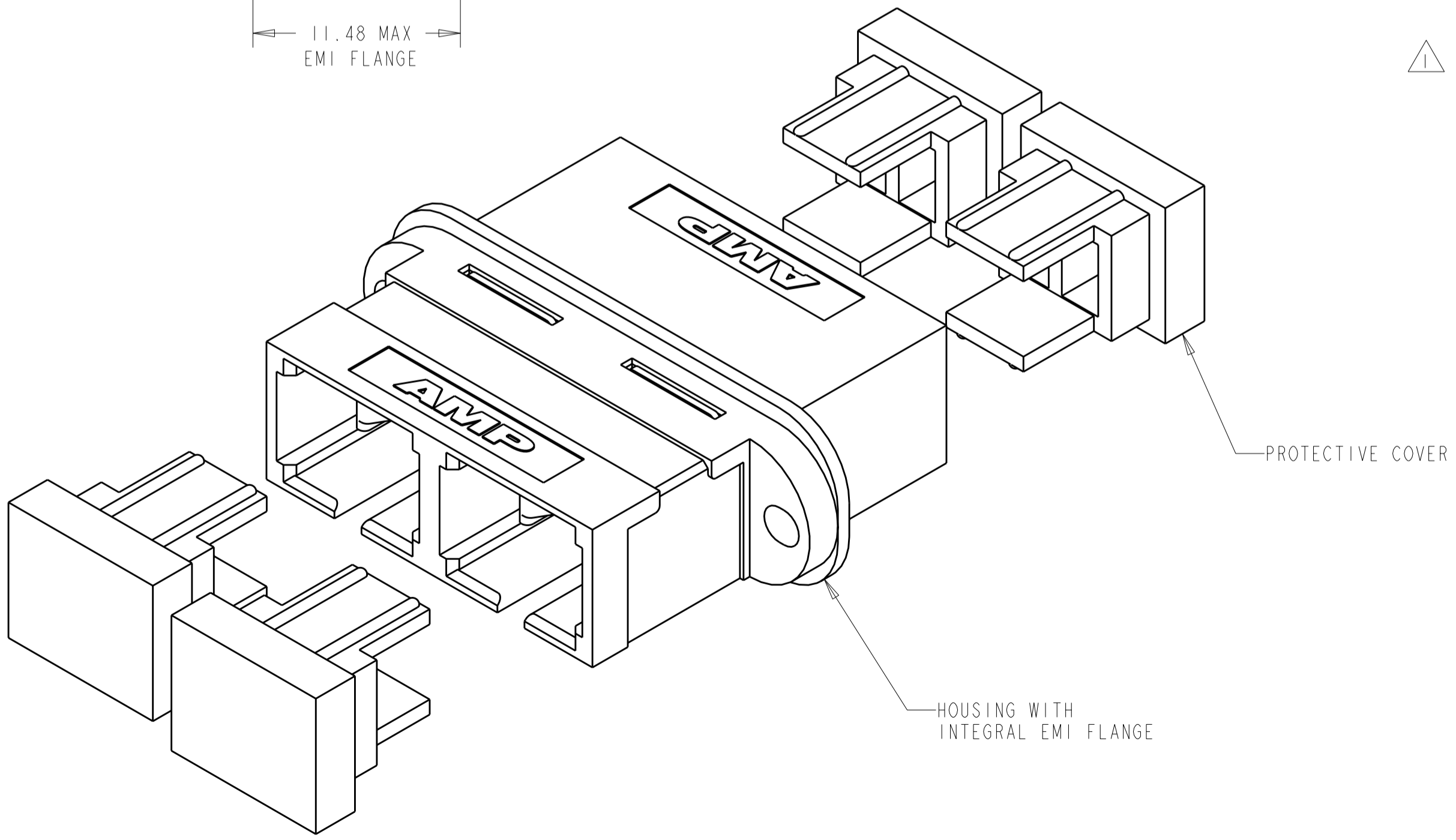
THIS DRAWING IS UNPUBLISHED. RELEASED FOR PUBLICATION .19  
 © COPYRIGHT 19 BY AMP INCORPORATED. ALL RIGHTS RESERVED.

REVISIONS				
F	LTR	DESCRIPTION	DATE	APVD
	A	RELEASE TO ACTIVE	07JUN2006	BB SM



1 MATERIAL:  
 HOUSING: DIECAST ZINC, NICKEL PLATED  
 ALIGNMENT SLEEVE: SEE DASH NOS.  
 PROTECTIVE COVER: TPE, COLOR: BLACK\*  
 RETAINER: PEI-GF30, COLOR: BLACK\*  
 \*UL94 V-0 RATED AT QUALIFYING THICKNESS.

SUGGESTED PANEL CUTOUT  
 MAXIMUM PANEL THICKNESS 1.7



CERAMIC	6374223-3
PHOS BRONZE	6374223-1
ALIGNMENT SLEEVE	PART NUMBER

THIS DRAWING IS A CONTROLLED DOCUMENT FOR AMP INCORPORATED. IT IS SUBJECT TO CHANGE AND THE CONTROLLING ENGINEERING ORGANIZATION SHOULD BE CONTACTED FOR THE LATEST REVISION.		DWN B. BRIGGS 19MAY2005	AMP Incorporated Harrisburg, PA 17105-3608
DIMENSIONS: mm		CHK S. MILLER 19MAY2005	
TOLERANCES UNLESS OTHERWISE SPECIFIED: 0 PLC ± 1 PLC ±0.1 2 PLC ±0.05 3 PLC ± 4 PLC ± ANGLES ± FINISH -		APVD S. BUCHTER 19MAY2005	
MATERIAL		PRODUCT SPEC APPLICATION SPEC WEIGHT	
		NAME ASSEMBLY, DUPLEX RECEPTACLE, SC/SC WITH EMI FLANGE, DIECAST HOUSING	RESTRICTED TO
		SIZE A2	CAGE CODE 00779
		DRAWING NO 6374223	REV A
		CUSTOMER DRAWING	SCALE 4:1 SHEET 1 OF 1