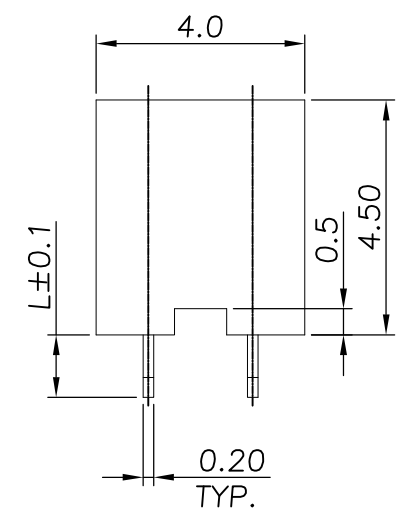
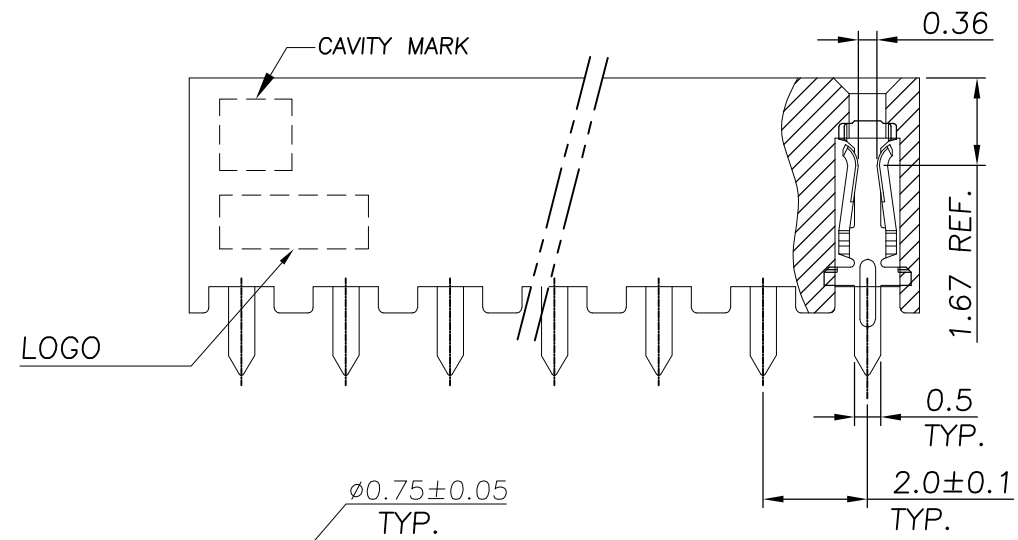
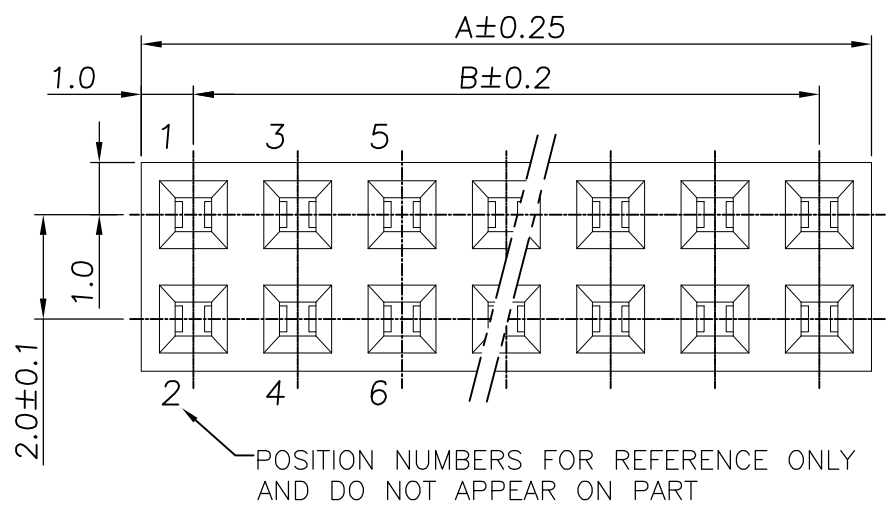
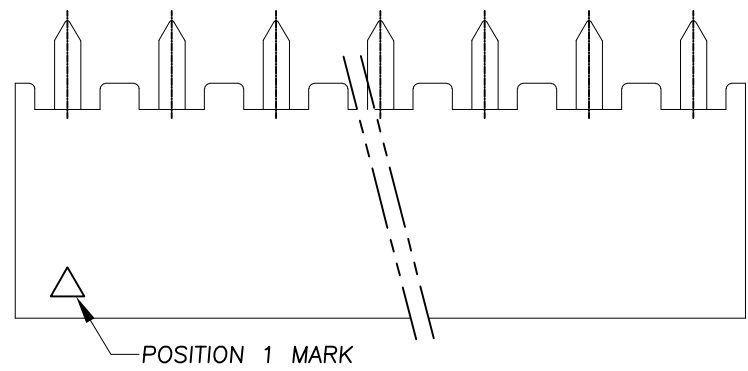


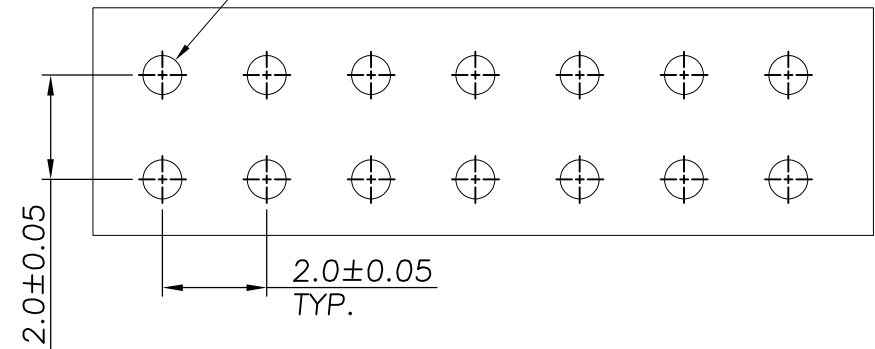
THIS DRAWING IS UNPUBLISHED
 RELEASED FOR PUBLICATION MAR , 2006.
 ALL RIGHTS RESERVED.
 © COPYRIGHT 2009 By -

LOC	DIST	REVISIONS					
IR	-	P	LTR	DESCRIPTION	DATE	DWN	APVD
			A	REVISED PER ECO-11-018658	14SEP11	KH	JO

- NOTE:
- 1 MATERIAL :
 HOUSING : THERMOPLASTIC, UL94V-0, BLACK COLOR.
 CONTACT : PHOSPHOR BRASS, THICKNESS=0.20mm.
 - 2 FINISH:
 CONTACT : GOLD PLATED (SEE TABLE) ON CONTACT AREA
 80μ" MIN. MATTE TIN PLATED ON SOLDERTAILS,
 50μ" MIN. NICKEL UNDERPLATED ALL OVER
 - 3. APPLICATION :
 SOLDERTAIL LENGTH 2.6 FOR PCB THICKNESS 1.0 MAX.
 1.2 FOR PCB THICKNESS 0.3 MAX.
 - 4. WAVE SOLDER CAPABLE TO 265°C PER TE SPEC 109-202, CONDITION B
 - 5. QUALIFICATION TEST REPORT: 501-57197
 - 6 PRELIMINARY PART - NOT RELEASED FOR PRODUCTION.



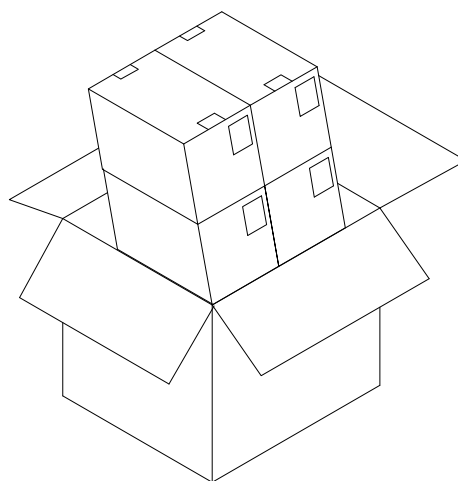
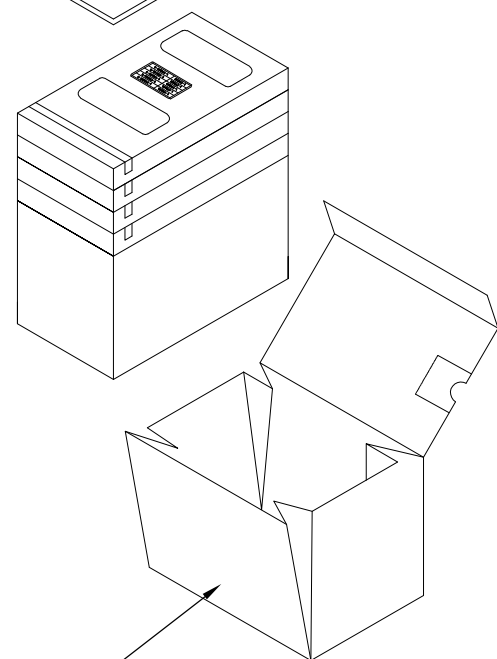
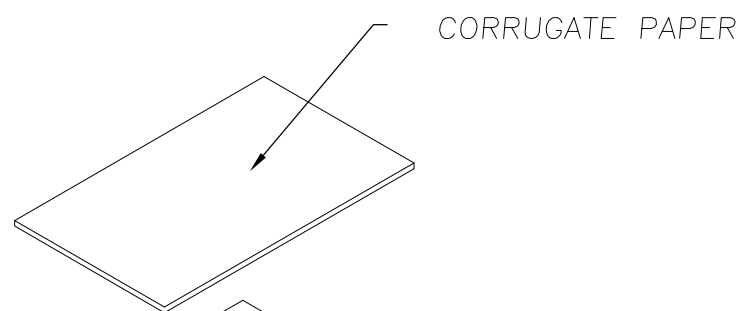
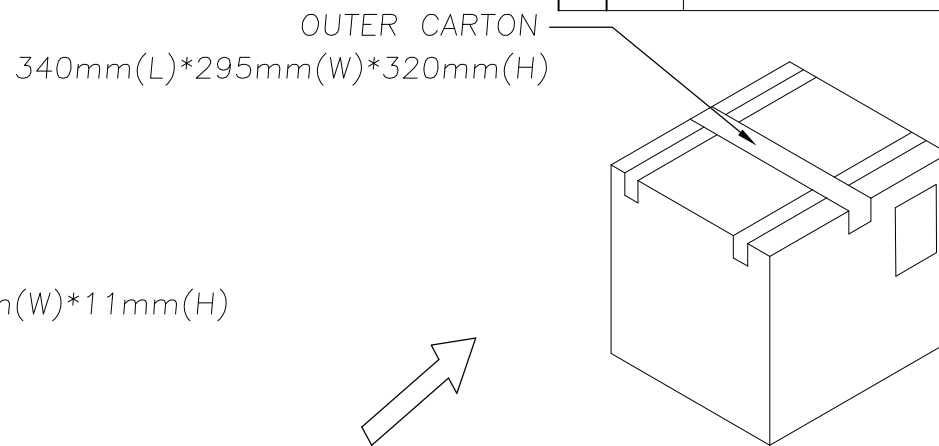
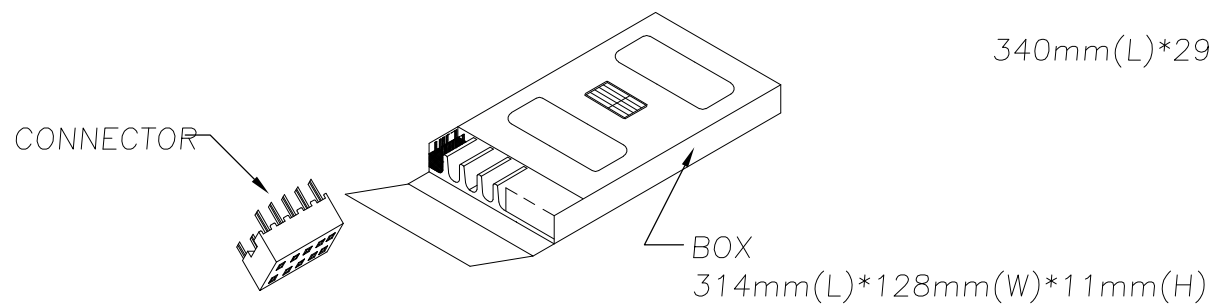
6	80μ" MIN	2.6±0.1	50	48	50	2-1977745-4
			48	46	48	2-1977745-3
			46	44	46	2-1977745-2
			44	42	44	2-1977745-1
			42	40	42	2-1977745-0
			40	38	40	1-1977745-9
			38	36	38	1-1977745-8
			36	34	36	1-1977745-7
			34	32	34	1-1977745-6
			32	30	32	1-1977745-5
			30	28	30	1-1977745-4
			28	26	28	1-1977745-3
			26	24	26	1-1977745-2
			24	22	24	1-1977745-1
			22	20	22	1-1977745-0
			20	18	20	1977745-9
18	16	18	1977745-8			
16	14	16	1977745-7			
14	12	14	1977745-6			
12	10	12	1977745-5			
10	8	10	1977745-4			
8	6	8	1977745-3			
6	4	6	1977745-2			
4	2	4	1977745-1			
TIN PLATE THICKNESS	"L"	KEYING POS.	A	B	POS	PART NUMBER



RECOMMENDED PCB LAYOUT

THIS DRAWING IS A CONTROLLED DOCUMENT.		DWN RAGHAVENDRA 16DEC10	TE Connectivity						
DIMENSIONS: mm		CHK MICHAEL GALLOWAY 16DEC10					NAME		AMPMODU 2.0mm PITCH, REC CONN, VERTICAL, MOUNT TYPE
TOLERANCES UNLESS OTHERWISE SPECIFIED:		APVD MICHAEL GALLOWAY 16DEC10	PRODUCT SPEC		-				
0 PLC ± -		APPLICATION SPEC		108-57197		SIZE	CAGE CODE	DRAWING NO	RESTRICTED TO
1 PLC ± 0.15		-		-		A3	-	C-1977745	-
2 PLC ± 0.10		-		-		SCALE		SHEET	
3 PLC ± 0.05		-		-		1:1		1 OF 2	
4 PLC ± -		-		-		REV		A	
ANGLES ± 3'		-		-		CUSTOMER DRAWING		SCALE 1:1 SHEET 1 OF 2 REV A	
FINISH		-		-		-		-	

LOC	DIST	REVISIONS					
IR	-	P	LTR	DESCRIPTION	DATE	DWN	APVD
		-		SEE SHEET 1	-	-	-



INNER CARTON
320mm(L)*138mm(W)*144mm(H)

6	2.6±0.1	4320	1080	90	50	2-1977745-4
		4320	1080	90	48	2-1977745-3
6		4320	1080	90	46	2-1977745-2
		4320	1080	90	44	2-1977745-1
		5040	1260	105	42	2-1977745-0
		5040	1260	105	40	1-1977745-9
		5040	1260	105	38	1-1977745-8
		5760	1440	120	36	1-1977745-7
		5760	1440	120	34	1-1977745-6
		6480	1620	135	32	1-1977745-5
		7200	1800	150	30	1-1977745-4
		7200	1800	150	28	1-1977745-3
		7920	1980	165	26	1-1977745-2
		8640	2160	180	24	1-1977745-1
		9360	2340	195	22	1-1977745-0
		10080	2520	210	20	1977745-9
		11520	2880	240	18	1977745-8
		12960	3240	270	16	1977745-7
		15120	3780	315	14	1977745-6
		17280	4320	360	12	1977745-5
		20880	5220	435	10	1977745-4
		26640	6660	555	8	1977745-3
35280	8820	735	6	1977745-2		
51840	12960	1080	4	1977745-1		
"L"	Pcs/Carton	Pcs/Inner Carton	Pcs/BOX	POS.	PART NUMBER	

THIS DRAWING IS A CONTROLLED DOCUMENT.		DWN RAGHAVENDRA 16DEC10	STE TE Connectivity		
DIMENSIONS: mm		CHK MICHAEL GALLOWAY 16DEC10			
TOLERANCES UNLESS OTHERWISE SPECIFIED:		APVD MICHAEL GALLOWAY 16DEC10	NAME AMPMODU 2.0mm PITCH, REC CONN, VERTICAL, MOUNT TYPE		
0 PLC ± - 1 PLC ± 0.15 2 PLC ± 0.10 3 PLC ± 0.05 4 PLC ± - ANGLES ± 3'		PRODUCT SPEC 108-57197	DRAWING NO C-1977745		
MATERIAL SEE SHEET 1		FINISH SEE SHEET 1	SIZE A3	CAGE CODE -	RESTRICTED TO -
CUSTOMER DRAWING			SCALE 1:1	SHEET 2 OF 2	REV A