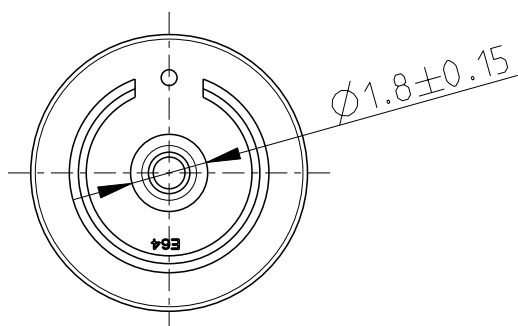
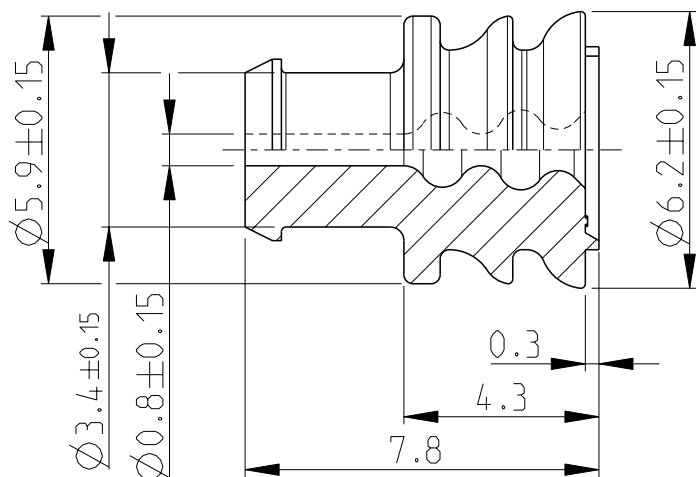
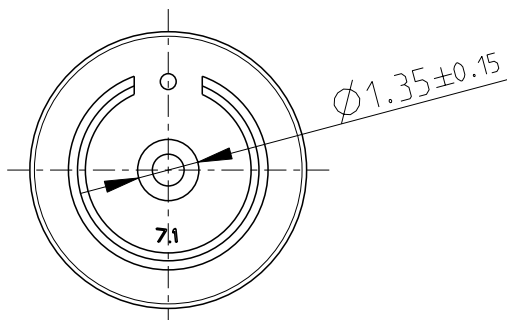


LOC	DIST	REVISIONS					
A1	-	P	LTR	DESCRIPTION	DATE	DWN	APVD
		M8		REVISED PER ECO-11-005150	31MAR2011	RK	HMR
		M9		REVISED PER ECO-16-012850	31AUG2016	M.G.	M.G.

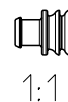


ALTERNATIVE DESIGN ADMITTED:



BEMERKUNGEN  
NOTES

- Einzelheiten der Ausfuehrung bleiben dem hersteller ueberlassen  
DETAILS OF DESIGN ARE LEFT TO MANUFACTURER
- Passend fuer Drahtgroessenbereich: 0.35-1.0mm<sup>2</sup>  
SUITABLE FOR WIRE SIZE RANGE:
- Passend fuer Isolationsdurchmesser: 1.2-2.1mm  
SUITABLE FOR INSULATION DIAMETER:
- Bestueckungshilfe fuer Einzelleiterabdichtung siehe: TE Connectivity: 3-1579007-2  
INSERTER FOR SINGLE WIRE SEAL SEE:
- Keine Luftloecher zulaessig  
NO AIR BUBBLES PERMITTED



828920-2	M	DARK BLUE	VMQ-50Shore A SILICON OIL FREE
828920-1	M	GREY	VMQ-50Shore A SELF-LUBRICATED
PART NO.	REV.	COLOUR	MATERIAL

RELEASED FOR PUBLICATION

ALL RIGHTS RESERVED.

THIS DRAWING IS UNPUBLISHED.

© COPYRIGHT-

DIMENSIONS: mm		DWN Gaupp, P.	17APR1997	MATERIAL	SEE TABLE	FINISH	-
TOLERANCES UNLESS OTHERWISE SPECIFIED: DIN 16901-160		CHK Kuempel, D.	21APR1997	<b>TE</b> TE Connectivity			
0 PLC ± 1 PLC ± 2 PLC ± 3 PLC ± 4 PLC ± ANGLES ±°		APVD	-				
		PRODUCT SPEC	108-18263-1	NAME SINGLE WIRE SEAL FOR 2.5mm CTC. SYSTEM			
		APPLICATION SPEC	-	SIZE	A 4	CAGE CODE	00779
		WEIGHT	0.106g	DRAWING NO	C=828920		RESTRICTED TO
		CUSTOMER DRAWING		SCALE	6:1	SHEET	1 OF 1
						REV	M9