

Ratings

Voltage: 30 Vdc
Current: 300 mA

Operating Temperature Range

-25° to 85°C, relative humidity of 85% or less

Materials

1. Insulator: nylon, black
2. Insulator: nylon, black
3. Shell: brass, nickel plated
4. Spring contact: phosphor bronze, nickel-plated
5. Spring contact: phosphor bronze, nickel-plated
6. Solder tab: brass, nickel-plated
7. Nut: brass, nickel-plated, P/N 56-00004, M9x 0.75
8. Split washer: cold rolled steel, nickel plated, P/N 56-00005

Electrical Requirements

Dielectric strength: 1 min @ 500 Vac
Insulation resistance: 100 MΩ @ 500 Vdc
Contact resistance: 50 mΩ or less

Mechanical Requirements

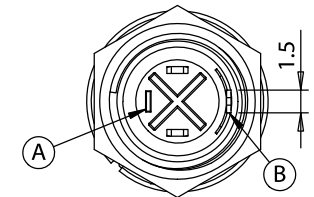
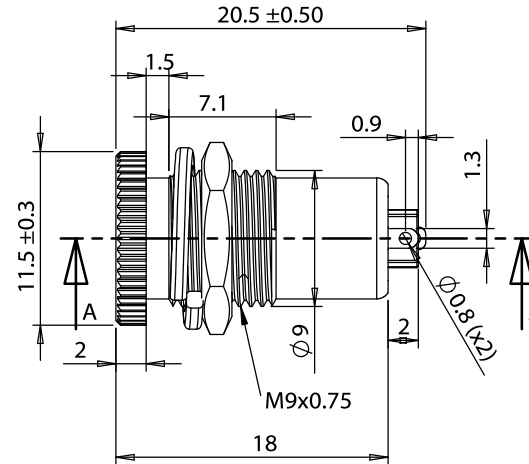
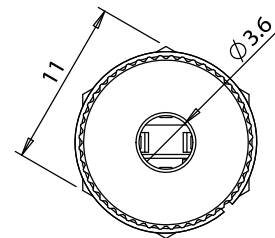
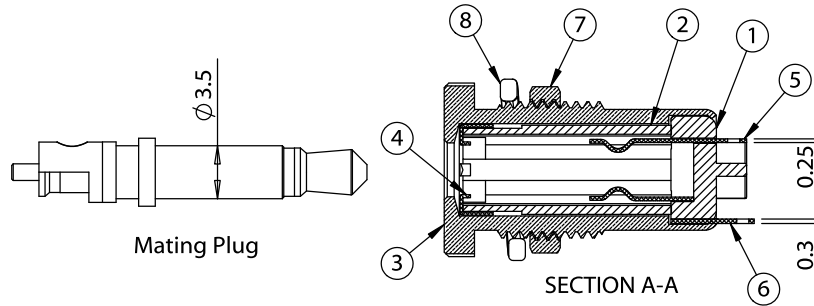
Insertion force: 0.3-2 kgf
Withdrawal force: 0.3-2 kgf
Terminal strength: a static load of 300 gf shall be applied to the terminal for 15 seconds in any direction.
Life cycle: 5000 mating cycles while maintaining less than 100 mΩ contact resistance, 50MΩ insulation resistance, and 500 Vac for 1 minute withstand voltage.

Soldering

Solderability: 75% minimum coverage when terminals dipped 2mm in 235 ±5 °C solder bath for 3 ±0.5 seconds
Solder bath durability: no deformation when immersed in 255 ±5 °C up to surface of the board 1.6 mm for 5 seconds or less
Solder iron durability: no deformation when exposed to 350 ±10 °C for 3 ±0.5 seconds

Environmental Requirements

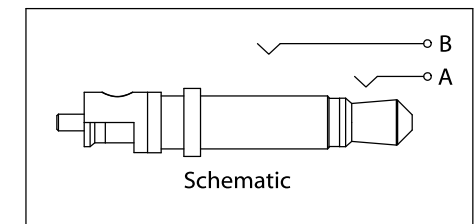
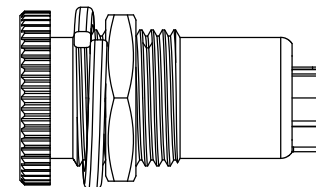
Cold test: -25 ±3 °C for 48 hours without deformation
Heat test: 85 ±2 °C, relative humidity 45-85% for 48 hours without deformation
Humidity test: 40 ±2 °C, relative humidity 90-98% for 48 hours without deformation



Installation Details

Panel thickness: 1.0 - 4.8 mm

Panel cutout Ø: 9.2 - 10.5 mm



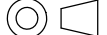
Revision:	Date:	Description:
A	8/8/2017	Initial release

Prepared:	AG <small>Digitally signed by AG Date: 2017.08.08 11:48:10 -07'00'</small>
Verified:	LA <small>Digitally signed by LA Date: 2017.08.08 12:54:41 -07'00'</small>
Dimensions are in millimeters. Tolerances: X: ± 0.5 mm X.X: ± 0.3 mm X.XX: ± 0.05 mm	

Notes:	RoHS compliant
Function test:	no open, no short circuit, no intermittent
Description:	Connector, mono jack, 3.5x20.5 mm, panel mount, nickel plated, threaded, nut and washer

TENSILITY

tel 1.541.323.3228 800 877.670.7118
fax 1.541.323.4202 web tensility.com

Size:	Part number:
A	54-00080
Scale:	2:1
	
Sheet 1 of 1	