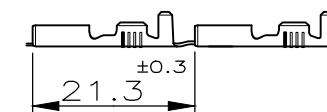


REVISIONS

P	LTR	DESCRIPTION	DATE	DWN	APVD
	CU10	REVISED PER ECO-18-010559	22Feb2019	DT	TD

1) STATO DI FORNITURA - SCALA 1:1
(SUPPLY CONDITION - SCALE 1:1)



SENDO DI USCITA
DEL TERMINALE
DALLA BOBINA
(DIRECTION OFF
TOP OF REEL)

2) SPECIFICA DI PRODOTTO 108-20019
(PRODUCT SPEC. 108-20019)
SPECIFICA DI APPLICAZIONE 114-20023
(APPLICATION SPEC. 114-20023).

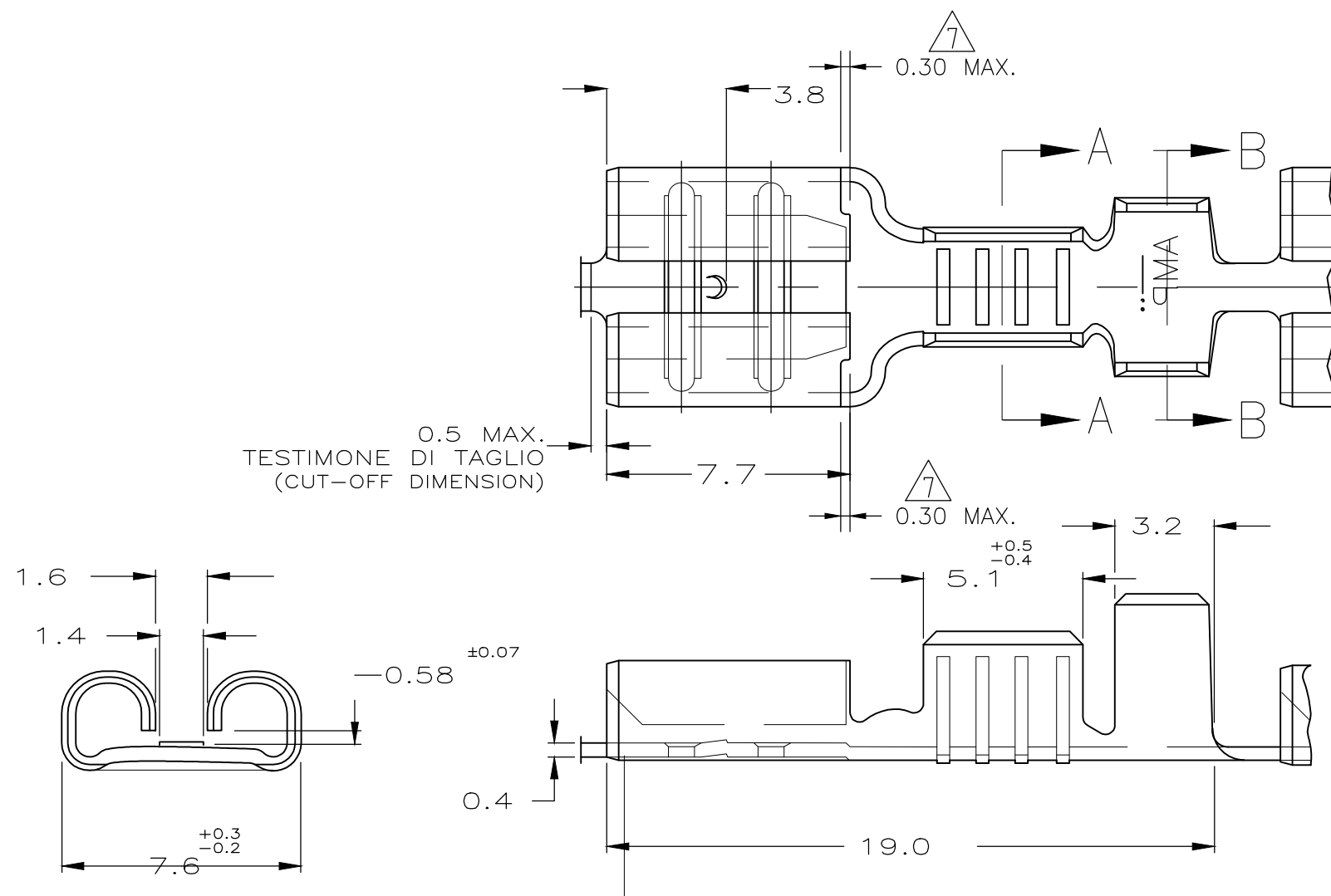
3) PER LE VERSIONI IN PEZZI SCIOLTI
VEDERE DISEGNO 160304
(FOR LOOSE PIECE VERSION SEE DRAWING 160304).

4) 115-16-1, GIUNZIONE MEDIANTE SALDATURA
(115-16-1, SPLICE FREE).

5 BOBINATO CON CARTA INTERPOSTA
(REELED WITH INTERLEAVE PAPER STRIP).

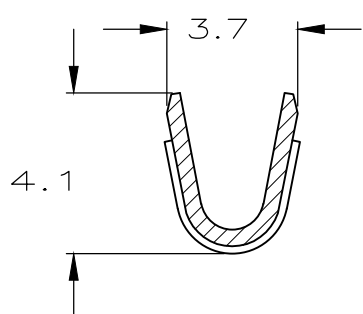
6 OBSOLETE PARTS: OBSOLETE CIS STREAMLINING PER D.RENAUD/D.SINISI

7 STEP IS ALLOWED BY 0.3mm MAX.
IT DOES NOT HAVE IMPACT ON PRODUCT FUNCTIONALITY.

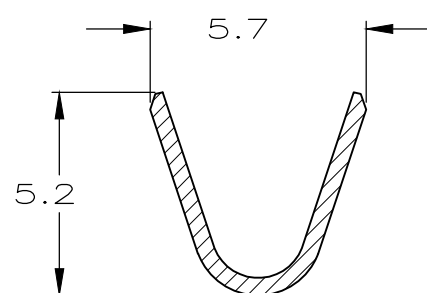


for 0.8 mm tab thickness.

SEZIONE A-A
(SECTION A-A)



SEZIONE B-B
(SECTION B-B)



6 OBSOLETE

6 OBSOLETE

NOTE	FINITURA / COLORE (FINISH / COLOUR)	MATERIALE (MATERIAL)	NUMERO (PART NO)	REV
5	STAGNATO (TIN PLATED)	BRONZO FOS. (PH. BRONZE)	9-160256-9	CU9
5	NUDO (UNPLATED)	BRONZO FOS. (PH. BRONZE)	4-160256-9	CU
	ARGENTATO (SILVER PLATED)	OTTONE (BRASS)	4-160256-7	CU
	NUDO (UNPLATED)	BRONZO FOS. (PH. BRONZE)	4-160256-5	CT
5	PRE NICHELATO (PRE NICKEL PLATED)	ACCIAIO (STEEL)	4-160256-2	CT
	STAGNATO (TIN PLATED)	BRONZO FOS. (PH. BRONZE)	3-160256-1	CT
	NUDO (UNPLATED)	BRONZO FOS. (PH. BRONZE)	2-160256-8	CT
5	STAGNATO (TIN PLATED)	OTTONE (BRASS)	2-160256-2	CU
	NUDO (UNPLATED)	OTTONE (BRASS)	2-160256-1	CT
	PRE NICHELATO (PRE NICKEL PLATED)	ACCIAIO (STEEL)	0-160256-5	CT

THIS DRAWING IS A CONTROLLED DOCUMENT.

DWN H. YAALI 27 JAN 2000

CHK C. TARTARI 26Jan2000

APVD -

PRODUCT SPEC -

APPLICATION SPEC -

WEIGHT 0.000000

CUSTOMER DRAWING

DIMENSIONS:	TOLERANCES UNLESS OTHERWISE SPECIFIED:
mm	
0 PLC	± 0.3
1 PLC	± -
2 PLC	± -
3 PLC	± -
4 PLC	± -
ANGLES	2° ±

MATERIAL	FINISH
-	-

DIAM. ISOLANTE (INS. DIA. RANGE)	RANGO FILO (WIRE RANGE)
3.0-4.3mm DIA.	1.0-2.5 mm2



FASTON® Connector,
.250 sr. REC. CONTACT.

SIZE	CAGE CODE	DRAWING NO	RESTRICTED TO
A3	00779	C-160256	-

SCALE	SHEET	REV
5:1	1 OF 1	CU10