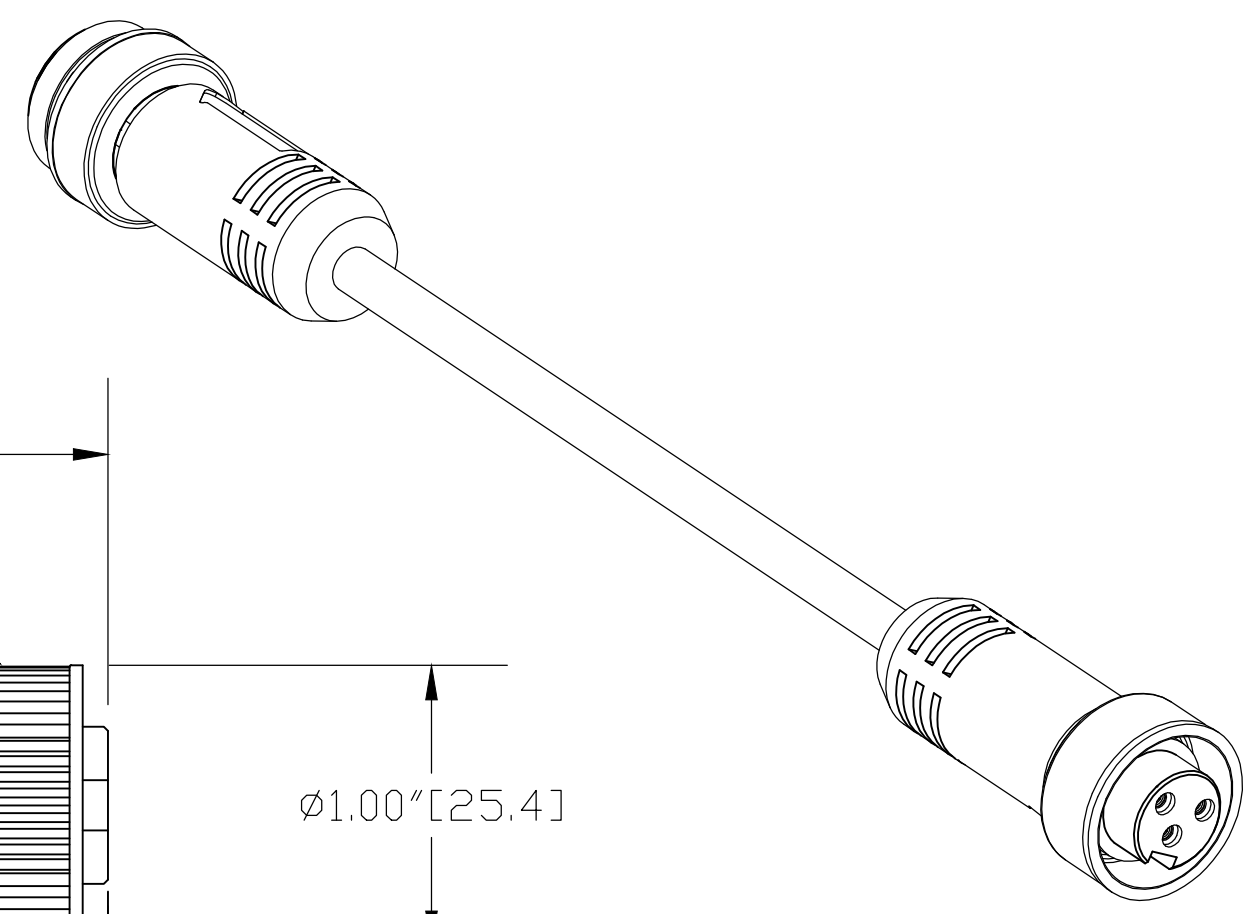
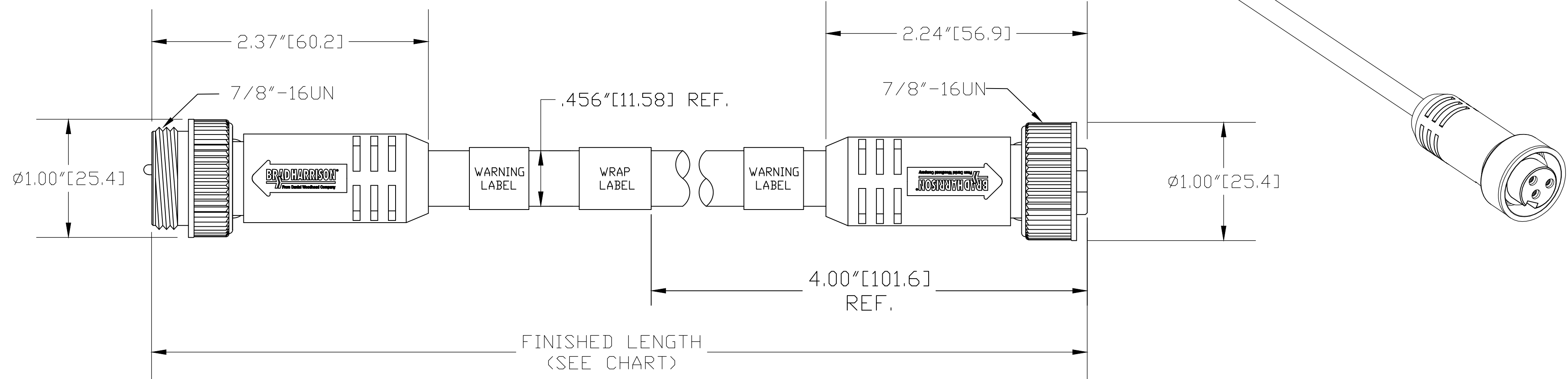


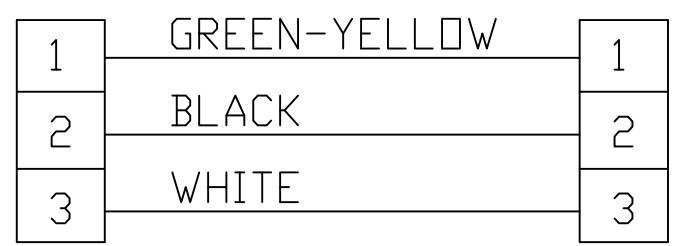
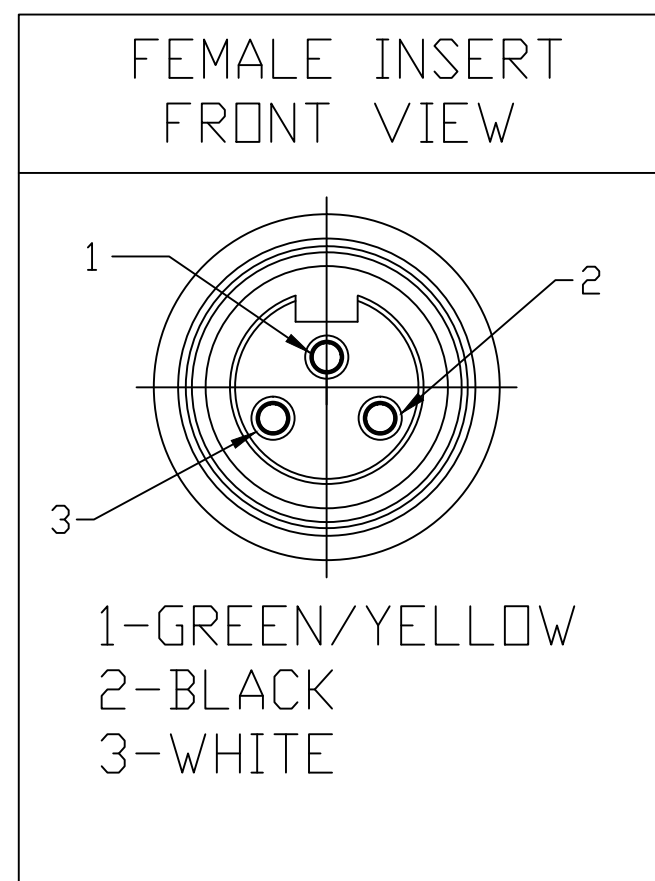
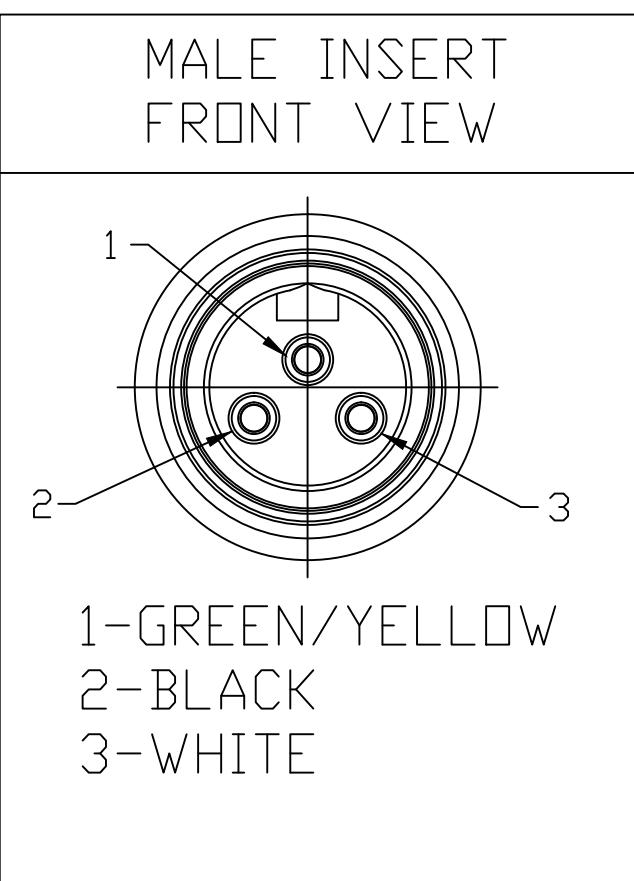
13	12	11	10	9	8	7	6	5	4	3	2	1
<b>MATERIAL NUMBER</b>	<b>OLD PART NUMBER</b>	<b>FINISHED LENGTH</b>										
130062-0032	113030A45M020	6.56' +3.50" -0 [2.0M +88.9mm -0]										



### 113030A45M020

Wire type  
16/3 AWG TC/ST00W  
Gray PVC

cable length  
M020----2 Meter  
M100----10 Meter



WIRING DIAGRAM

CONTACT:	GOLD/NICKEL OVER COPPER ALLOY
INSERT:	PVC, BLACK
COUPLING NUT:	ZINC DIE CAST, BLACK E-COATED
MOLDED BODY:	PVC, GRAY
VOLTAGE RATING:	600 VAC/VDC
AMPERAGE RATING:	13 AMPS
PROTECTION:	IP67
OPERATING TEMPERATURE:	-20°C TO 105°C
CERTIFICATIONS:	UL & CULUS LISTED, FILE NO. E258922

INITIAL RELEASE EC NO.: IPG2013-1910 DRWN: EBRACKEN 2013/06/20 CHKD: RSTONE APPR: BWOODMAN 2013/08/14	QUALITY SYMBOL 	GENERAL TOLERANCES (UNLESS SPECIFIED) <table border="1"> <tr> <td></td> <td>mm</td> <td>INCH</td> </tr> <tr> <td>4 PLACES</td> <td>±---</td> <td>±---</td> </tr> <tr> <td>3 PLACES</td> <td>±---</td> <td>±.005</td> </tr> <tr> <td>2 PLACES</td> <td>±0.13</td> <td>±.010</td> </tr> <tr> <td>1 PLACE</td> <td>±0.25</td> <td>±.020</td> </tr> </table>		mm	INCH	4 PLACES	±---	±---	3 PLACES	±---	±.005	2 PLACES	±0.13	±.010	1 PLACE	±0.25	±.020	DIMENSION STYLE <b>IN/MM</b>	SCALE ---	DESIGN UNITS <b>INCH</b>	THIRD ANGLE PROJECTION 
		mm	INCH																		
	4 PLACES	±---	±---																		
	3 PLACES	±---	±.005																		
2 PLACES	±0.13	±.010																			
1 PLACE	±0.25	±.020																			
DRAWN BY <b>EBRACKEN</b>	DATE <b>2013/06/18</b>	TITLE <b>MINI-CHANGE ASSEMBLY 3 POLE M/MFE #16/3 GRAY PVC</b>																			
CHECKED BY <b>RSTONE</b>	DATE ----	<b>MOLEX INCORPORATED</b>																			
APPROVED BY <b>BWOODMAN</b>	DATE <b>2013/08/14</b>	MATERIAL NO. <b>SEE CHART</b>	DOCUMENT NO. <b>SD-130062-014</b>	SHEET NO. <b>1 OF 1</b>																	
DRAFT WHERE APPLICABLE MUST REMAIN WITHIN DIMENSIONS																					
THIS DRAWING CONTAINS INFORMATION THAT IS PROPRIETARY TO MOLEX INCORPORATED AND SHOULD NOT BE USED WITHOUT WRITTEN PERMISSION																					