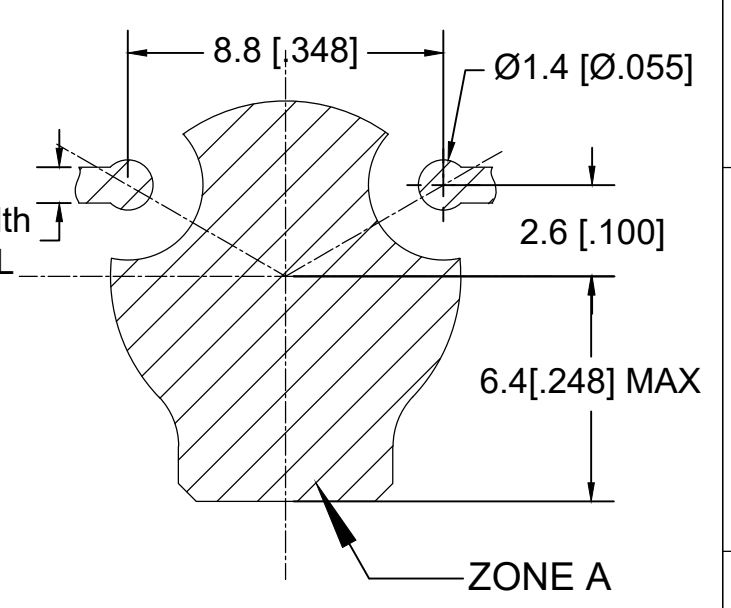
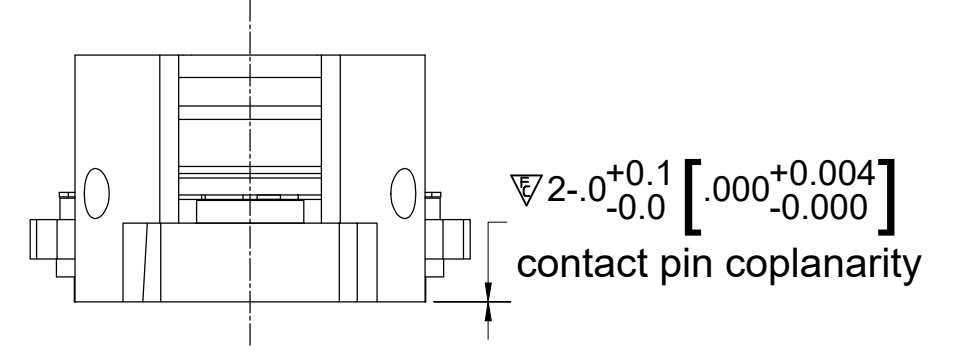


RECOMMENDED LAND PATTERN :
 Zone A must be attached to heat sink. Thermal conductivity of intermediate layers between Zone A and heat sink must be better than 0.1 W / [°C x mm].



PCB Material :Rogers RO4350B,0.508mm thickness
 trace width 1.07mm wide.



ELECTRICAL SPECIFICATIONS :

Frequency Range	: 3400~3800 MHz
Insertion Loss	: 0.30 dB Max
Isolation	: 20 dB Min
Return Loss(Input/Output)	: 20 dB Min
Peak Power Handling	: 30 W
Power Handling Average	: 20W
Max Reflected Power	: 4W
FWD IMD3 (2x5W)	: -60 dBc Max
Operating Temperature	: -40°C to +105°C
Direction	: CW

MATERIAL :
 BODY : STEEL, SILVER PLATED
 PIN : COPPER , SILVER PLATED
NOTES :

- 1.STANDARD INPUT/OUTPUT IMPEDANCE 50 Ohm
- 2.LEAD FREE, NO Nd MATERIAL, BeO FREE
- 3.THE DIMENSION OF DATA MATRIX IS 3.0X3.0MM INFORMATION INCLUDING WORK ORDER NUMBER-SERIAL NUMBER-MATERIAL NUMBER
- 4.THIS PART COMPLIES WITH ALL RoHS REQUIREMENTS

FOR INFORMATION USE ONLY

ENG PART#: 801-340-380-VT040

FUNCTIONAL SYMBOLS FA=0 FE=0 FP=0	THIS DRAWING CONTAINS INFORMATION THAT IS PROPRIETARY TO MOLEX ELECTRONIC TECHNOLOGIES, LLC AND SHOULD NOT BE USED WITHOUT WRITTEN PERMISSION		CURRENT REV DESC: INITIAL RELEASE		molex
	DIMENSION UNITS MM	SCALE 1:1	GENERAL TOLERANCES (UNLESS SPECIFIED)		
	4 PLACES ±0.005 ±----		EC NO: ----		
	3 PLACES ±0.025 ±----		DRWN: SREN05 2021/11/12		
DIVISIONAL SYMBOLS	2 PLACES ±0.13 ±----		CHK'D: JLI252 2022/01/10		SMSJ ISOLATOR/3400~3800MHZ/CW
	1 PLACE ±0.2 ±----		APPR: ----		
	0 PLACES ±0.4 ±----		INITIAL REVISION: DRWN: SREN05 2021/11/12		
	ANGULAR TOL ± 1.5 °		APPR: ----		
DRAFT WHERE APPLICABLE MUST REMAIN WITHIN DIMENSIONS		THIRD ANGLE PROJECTION	DRAWING A3-SIZE	SERIES 73591	MATERIAL NUMBER 0735912038
DOCUMENT STATUS		ER	RELEASE DATE	2022/01/10 05:10:22	RESTRICTED PRODUCT CUSTOMER DRAWING
FORMAT: ACAD-ib-prod-A3		REVISION: 5	DATE: 2020/11/14		DOCUMENT NUMBER 735912038
					DOC TYPE PSD
					DOC PART 000
					REVISION 1
					CUSTOMER CUSTOM PART
					SHEET NUMBER 1 OF 1