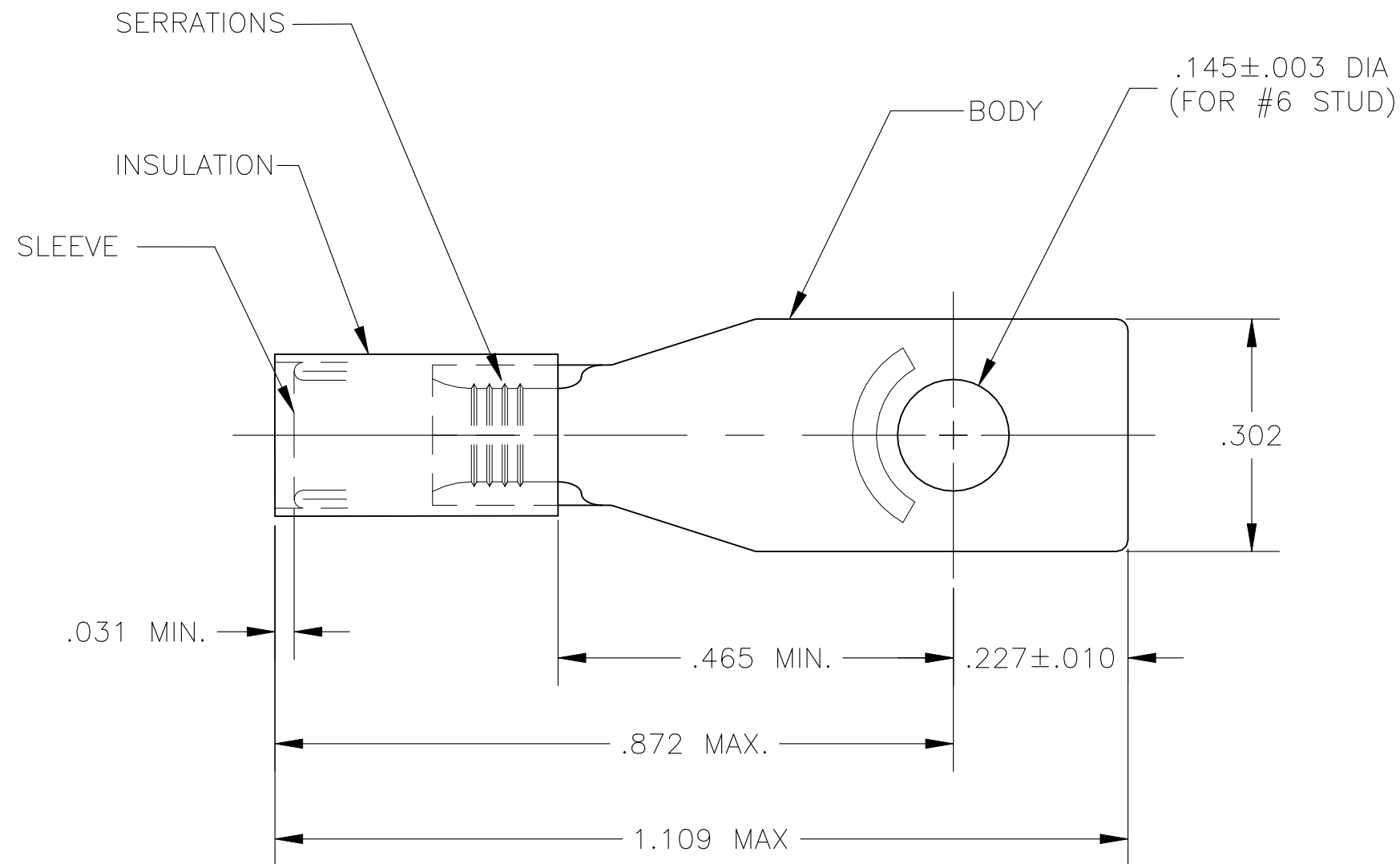


REVISIONS					
P	LTR	DESCRIPTION	DATE	DWN	APVD
	J4	REVISED PER ECN-22-156403	06JUN2022	RK	CSD



- 1 WIRE INSULATION DIA = .105 TO .140
- 2 TONGUE MATERIAL THK. = .031±.002
- 3 MARKING 22-18 FOR MILITARY COMMERCIAL RANGE 22-16
- △4 FINISH: TIN PLATE (MIL-T-10727) .000100 MIN THK.
- △5 INSULATION PVC-RED
- △6 INSULATION NYLON MIL-M-20693 TYPE I RED
- △7 SUPERSEDED BY 2-327938-1
- △8 MEETS MS17143-4, CLASS 1
- 9 NOTE DELETED

OBSOLETE	△4	△6	100	ON TAPE, SM BOX	2-327938-5
OBSOLETE	△4	△6	1000	ON TAPE, LG BOX	2-327938-4
	△7	△4	△6	5000	ON TAPE, REEL
		△4	△6	-	LOOSE PIECE
					△8 2-327938-1
OBSOLETE	△4	△5	-	LOOSE PIECE	327938
	BODY FINISH	INSUL. MATL.	QTY	DESCRIPTION	PART NO

THIS DRAWING IS A CONTROLLED DOCUMENT.		DWN RAGHAVENDRA 09JUN08	TE Connectivity		
DIMENSIONS: INCHES		CHK T MICHIELUTTI 09JUN08			
TOLERANCES UNLESS OTHERWISE SPECIFIED:		APVD T MICHIELUTTI 09JUN08	NAME		
0 PLC ± - 1 PLC ± - 2 PLC ± - 3 PLC ± .008 4 PLC ± - ANGLES ± -		PRODUCT SPEC	TERMINAL, PIDG, RECTANGULAR TONGUE WIRE SIZE : 22-16		
MATERIAL SEE TABLE		FINISH SEE TEBLE	APPLICATION SPEC	SIZE	CAGE CODE
			WEIGHT	A3	00779
				DRAWING NO C-327938	
				RESTRICTED TO	
				SCALE	SHEET
				5:1	1 OF 1
				REV	J4
				CUSTOMER DRAWING	