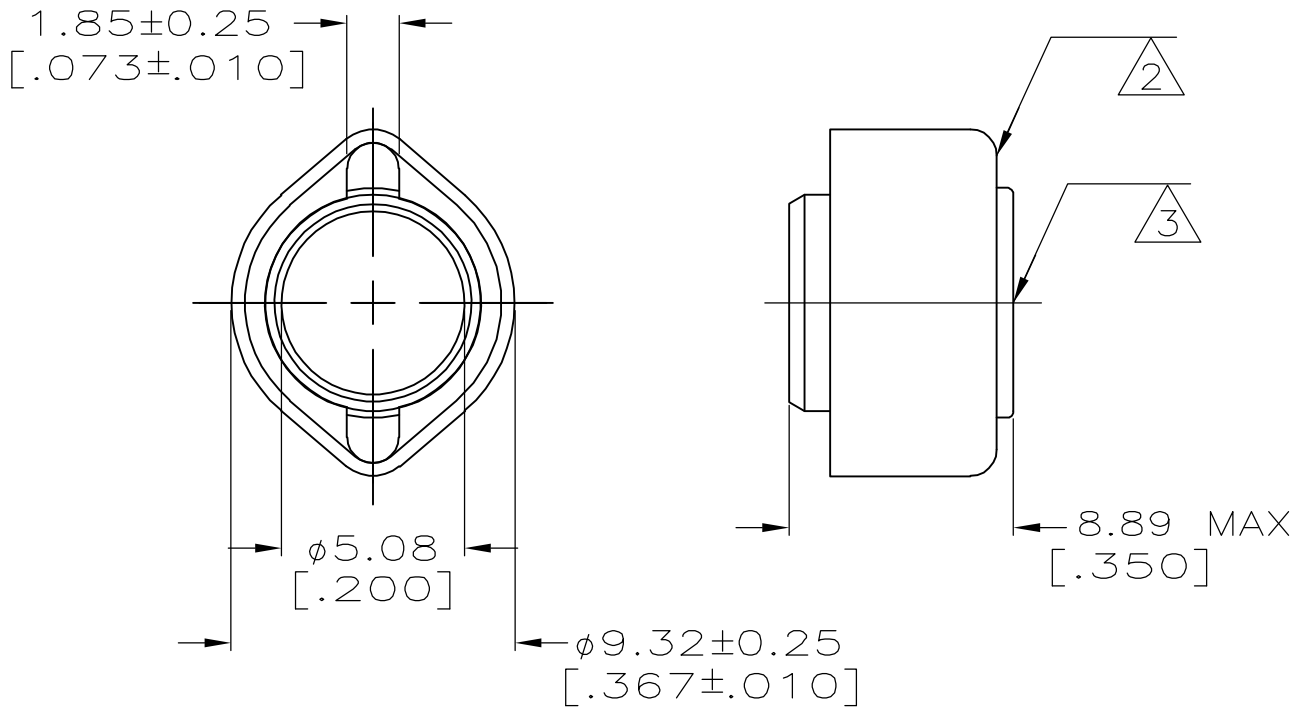


LOC	DIST	REVISIONS					
AJ	16	P	LTR	DESCRIPTION	DATE	DWN	APVD
		A		REVISED PER EC OS14-0150-05	12JAN2005	REH	JL



INSULATION SIZE: 3.68-4.67 DIA
[.145-.184]

- ① ZINC PLATE PER QQ-Z-325
- ② COPPER PER QQ-C-576
- ③ BRASS PER ASTM-B-16

RELEASED FOR PUBLICATION

ALL RIGHTS RESERVED.

BY TYCO ELECTRONICS CORPORATION.

THIS DRAWING IS UNPUBLISHED.

①	5327138
FINISH	PART NUMBER

DIMENSIONS: mm [INCHES]	DWN L. VARELA - DOCK5	21APR2005	MATERIAL	SEE NOTES	FINISH	-
	CHK J. HAVENER	21APR2005	Tyco Electronics Corporation Harrisburg, PA 17105-3608			
TOLERANCES UNLESS OTHERWISE SPECIFIED:	APVD J. LIPPERT	21APR2005				
0 PLC ± -	PRODUCT SPEC		NAME			
1 PLC ± -	-		FERRULE ASSEMBLY, TERMASHIELD			
2 PLC ± -	APPLICATION SPEC		-			
3 PLC ± .005	-		SIZE	CAGE CODE	DRAWING NO	RESTRICTED TO
4 PLC ± -	-		A4	00779	C-5327138	-
ANGLES ± -	WEIGHT		-			
			CUSTOMER DRAWING		SCALE	4:1
			SHEET		1 OF 1	REV A