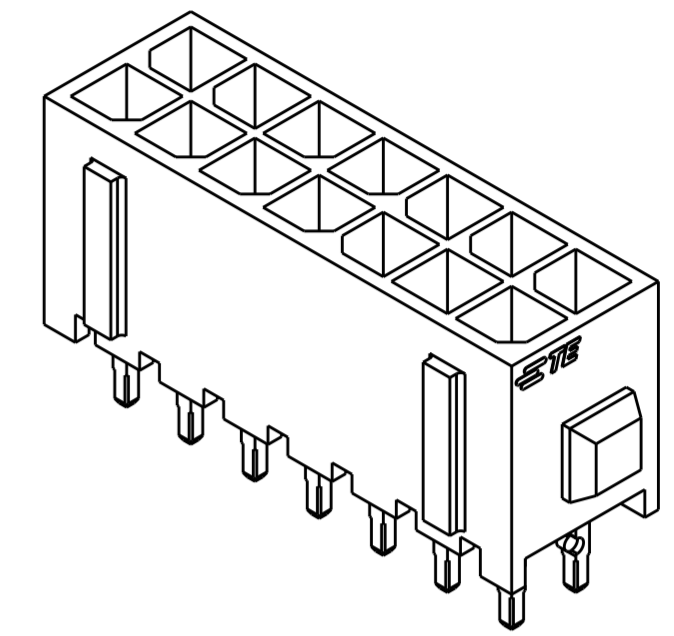
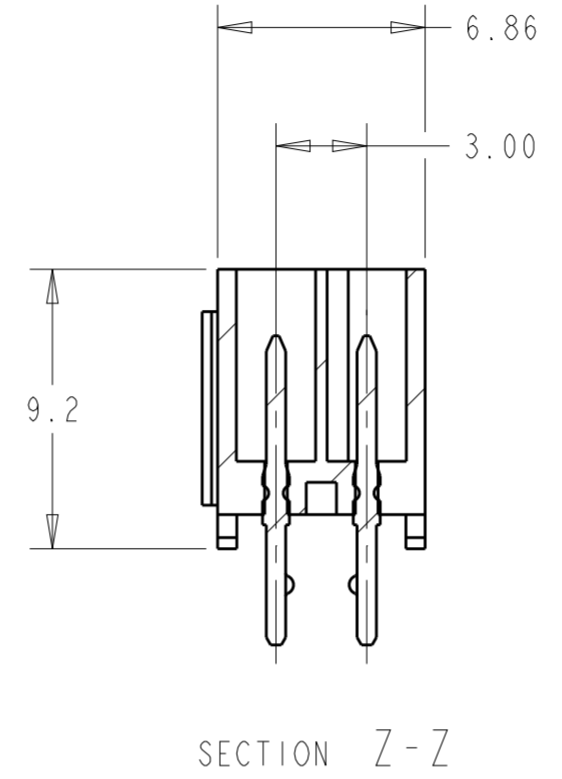
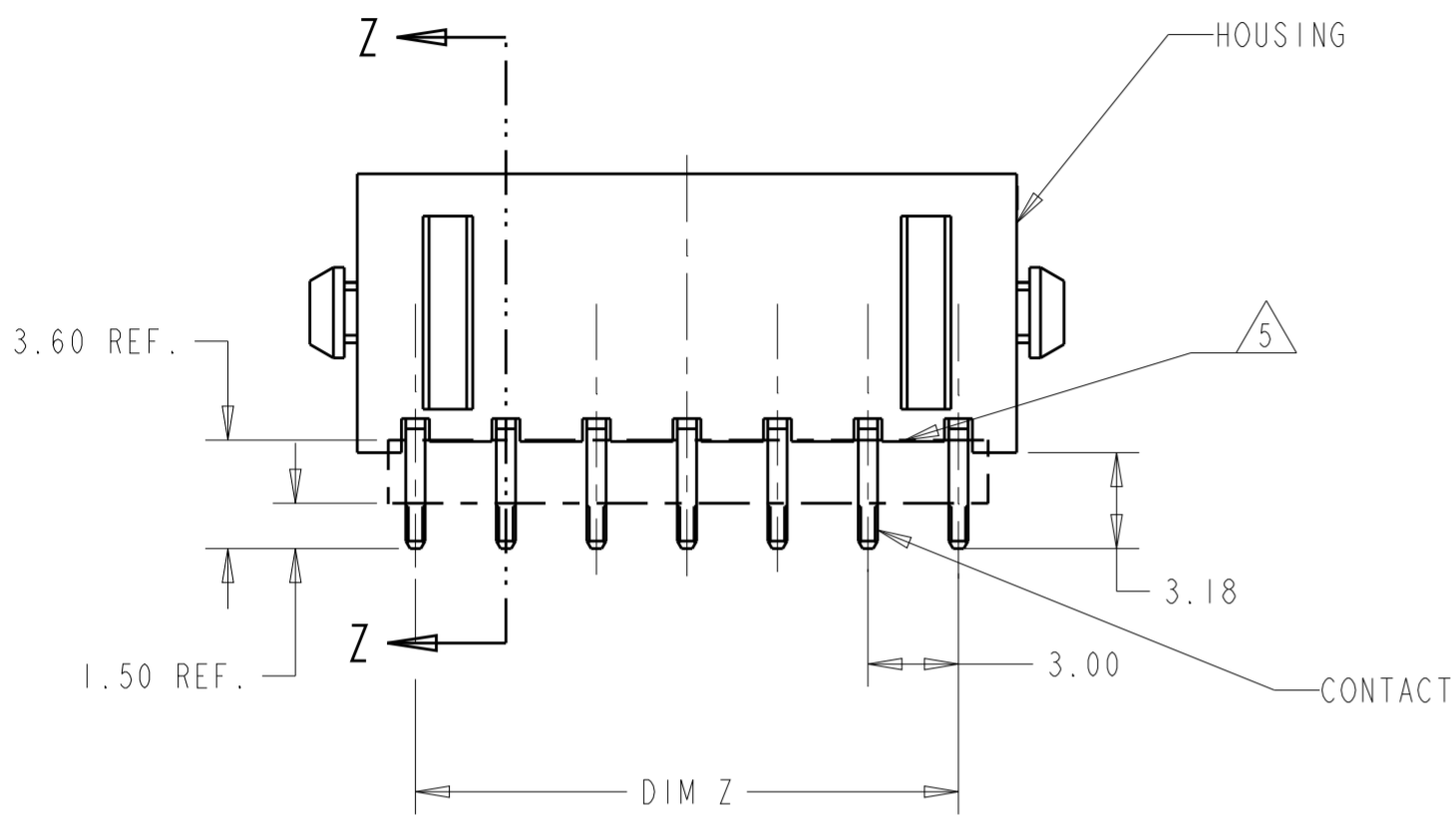
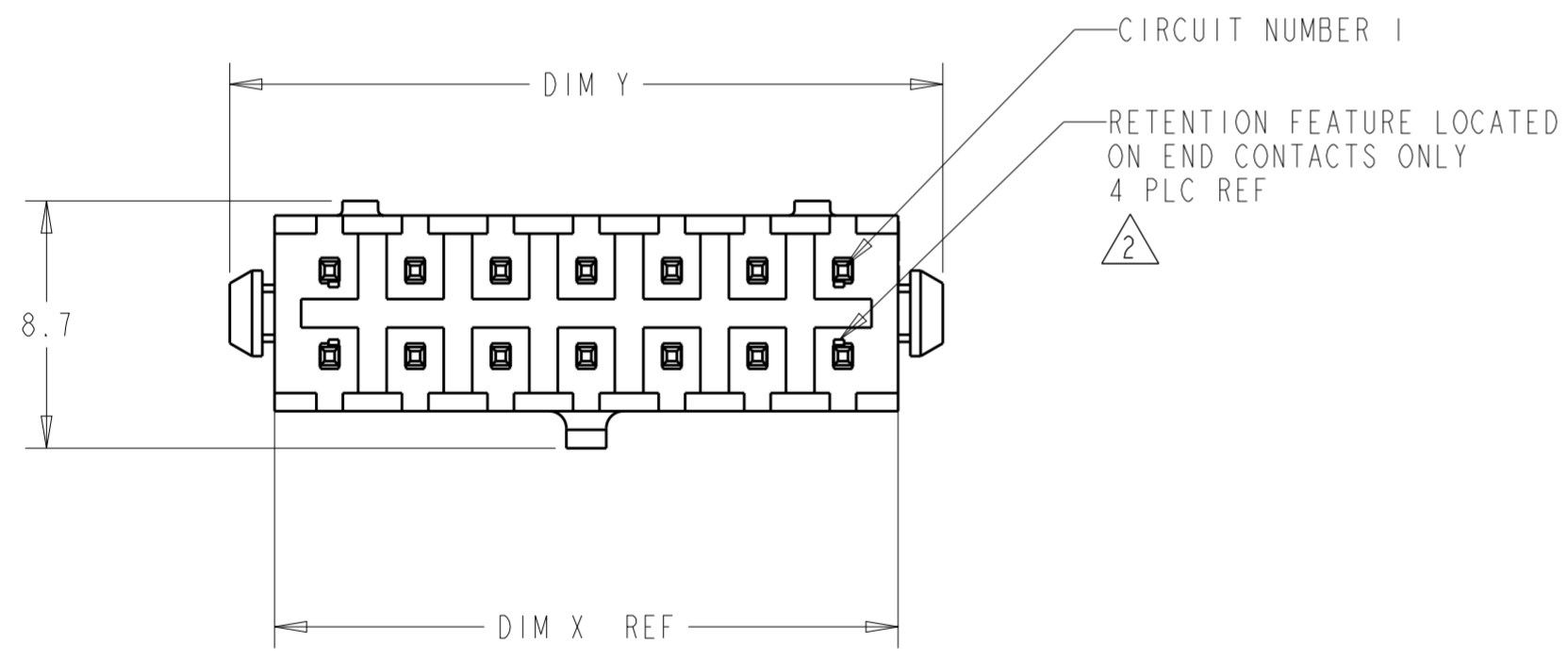


THIS DRAWING IS UNPUBLISHED. RELEASED FOR PUBLICATION
 © COPYRIGHT 20 BY - ALL RIGHTS RESERVED.

| REVISIONS | | | | |
|-----------|-----|---------------------------|-----------|--------|
| P | LTR | DESCRIPTION | DATE | APVD |
| E1 | | REVISED PER ECR-16-011494 | 21JUN2017 | NK CX |
| E2 | | ECO-19-006502 | 25APR2019 | AP WLS |
| E3 | | REVISED PER ECN-20-100750 | 10DEC2020 | WLS VS |



- 1 MATERIAL: HOUSING - UL 94V-0 RATED HIGH TEMP. , NYLON, COLOR BLACK.
CONTACT - BRASS.
- 2 MAXIMUM INSERTION 30 LBS.
- 3 RECOMMENDED BOARD THICKNESS 1.57.
- 4 FINISHING: CONTACT - 0.38µm MINIMUM GOLD ON MATING AREA.
2.54µm MINIMUM MATTE TIN ON SOLDER TAILS.
ALL OVER 1.27µm MINIMUM NICKEL.
- 5 CUTTING AREA REGION, NO PLATING IS PRESENT.
- 6 COUNTERPART RECOMMENDED IS PN 794617 (DASH ACCORDING TO NUMBER OF POSITION).
- 7 FOR REELING DIRECTION AND PACKAGING TYPE, SEE SPECIFICATION 114-13000.

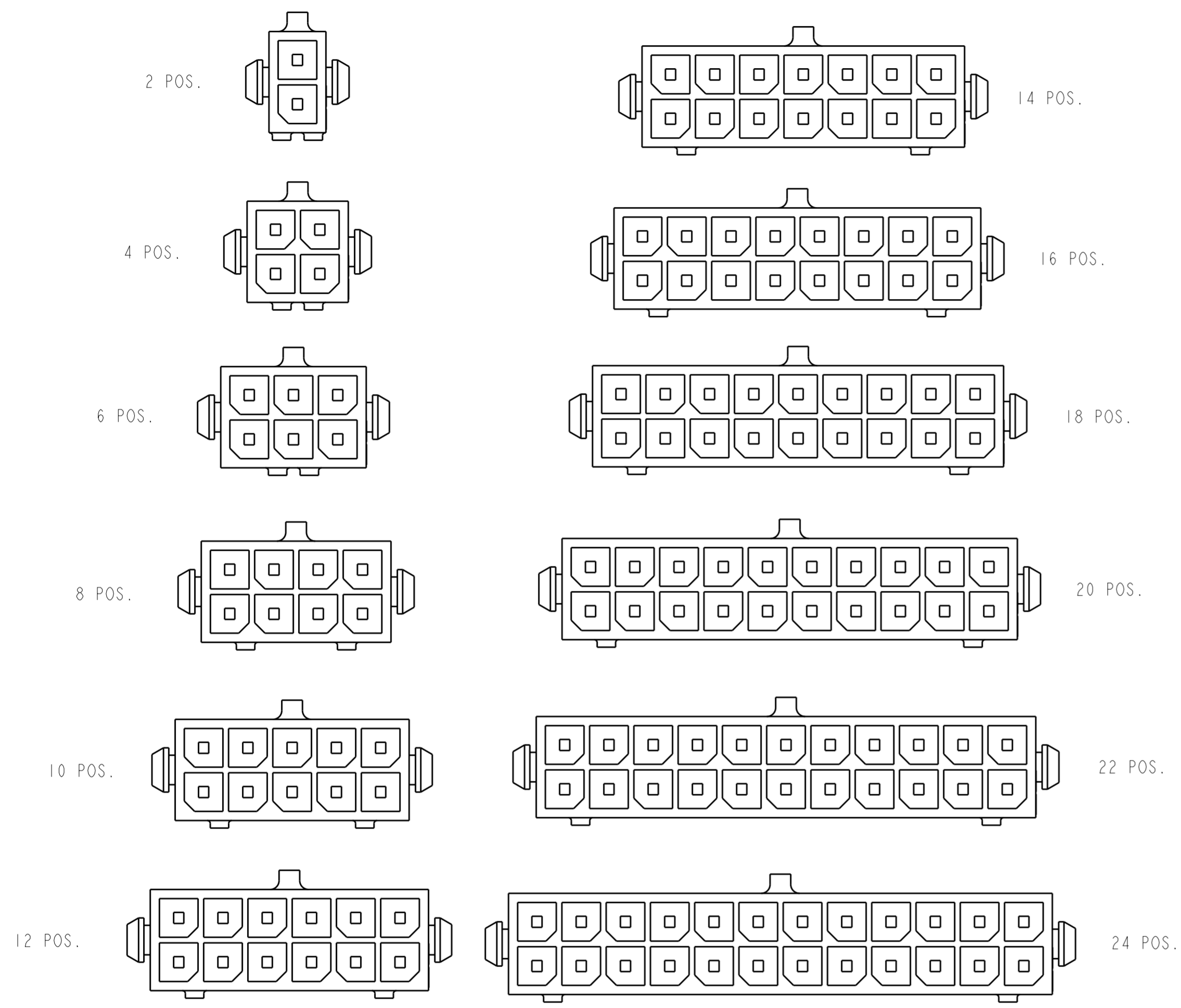


| | | | | |
|-------|-------|-------|--------------|-------------|
| 40.00 | 33.00 | 36.86 | 24 | 5-794631-4 |
| 37.00 | 30.00 | 33.86 | 22 | 5-794631-2 |
| 34.00 | 27.00 | 30.86 | 20 | 5-794631-0 |
| 31.00 | 24.00 | 27.86 | 18 | 4-794631-8 |
| 28.00 | 21.00 | 24.86 | 16 | 4-794631-6 |
| 25.00 | 18.00 | 21.86 | 14 | 4-794631-4 |
| 22.00 | 15.00 | 18.86 | 12 | 4-794631-2 |
| 19.00 | 12.00 | 15.86 | 10 | 4-794631-0 |
| 16.00 | 9.00 | 12.86 | 8 | 3-794631-8 |
| 13.00 | 6.00 | 9.86 | 6 | 3-794631-6 |
| 10.00 | 3.00 | 6.86 | 4 | 3-794631-4 |
| 7.00 | - | 3.86 | 2 | 3-794631-2 |
| DIM Y | DIM Z | DIM X | NO. OF POSN. | PART NUMBER |

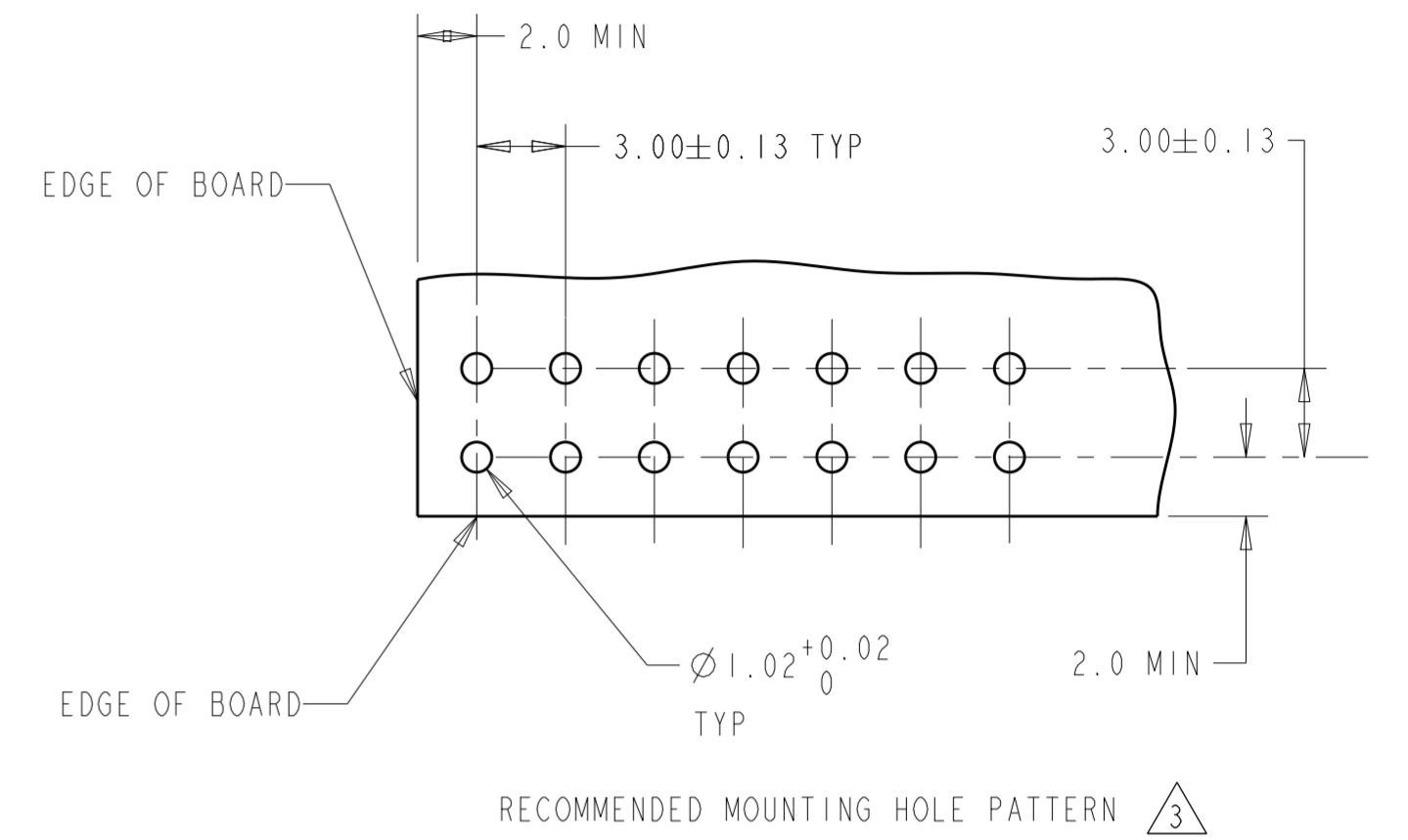
| | | | | |
|---|--|-------------------------------|---|----------------------|
| THIS DRAWING IS A CONTROLLED DOCUMENT. | | DWN B. HAYMAKER 16AUG99 | TE Connectivity | |
| DIMENSIONS: mm [INCHES] | | CHK K. COBLE 16AUG99 | | |
| TOLERANCES UNLESS OTHERWISE SPECIFIED: | | APVD K. COBLE 16AUG99 | NAME VERTICAL HEADER ASSEMBLY, THRU HOLE, 15 GOLD, DUAL ROW, MICRO MATE-N-LOK™ | |
| 0 PLC ± 1 PLC ± 2 PLC ±0.20 [0.008] 3 PLC ± 4 PLC ± | | PRODUCT SPEC 108-1836 | SIZE A2 | |
| ANGLES ±° FINISH | | APPLICATION SPEC 114-13000 | CAGE CODE 00779 | DRAWING NO 794631 |
| MATERIAL | | WEIGHT - | RESTRICTED TO - | SCALE 4:1 |
| CUSTOMER DRAWING | | SHEET 1 OF 2 | | REV E3 |

THIS DRAWING IS UNPUBLISHED. RELEASED FOR PUBLICATION
 © COPYRIGHT 20 BY - ALL RIGHTS RESERVED.

| REVISIONS | | | | |
|-----------|-----|-------------|------|------|
| P | LTR | DESCRIPTION | DATE | APVD |
| - | - | SEE SHEET 1 | - | - |
| | | | | |
| | | | | |



KEYING BY POSITION SIZE



| | | | |
|--|---|---|--|
| THIS DRAWING IS A CONTROLLED DOCUMENT. | | DWN B. HAYMAKER 16AUG99 | TE Connectivity |
| DIMENSIONS: mm [INCHES] | | CHK K. COBLE 16AUG99 | |
| TOLERANCES UNLESS OTHERWISE SPECIFIED: | | APVD K. COBLE 16AUG99 | |
| 0 PLC ± 1 PLC ± 2 PLC ±0.20 [.008] 3 PLC ± 4 PLC ± ANGLES ±1° FINISH - | | PRODUCT SPEC 108-1836 APPLICATION SPEC 114-13000 WEIGHT - | |
| MATERIAL | - | CUSTOMER DRAWING | NAME VERTICAL HEADER ASSEMBLY, THRU HOLE, 15 GOLD, DUAL ROW, MICRO MATE-N-LOK SIZE CAGE CODE DRAWING NO RESTRICTED TO A2100779 C-794631 - |
| SCALE 3:1 SHEET 2 OF 2 REV E3 | | | |