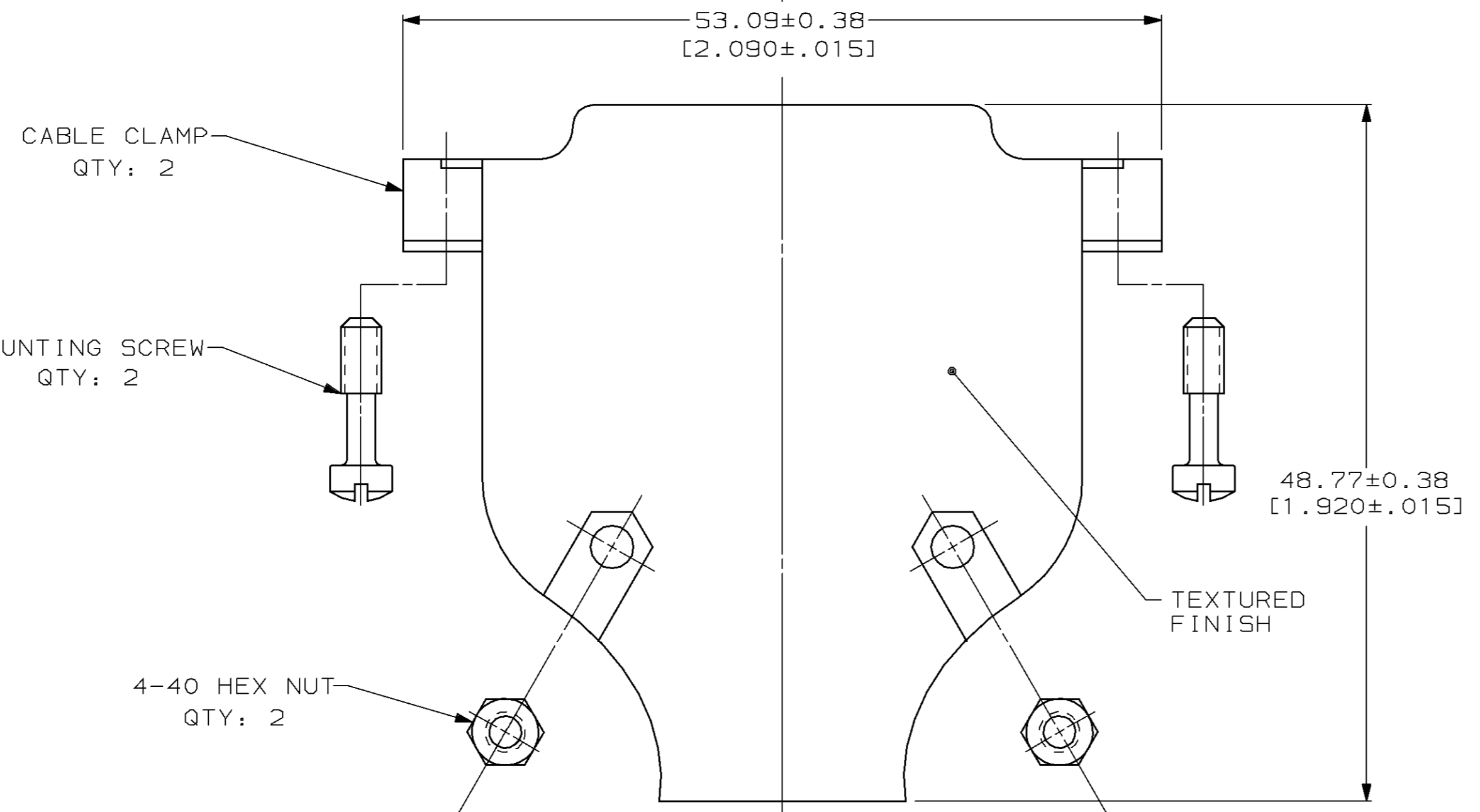
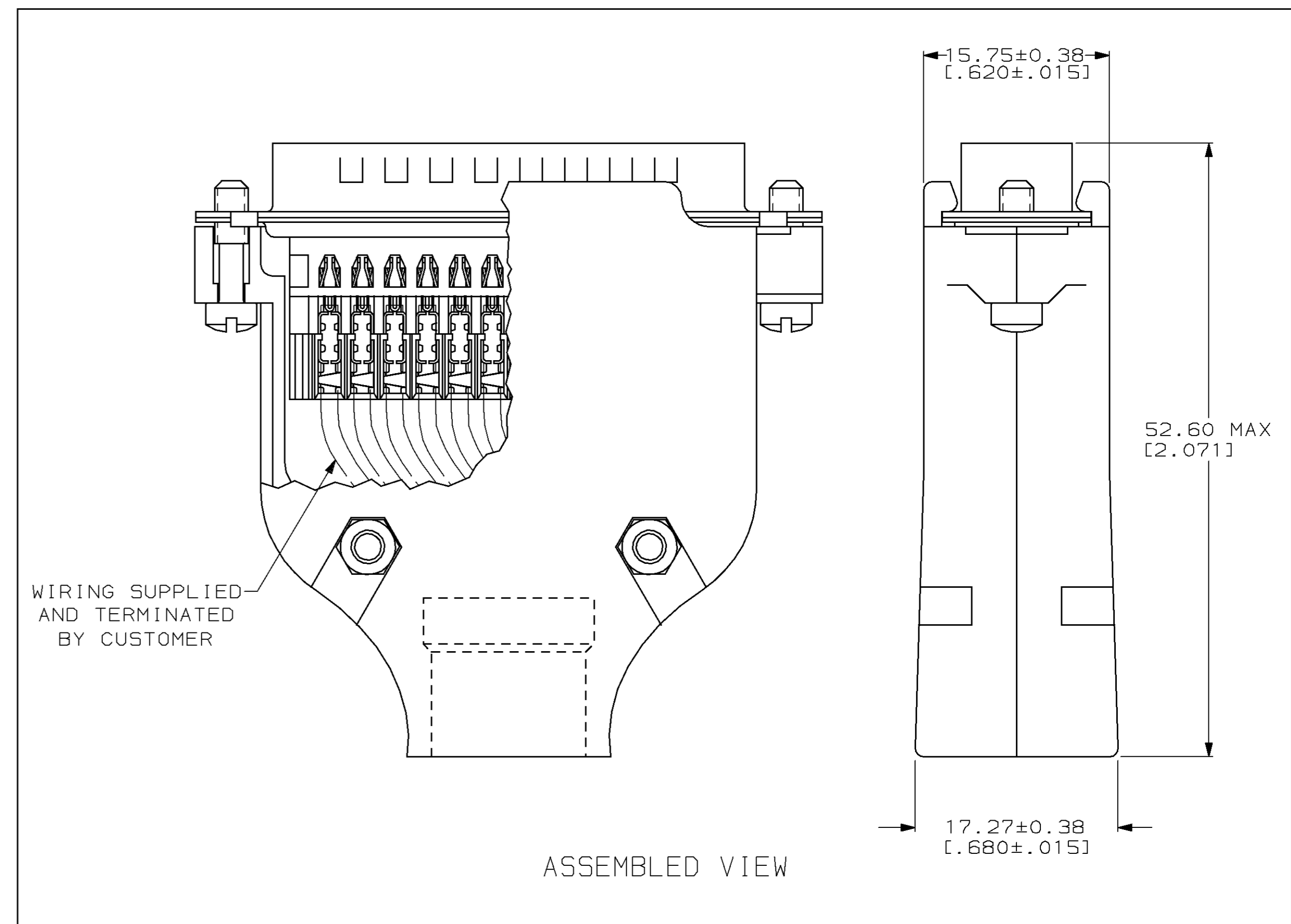
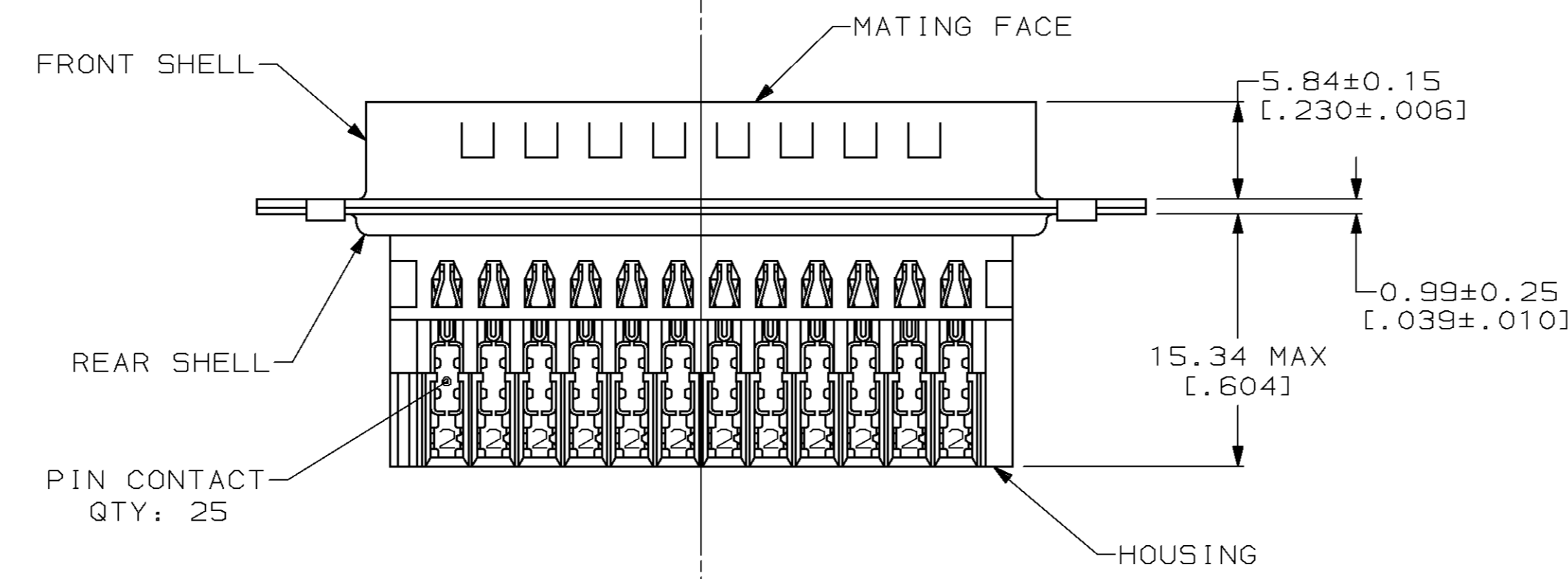
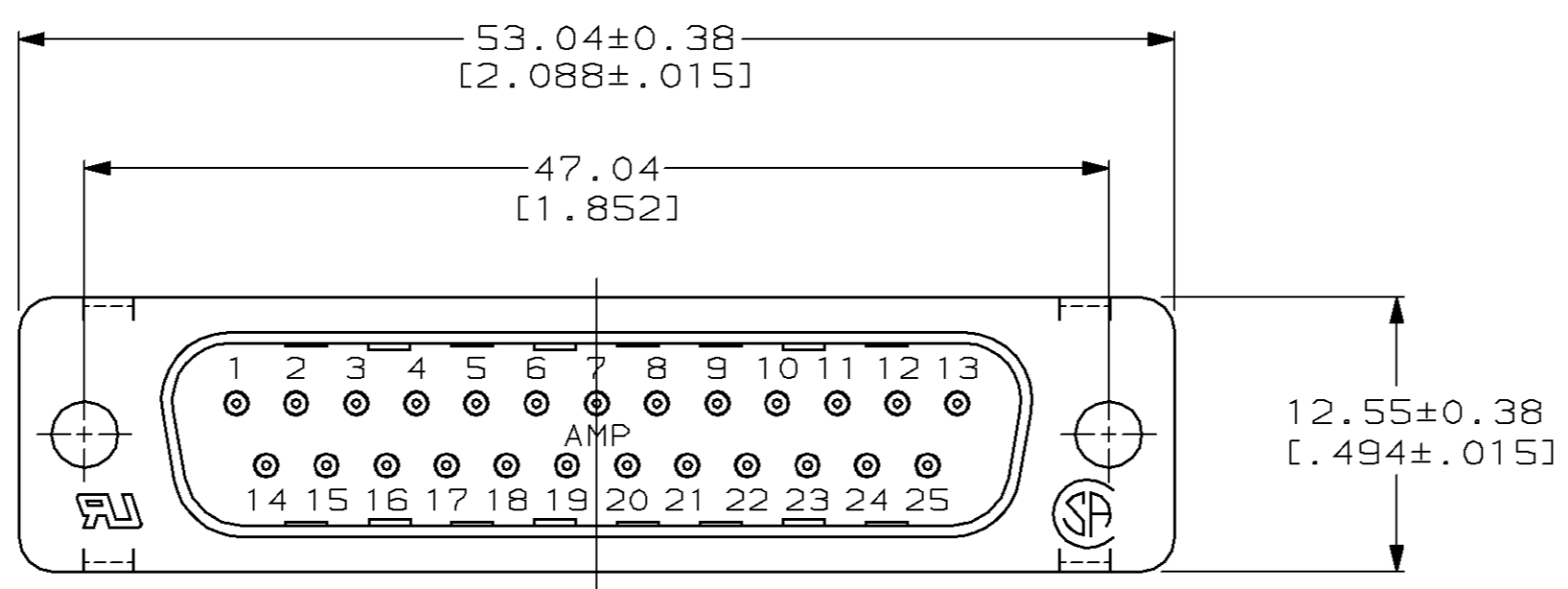
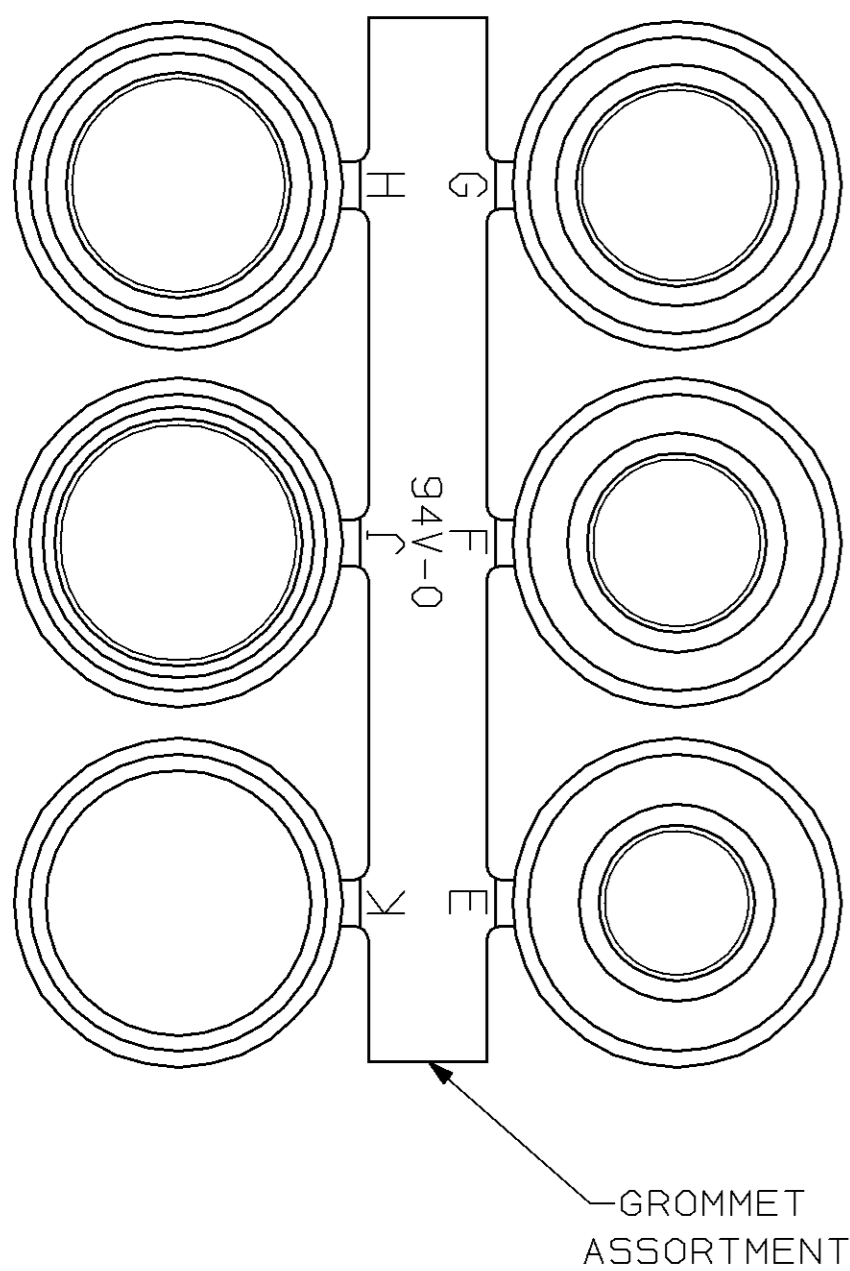
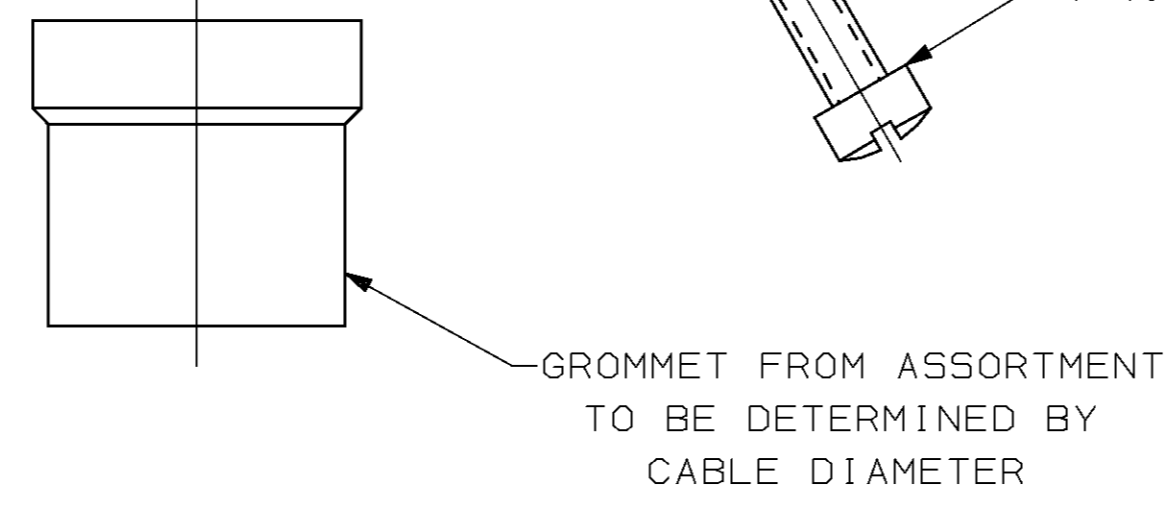


LOC		DIST		P		F		ZONE		LTR		REVISIONS			
BD												DESCRIPTION	DATE	APPD	
												0	RELEASED -6 PER NPR 4777, WAS 93-5870-1-6	06/09/93	-
												A	REV PER EC 0020-309-95	05/04/95	JS
												B	REV PER EC 0020-881-95	25 AUG 95	JS



1. CONTACTS ACCEPT 22-26 AWG RANGE.
2. POLYESTER OR NYLON, GLASS FILLED, UL 94V-0 RATED, BLACK.
3. PVC, UL 94V-0 RATED, BLACK.
4. PHOSPHOR BRONZE PER ASTM B 103.
5. CARBON STEEL.
6. CABLE CLAMPS: ZINC; SCREWS & NUTS: CARBON STEEL.
7. GOLD PLATING PER MIL-G-45204; NICKEL PLATING PER QQ-N-290; TIN PLATING PER MIL-T-10727; COPPER PLATING PER MIL-C-14550; ZINC PLATING PER ASTM B633, TYPE III, CLASS SC1, CLEAR CHROMATE.
8. GOLD FLASH FOR A LENGTH OF 3.81 [0.150] MIN FROM MATING END, 2.54µm [0.000100] MIN TIN OR TIN-LEAD ON OPPOSITE END FOR A LENGTH OF 6.60 [0.260] MIN, BOTH OVER 0.76µm [0.000030] MIN NICKEL ON ENTIRE CONTACT.
9. 5.08µm [0.000200] MIN TIN OVER 1.27µm [0.000050] MIN COPPER.
10. MOUNTING SCREWS & NUTS: 3.81µm [0.000150] MIN ZINC; FILISTER HEAD SCREWS: ZINC.



THIS DRAWING IS A CONTROLLED DOCUMENT FOR AMP INCORPORATED. IT IS SUBJECT TO CHANGE AND THE CONTROLLING ENGINEERING ORGANIZATION SHOULD BE CONTACTED FOR THE LATEST REVISION.

DO NOT SCALE PRINT. UNLESS SPECIFIED DIMENSIONS IN mm [INCHES]		DR 06/09/93 D. GELTZ		SMALL PACK		749810-6	
TOLERANCES ON:		CHK 6-17-93 R. STONE		PACKAGING TYPE		PART NO	
1 PLC DEC ± 0.13 [0.005]		APPD 6-25-93 S. BRINSER		AMP Incorporated Harrisburg, PA 17105-3608			
2 PLC DEC ± 0.13 [0.005]		APPD 6-25-93 S. BRINSER					
3 PLC DEC ± 0.13 [0.005]		APPD 6-25-93 S. BRINSER		NAME			
ANGLES ± -		PRODUCT SPEC		PLUG KIT, UNASSEMBLED, SIZE 3, 25 POSITION, METAL SHELL, AMPLIMITE™ HDE-20			
MATERIAL		APPLICATION SPEC		SIZE			
HOUSING: 2		114-40003		D		CAGE CODE	
GROMMETS: 3				D		00779	
CONTACTS: 4				SCALE		3:1	
SHELLS: 3				DRAWING NO		C-749810-6	
FINISH				SHEET		1 OF 1	
SHELLS: 3				CUSTOMER DRAWING			
HARDWARE: 10							