

THIS DRAWING IS UNPUBLISHED.

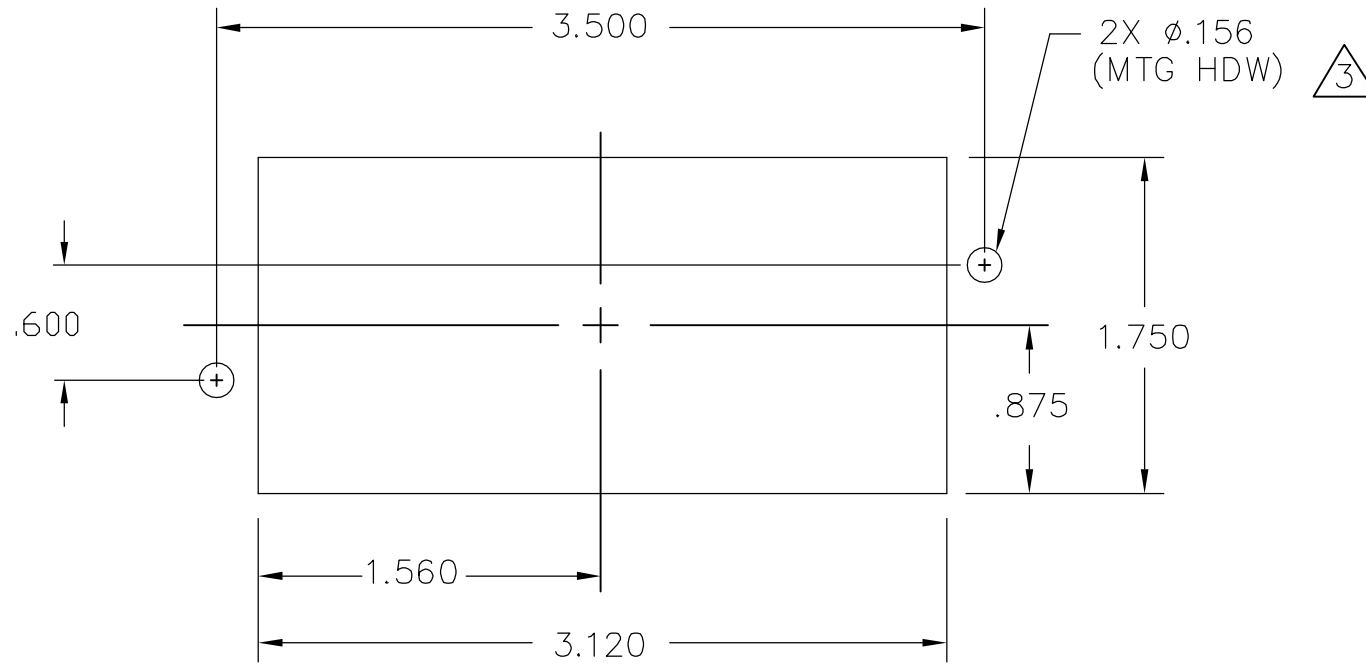
RELEASED FOR PUBLICATION

© COPYRIGHT - BY TYCO ELECTRONICS CORPORATION. ALL RIGHTS RESERVED.


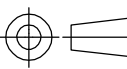
LOC GP DIST 00

REVISIONS

P	LTR	DESCRIPTION	DATE	DWN	APVD
-	-	SEE SHEET 1	-	-	-



PIN PANEL MOUNT CUTOUT
SCALE: NONE

THIS DRAWING IS A CONTROLLED DOCUMENT.		DWN R.GRZYBOWSKI 12APR2007	 Tyco Electronics Corporation Harrisburg, PA 17105-3608		
DIMENSIONS: INCHES		CHK D.ORRIS 12APR07	NAME		
		APVD S.FLICKINGER 12APR07	PIN CONNECTOR DOMINO W/ PANEL CUT-OUT		
TOLERANCES UNLESS OTHERWISE SPECIFIED:		PRODUCT SPEC	SIZE	CAGE CODE	DRAWING NO
0 PLC	± -	APPLICATION SPEC	A3	00779	C-6646117
1 PLC	± -	WEIGHT	RESTRICTED TO		
2 PLC	± .02		-		
3 PLC	± .010		-		
4 PLC	± -		-		
ANGLES	± -		-		
MATERIAL	FINISH		-		
-	-		-		
CUSTOMER DRAWING			SCALE	SHEET	REV
			1:1	2 OF 2	A