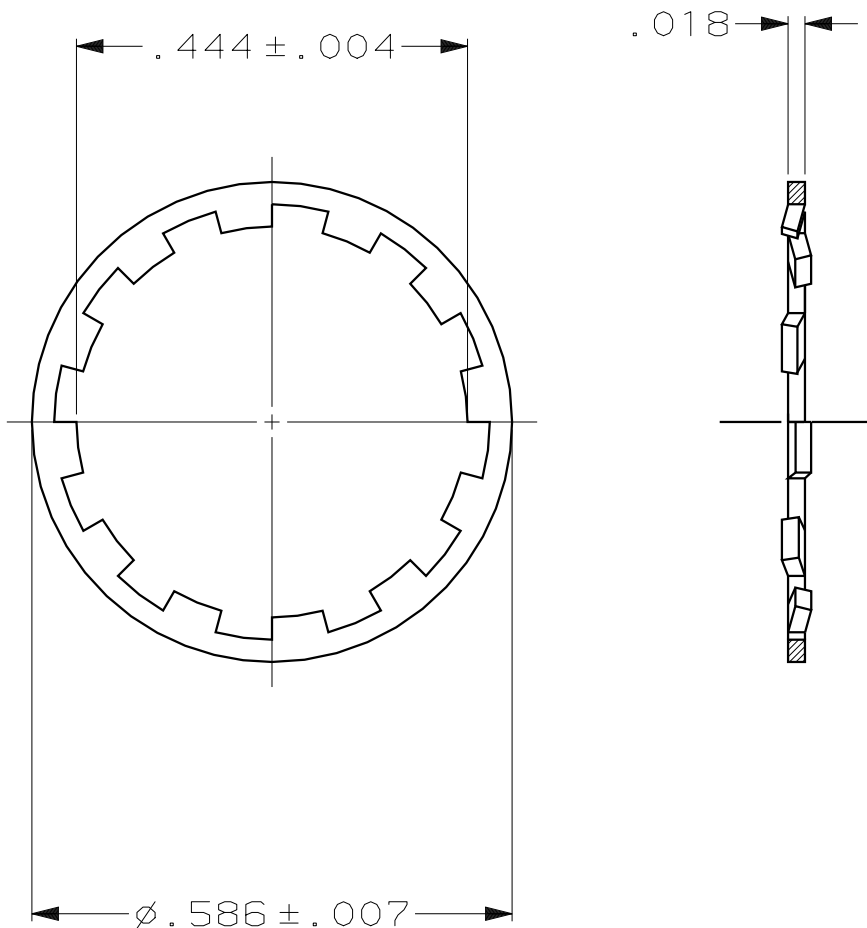



LOC	DIST	REVISIONS			
AJ	16	P	LTR	DESCRIPTION	DATE
					DWN
					APVD

1. COMMERCIAL ITEM.



980506-1
PART NUMBER

THIS DRAWING IS UNPUBLISHED. BY AMP INCORPORATED. ALL RIGHTS RESERVED.

DIMENSIONS: INCHES TOLERANCES UNLESS OTHERWISE SPECIFIED: 0 PLC ±- 1 PLC ±- 2 PLC ±- 3 PLC ±- 4 PLC ±- ANGLES ±-	DWN	-	MATERIAL	FINISH
	B. MOYER	-	PHOSPHOR BRONZE	NICKEL PLATE
	CHK	-	 AMP Incorporated Harrisburg, PA 17105-3608	
	APVD	-		
	B. MOYER	-	NAME	
	PRODUCT SPEC	-	WASHER, LOCK, INTERNAL, TOOTH	
	APPLICATION SPEC	-	SIZE	CAGE CODE
		-	A4	00779
	WEIGHT	-	DRAWING NO	
		-	C=980506	
	CUSTOMER DRAWING	-	SCALE	SHEET
		-	NTS	1 OF 1
		-		REV 0

