



SPDT Failsafe DC to 26.5 GHz Electro-Mechanical Relay Switch, Up To 90W, 24V, 2M Lifecycles, SMA

Electromechanical Relay Switches Technical Data Sheet

PE71S6430

Features

- Single Pole Double Throw Electromechanical Relay Switch
- DC to 26.5 GHz Frequency Range
- Failsafe Actuator
- 2M Lifecycle Rating
- Insertion Loss 0.35 dB typ
- Isolation > 80 dB typ
- VSWR 1.4:1 typ
- +24 Volt DC Bias
- Solder Terminal Pins for DC Control
- SMA Female Connectors
- -25°C to +65°C Operating Temperature
- Up to 90 Watt Average Power Handling
- 50 Ohm Design
- Hot Switching Capability - Consult Factory
- S-Parameter Data available upon request
- Rugged Design meets Mil-STD-202 Test Conditions

Applications

- Aerospace & Defense
- Test & Measurement
- Microwave Radio Systems
- Military & Commercial Communication Systems
- Research & Development
- SATCOM
- Wireless Communications
- Enterprise
- IoT

Description

The PE71S6430 is a Single Pole Double Throw (SPDT) electromechanical relay switch that operates across a wide frequency range of DC to 26.5 GHz and can handle up to 90 Watts of CW input power in a break before make condition. The 50 Ohm design features a Failsafe Actuator and is rated for 2 million lifecycles. Impressive typical performance includes 0.35 dB insertion loss and isolation greater than 80 dB. This switch requires +24Vdc bias voltage and operates over a temperature range of -25°C to +65°C. The rugged and compact package assembly supports SMA female connectors and solder terminal pins for DC control. And for highly reliable operation, the model is guaranteed to meet MIL-STD-202 environmental test conditions for shock and random vibration.

Electrical Specifications

Switch Type SPDT
 Actuator Type Failsafe
 Switching Sequence Break before Make

Description	Minimum	Typical	Maximum	Units
Frequency Range	DC		26.5	GHz
Impedance		50		Ohms
Operating Voltage	22	24	26	Volts
Actuating Set Current @ 24 Volts At +20°C			110	mA
VSWR		1.4:1	1.7:1	
Insertion Loss		0.35	0.6	dB
Isolation	50	80		dB
Input Power (CW)			90	Watts

Click the following link (or enter part number in "SEARCH" on website) to obtain additional part information including price, inventory and certifications: [SPDT Failsafe DC to 26.5 GHz Electro-Mechanical Relay Switch, Up To 90W, 24V, 2M Lifecycles, SMA PE71S6430](#)



SPDT Fail-safe DC to 26.5 GHz Electro-Mechanical Relay Switch, Up To 90W, 24V, 2M Lifecycles, SMA

Electromechanical Relay Switches Technical Data

PE71S6430

Switching Time	20	ms Max
----------------	----	--------

Performance by Frequency

Description	F1	F2	F3	F4	F5	Units
Frequency Range	DC to 6	6 to 12	12 to 18	18 to 26.5		GHz
VSWR, Max	1.2:1	1.3:1	1.4:1	1.7:1		
Insertion Loss, Max	0.15	0.25	0.35	0.6		dB
Isolation, Min	80	70	60	50		dB

Mechanical Specifications

Size

Weight	0.5 lbs [226.8 g]
Body Material and Plating	Aluminum
Package Type	Connectorized
Operating Life	2,000,000 Cycles

Connectors

RF Connector Type	SMA Female
Control Connector	Solder Terminals

Environmental Specifications

Temperature

Operating Range	-25 to +65 deg C
Storage Range	-55 to +100 deg C

Humidity	Moisture Resistance
Shock	MIL-STD-202 Method 213, Cond. D 500G Non Operating
Vibration	MIL-STD-202 Method 204, Cond. D 10G RMS Non Operating

Compliance Certifications (see [product page](#) for current document)

Plotted and Other Data

Notes:

Click the following link (or enter part number in "SEARCH" on website) to obtain additional part information including price, inventory and certifications: [SPDT Fail-safe DC to 26.5 GHz Electro-Mechanical Relay Switch, Up To 90W, 24V, 2M Lifecycles, SMA PE71S6430](#)

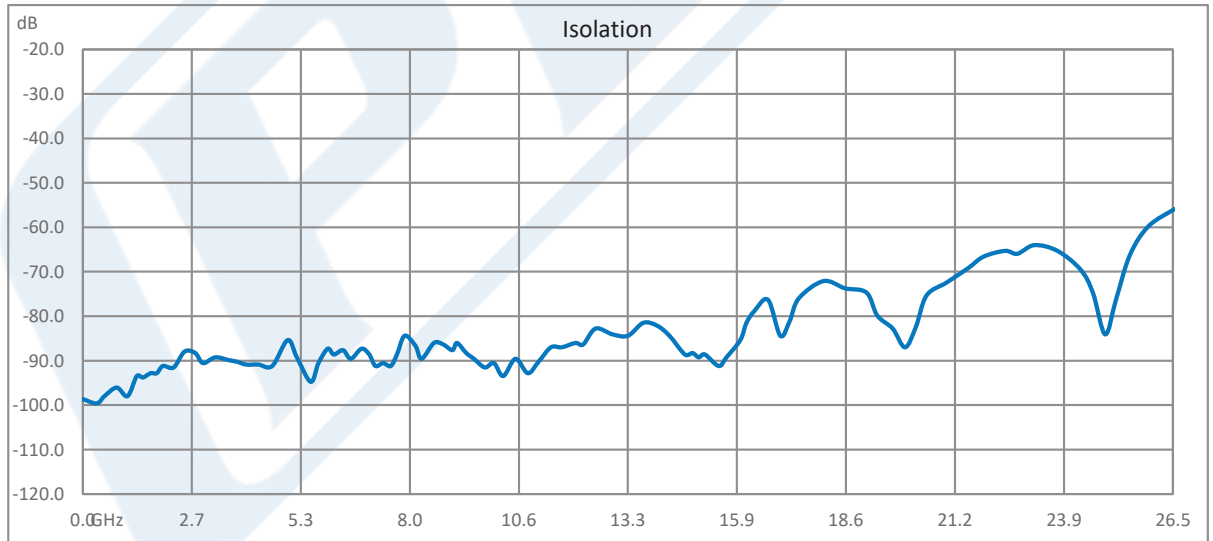
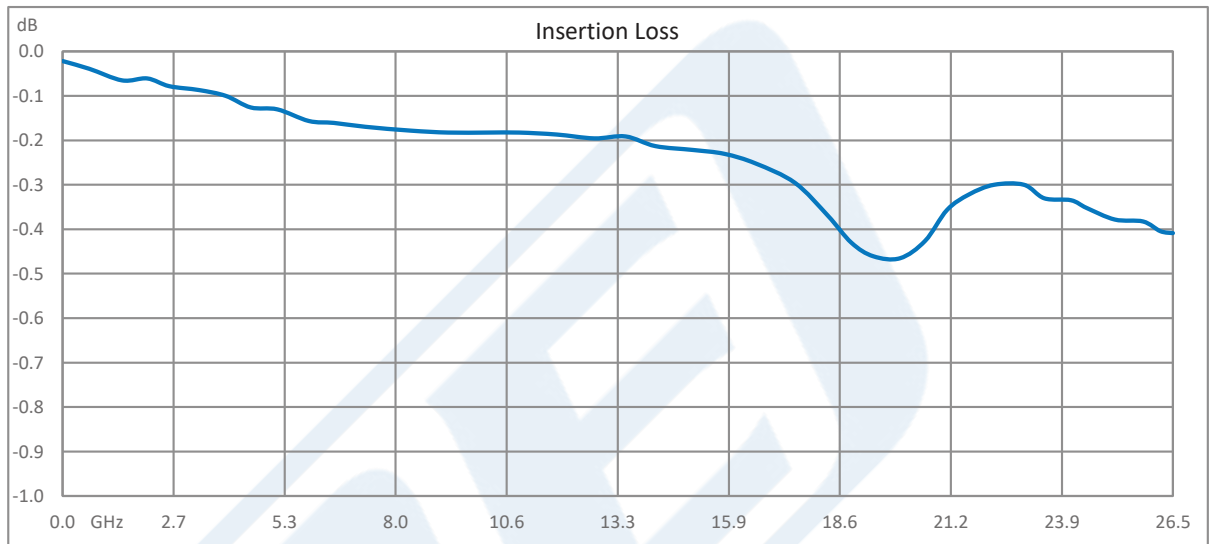


SPDT Fail-safe DC to 26.5 GHz Electro-Mechanical Relay Switch, Up To 90W, 24V, 2M Lifecycles, SMA

Electromechanical Relay Switches Technical Data

PE71S6430

Typical Performance Data



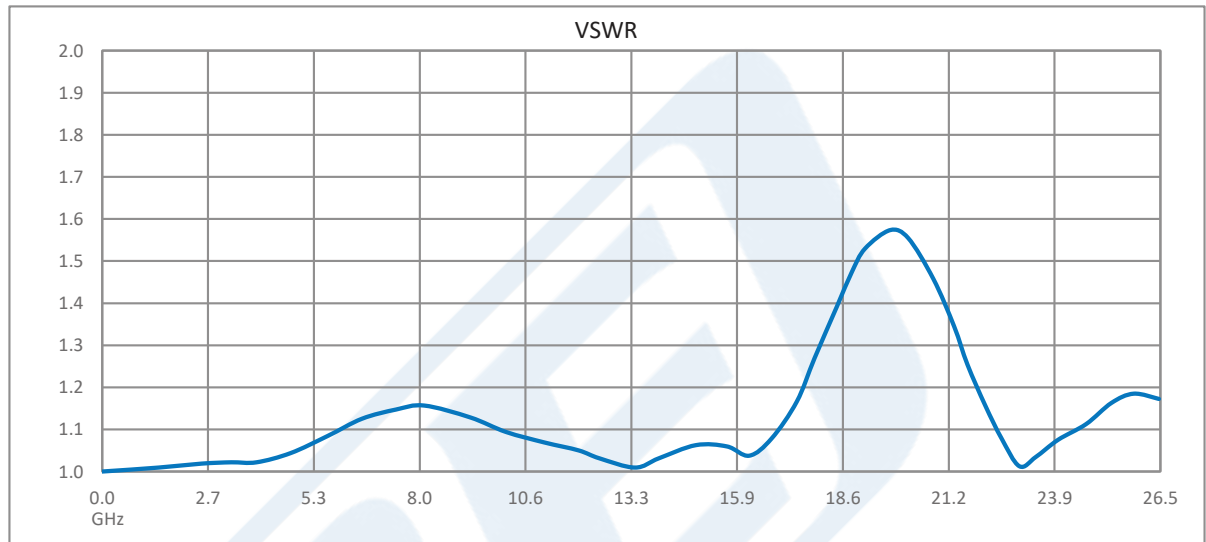
Click the following link (or enter part number in "SEARCH" on website) to obtain additional part information including price, inventory and certifications: [SPDT Fail-safe DC to 26.5 GHz Electro-Mechanical Relay Switch, Up To 90W, 24V, 2M Lifecycles, SMA PE71S6430](#)



SPDT Failsafe DC to 26.5 GHz Electro-Mechanical
Relay Switch, Up To 90W, 24V, 2M Lifecycles, SMA

Electromechanical Relay Switches Technical Data

PE71S6430



SPDT Failsafe DC to 26.5 GHz Electro-Mechanical Relay Switch, Up To 90W, 24V, 2M Lifecycles, SMA from Pasternack Enterprises has same day shipment for domestic and International orders. Our RF, microwave and millimeter wave products maintain a 99.4% availability and are part of the broadest selection in the industry.

Click the following link (or enter part number in "SEARCH" on website) to obtain additional part information including price, inventory and certifications: [SPDT Failsafe DC to 26.5 GHz Electro-Mechanical Relay Switch, Up To 90W, 24V, 2M Lifecycles, SMA PE71S6430](https://www.pasternack.com/spdt-failsafe-dc-to-26.5-ghz-electro-mechanical-relay-switch-up-to-90w-24v-2m-lifecycles-sma-pe71s6430)

URL: <https://www.pasternack.com/spdt-electromechanical-relay-failsafe-switch-26.5-ghz-90w-24v-sma-pe71s6430-p.aspx>

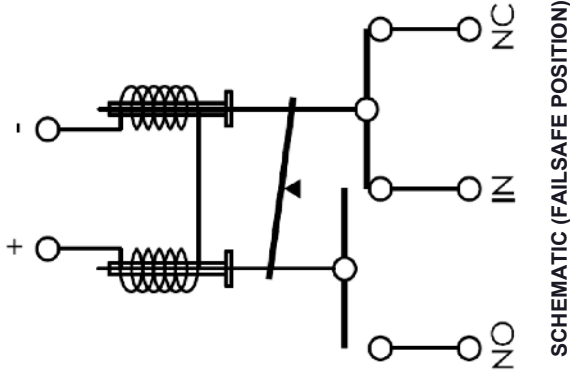
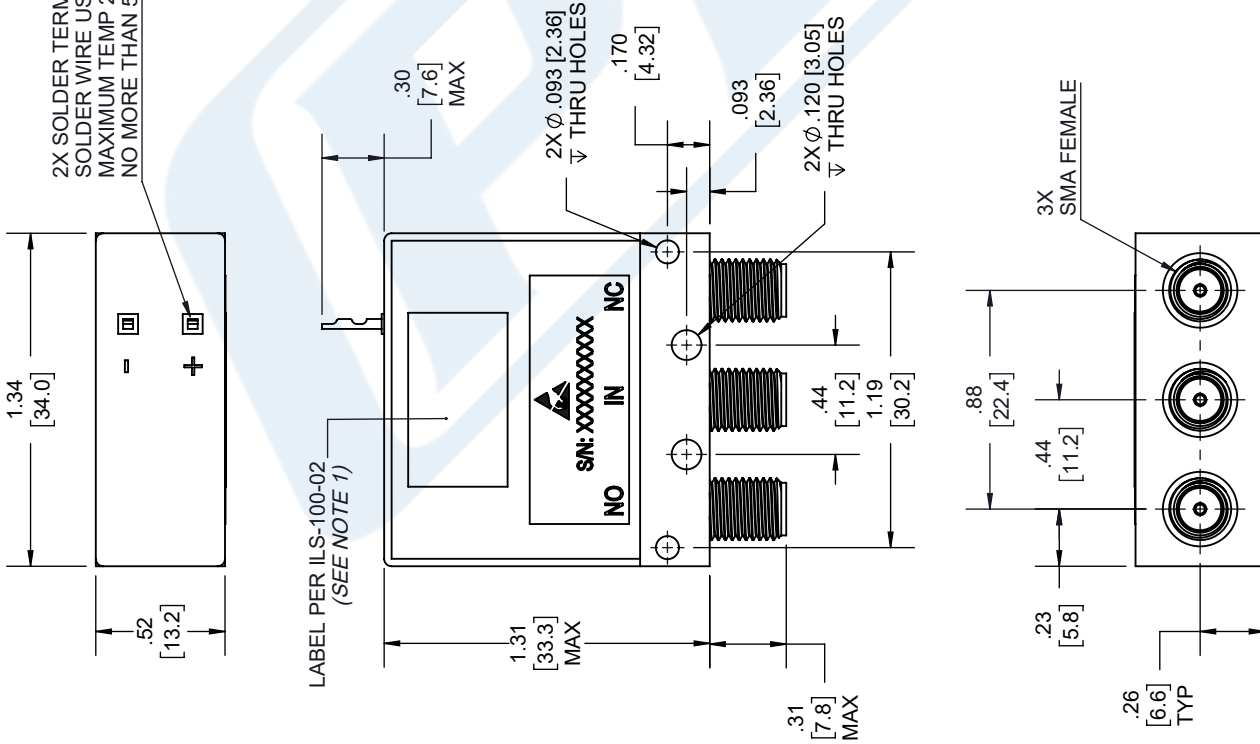
The information contained in this document is accurate to the best of our knowledge and representative of the part described herein. It may be necessary to make modifications to the part and/or the documentation of the part, in order to implement improvements. Pasternack reserves the right to make such changes as required. Unless otherwise stated, all specifications are nominal. Pasternack does not make any representation or warranty regarding the suitability of the part described herein for any particular purpose, and Pasternack does not assume any liability arising out of the use of any part or documentation.

PE71S6430 CAD Drawing

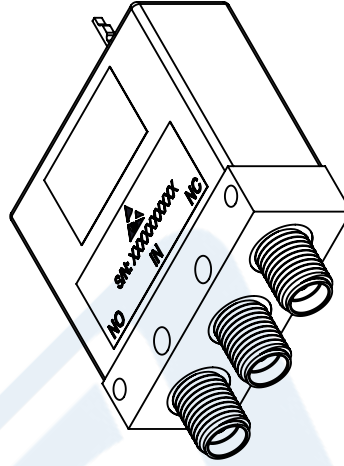
SPDT Failsafe DC to 26.5 GHz Electro-Mechanical Relay
Switch, Up To 90W, 24V, 2M Lifecycles, SMA

REVISIONS			
REV.	DESCRIPTION	DATE	APPROVED
A	INITIAL RELEASE	9/30/2020	T. GALLA

2X SOLDER TERMINALS,
SOLDER WIRE USING SN63
MAXIMUM TEMP 210°C FOR
NO MORE THAN 5 SEC.



SCHEMATIC (FAILSAFE POSITION)



UNLESS OTHERWISE SPECIFIED,
LEADING DIMENSIONS ARE INCHES
DIMENSIONS IN [] ARE MILLIMETERS

TOLERANCES:
X = ±.2 [5.08] FRACTIONS
.XX = ±.02 [.51] ±.132
XXX = ±.005 [.13] ANGLES ± 1°

CABLE LENGTH (L) TOLERANCES:
L ≤ 12 [305] = +1 [25] / -0
12 [305] < L ≤ 60 [1524] = +2 [51] / -0
60 [1524] < L ≤ 120 [3048] = +4 [102] / -0
120 [3048] < L ≤ 300 [7620] = +6 [152] / -0
300 [7620] < L = +5% / -0

ALL DIMENSIONS SHOWN
ARE FOR REFERENCE ONLY.

PE PASTERNAK
an INFINITO brand

Pasternack Enterprises, Inc.
P.O. Box 16759, Irvine, CA 92623.
Phone: 1.949.261.1920 | 1.866.727.8376
Fax: 1.949.261.7451
Website: www.pasternack.com
E-mail: sales@pasternack.com

THIRD-ANGLE PROJECTION

THE INFORMATION AND
DESIGN IN THIS DOCUMENT
IS THE PROPERTY OF
PASTERNAK CORPORATION
ALL RIGHTS RESERVED.

SHEET 1 OF 1

SCALE N/A

REV A

ITEM NO. PE71S6430

DRAWN BY K.DANG

CAGE CODE 53919

SIZE A

NOTES:
1. LABEL PER ILS-100-02 FOR INTERNAL REFERENCE ONLY.
LABEL LOCATION FOR REFERENCE ONLY.

THESE COMMODITIES, TECHNOLOGY OR SOFTWARE WERE EXPORTED FROM THE UNITED STATES IN ACCORDANCE WITH THE EXPORT ADMINISTRATION REGULATIONS. DIVERSION CONTRARY TO U.S. LAW PROHIBITED.