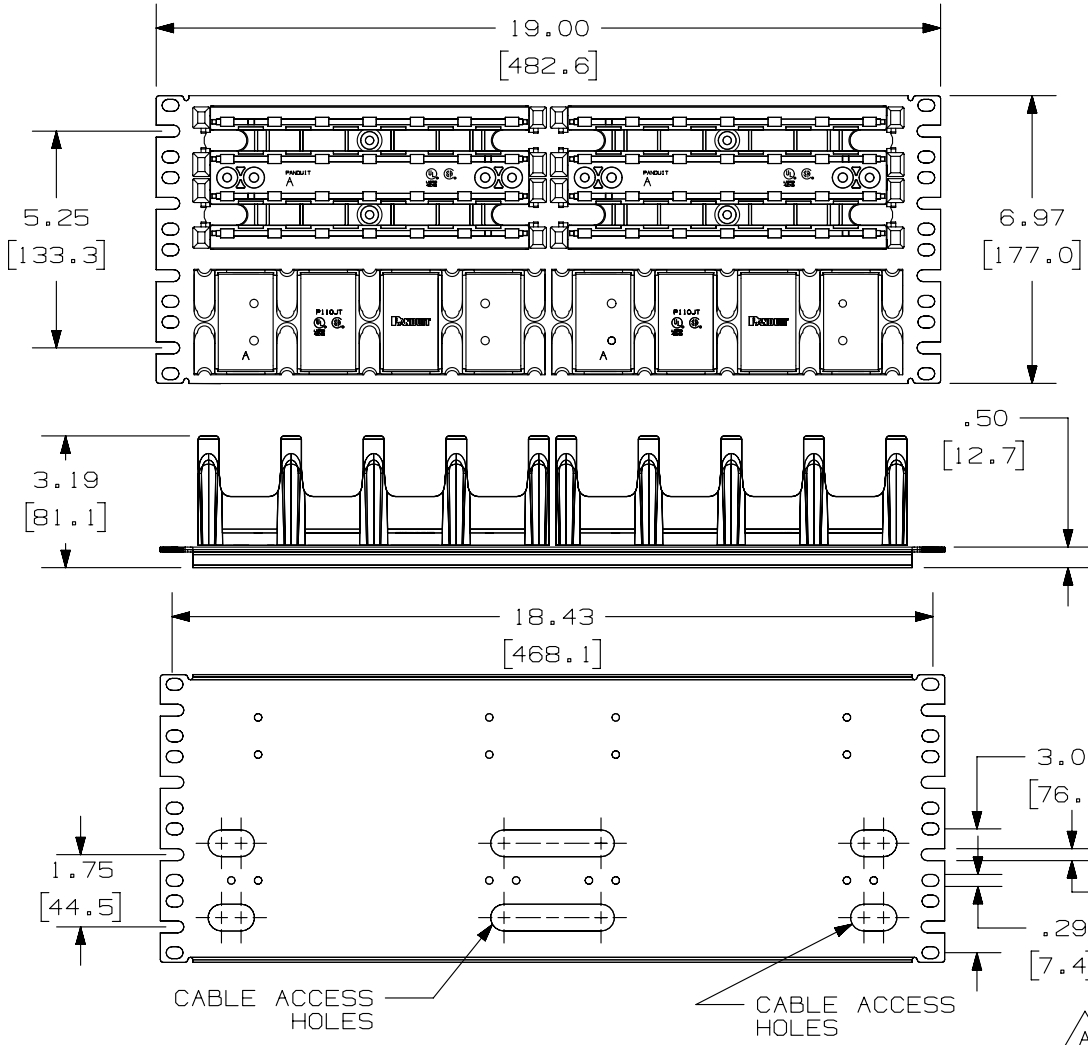


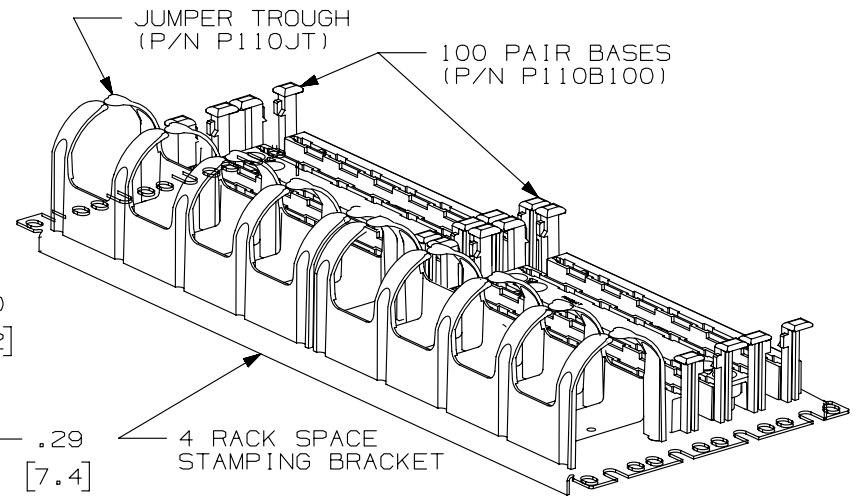
THIS COPY IS PROVIDED ON A RESTRICTED BASIS AND IS NOT TO BE USED IN ANY WAY DETRIMENTAL TO THE INTERESTS OF PANDUIT CORP.



PANDUIT PART NO.	WEIGHT
P110B100R4WJY	3.93 LB/ea (1784.4 g/ea)

NOTES:

- SEE CURRENT CATALOG FOR ADDITIONAL PART NUMBER SUFFIXES TO INDICATE PACKAGE QUANTITY.
- STAMPING ASSEMBLY IS DESIGNED FOR RACK MOUNT APPLICATIONS.
- 110 BASES AND TROUGHS ARE PRE-ASSEMBLED TO BRACKET. (4) #12 MOUNTING SCREWS AND (4) METRIC M6x1x15MM SCREWS ARE ALSO PROVIDED.
- CONNECTING BLOCKS SOLD SEPARATELY.
- DIMENSIONS IN PARENTHESES ARE IN METRIC.



PART NUMBER		P110B100R4WJY	
TITLE			
4 RU CAT 5E PUNCHDOWN RACK MOUNT ASSEMBLY			
CUSTOMER DRAWING			
ITEM REVISION NAME		M02479ND/00	
DATASET FILE NAME		M02479ND_DC343/00B	
UNLESS OTHERWISE SPECIFIED, DIMENSIONAL TOLERANCES ARE: IN [mm]		MATERIAL:	
.x ± .xxx ± .010 [.3]		DRAWING NUMBER:	
.xx ± .03 [.8]		02479-343	
THIRD ANGLE PROJECTION		SHT 1 OF 1	
DRAWN BY	DATE	CHK	SCALE
NER	3-24-06	NER	NONE
REV	DATE	BY	CHK
1	5-27-14	MDJR	REFR
R	3-24-06	NER	WJC
APR	DESCRIPTION		ECN
	A. UPDATED TITLE BLOCK.		02479-343
	RELEASED TO PRODUCTION		02479-343

D10100DA/14