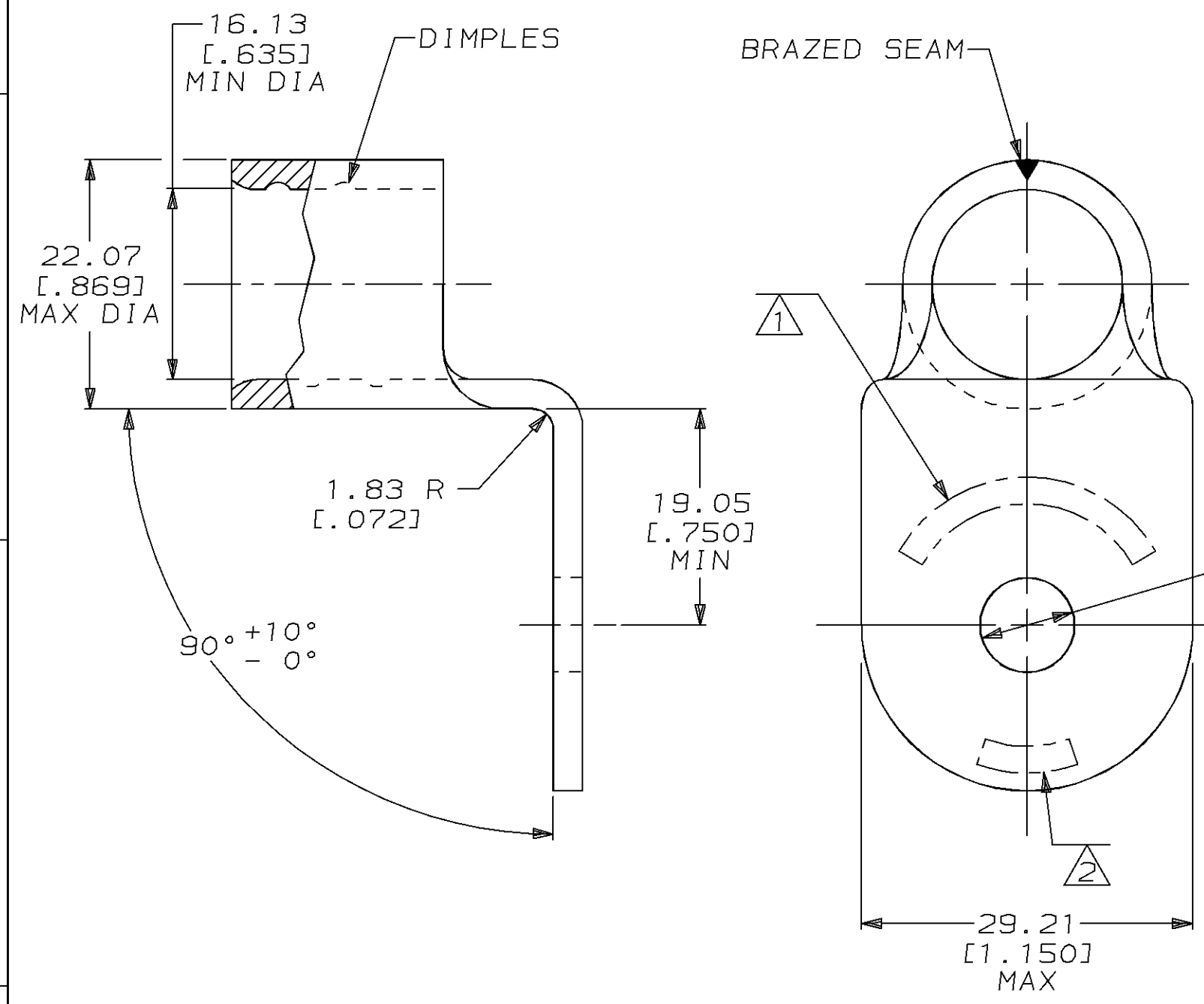


THIS DRAWING IS UNPUBLISHED. RELEASED FOR PUBLICATION ,19 .
 © COPYRIGHT 19 BY AMP INCORPORATED. ALL RIGHTS RESERVED.

LOC	DIS	REVISIONS			
P	LTR	DESCRIPTION	DATE	DWN	APVD
G	14	F	REV & REDWN ON CAD PER 0L20-0073-96	21FEB97	DKS CHK



AMP WIRE RANGE	E13288 Listed
4/0 AWG SOLID OR STRANDED	4/0 AWG STRANDED
LR7189 Certified	MILITARY P/N AND CLASS
4/0 AWG SOLID OR STRANDED	NOT APPLICABLE

- ① STAMP AMP 4/0W* APPROX AS SHOWN
- ② STAMP 200 APPROX AS SHOWN
- 3 MATERIAL THK: 2.59 ± 0.08 [.102 ± .003]

8.33 ± 0.13 DIA
 [.328 ± .005]
 FOR 5/16 STUD

321272
 AMP
 PART NUMBER

AMP INCORPORATED
CUSTOMER SERVICE SYSTEMS

FOR ADDITIONAL PRODUCT INFORMATION OR COPIES OF DRAWINGS AND TECHNICAL DOCUMENTS	PRODUCT INFORMATION CENTER 1-800-522-6752	RECOMMENDED OPERATING TEMPERATURE: 170°C MAX
FOR APPLICATION TOOLING INFORMATION	TOOLING ASSISTANCE CENTER 1-800-722-1111	VOLTAGE RATING: NOT APPLICABLE
FOR ORDER ENTRY	1-800-526-5142	WIRE CROSS SECTIONAL AREA RANGE: 96.3-117.0mm ² [190,000-231,00] CIR MILS SOLID OR STRANDED

THIS DRAWING IS A CONTROLLED DOCUMENT FOR AMP INCORPORATED. IT IS SUBJECT TO CHANGE AND THE CONTROLLING ENGINEERING ORGANIZATION SHOULD BE CONTACTED FOR THE LATEST REVISION.

DIMENSIONS: mm [INCHES]	TOLERANCES UNLESS OTHERWISE SPECIFIED:
	0 PLC ±-
	1 PLC ±-
	2 PLC ±0.20 [.008]
	3 PLC ±-
	4 PLC ±-
	ANGLES ±-
MATERIAL COPPER PER ASTM B-152 ANNEALED	FINISH TIN PLATE 0.00254 [.000100] MIN THK PER MIL-T-10727

DWN DK SCHRUM 18FEB97	AMP Incorporated Harrisburg, PA 17105-3608	
CHK DM SWARTZ	NAME TERMINAL, BENT 90°, RING TONGUE, SOLISTRAND™	
APVD JL MECKLEY	SIZE A3	CAGE CODE 00779
PRODUCT SPEC	DRAWING NO C-321272	SCALE 2:1
APPLICATION SPEC	WEIGHT -	SHEET 1 OF 1
CUSTOMER DRAWING	REV F	