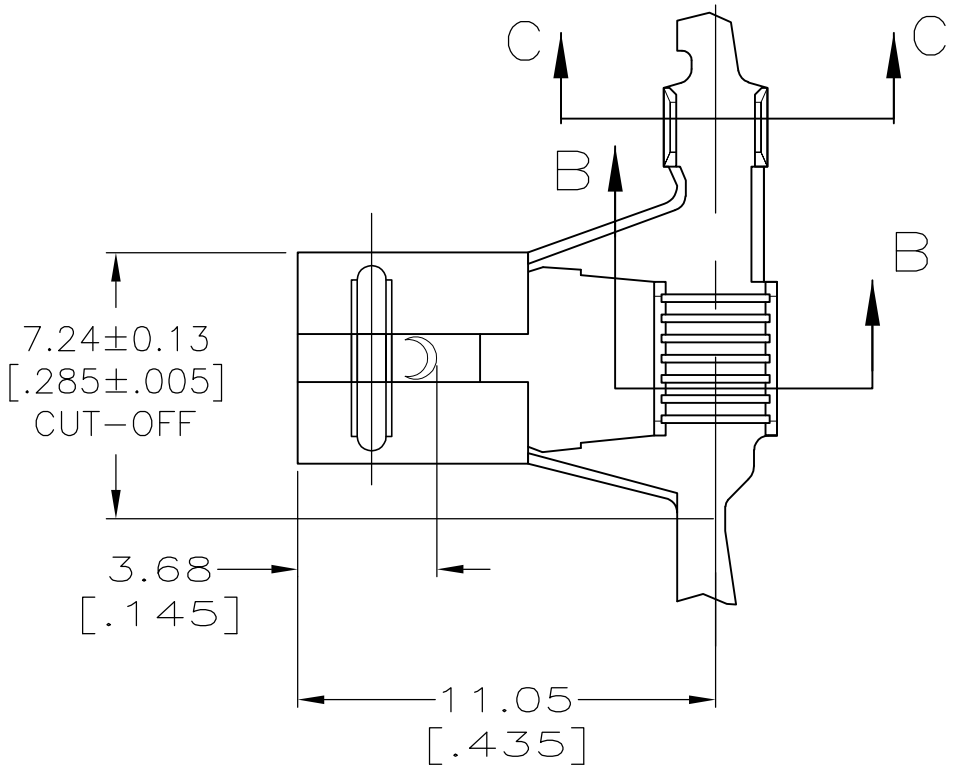
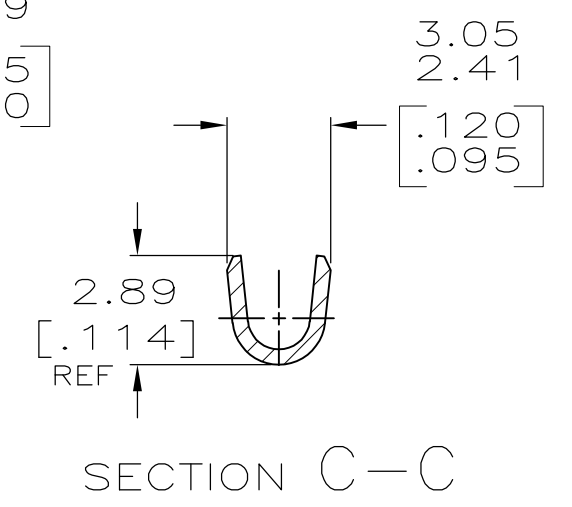
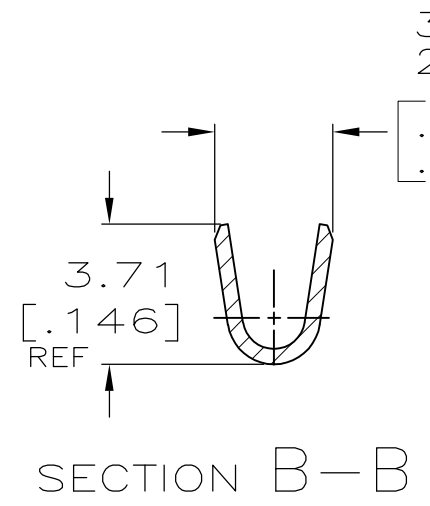
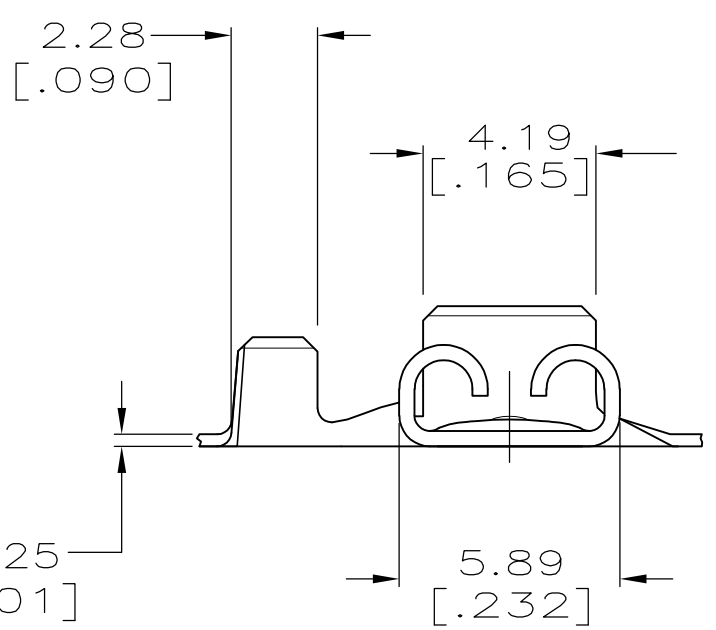
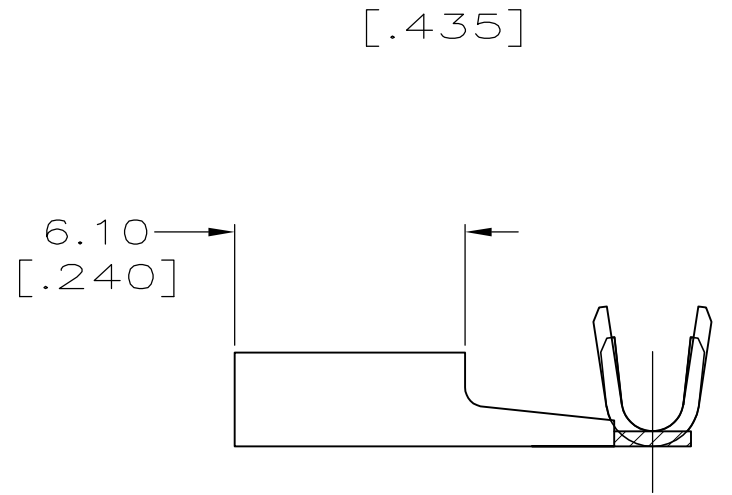


THIS DRAWING IS UNPUBLISHED. RELEASED FOR PUBLICATION
 © COPYRIGHT - By TYCO ELECTRONICS CORPORATION. ALL RIGHTS RESERVED.

LOC	DIST	REVISIONS			
P	LTR	DESCRIPTION	DATE	DWN	APVD
AF	50	E	REVISE PER ECR-13-013738	15FEB2014	GRZ JL



- 1 CONTINUOUS STRIP ON REELS.
- 2 ACCEPTS MAGNET WIRE RANGES 2000-4050 CMA.
- 3 MATING TAB THK TO BE 0.81±0.025 [.032±.001].
- △ 4 0.002032 [.000080] MIN TIN



1217417-1
PART NO.

THIS DRAWING IS A CONTROLLED DOCUMENT.		DWN	JR RUTH	18MAY00	TE Connectivity RECEPTACLE, FASTON, FLAG, AMPLIVAR, 4.75 [.187] SERIES
DIMENSIONS: mm		CHK	MS FEHER	18MAY00	
		APVD	P DESANTIS	18MAY00	
TOLERANCES UNLESS OTHERWISE SPECIFIED: 0 PLC ± - 1 PLC ± - 2 PLC ± 0.25 [.010] 3 PLC ± - 4 PLC ± - ANGLES ± -		PRODUCT SPEC	-		
MATERIAL	BRASS	FINISH	△ 4		NAME
		WEIGHT	-		SIZE
		CUSTOMER DRAWING			CAGE CODE
		SCALE 5:1			DRAWING NO
		SHEET 1 OF 1			RESTRICTED TO
		REV E			