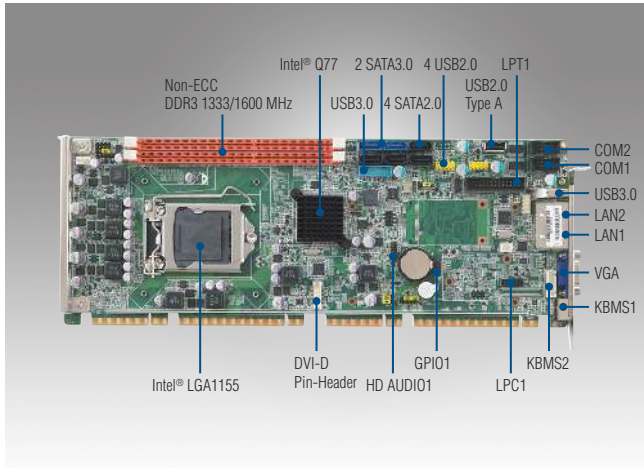


PCE-5127

LGA1155 Intel® Core™ i7/i5/i3 SHB DDR3/
SATA 3.0/USB3.0/Dual GbE



Features

- LGA1155 Intel® Core™ i7/i5/i3 and Pentium® processors
- Dual Channel (Non-ECC) DDR3 1333/1600 up to 16 GB
- Supports USB3.0, SATA3.0, SW Raid 0, 1, 5, 10
- Out-of-band remote management with iAMT8.0 and TPM 1.2 (optional)
- Supports embedded software APIs and utilities

Software APIs:



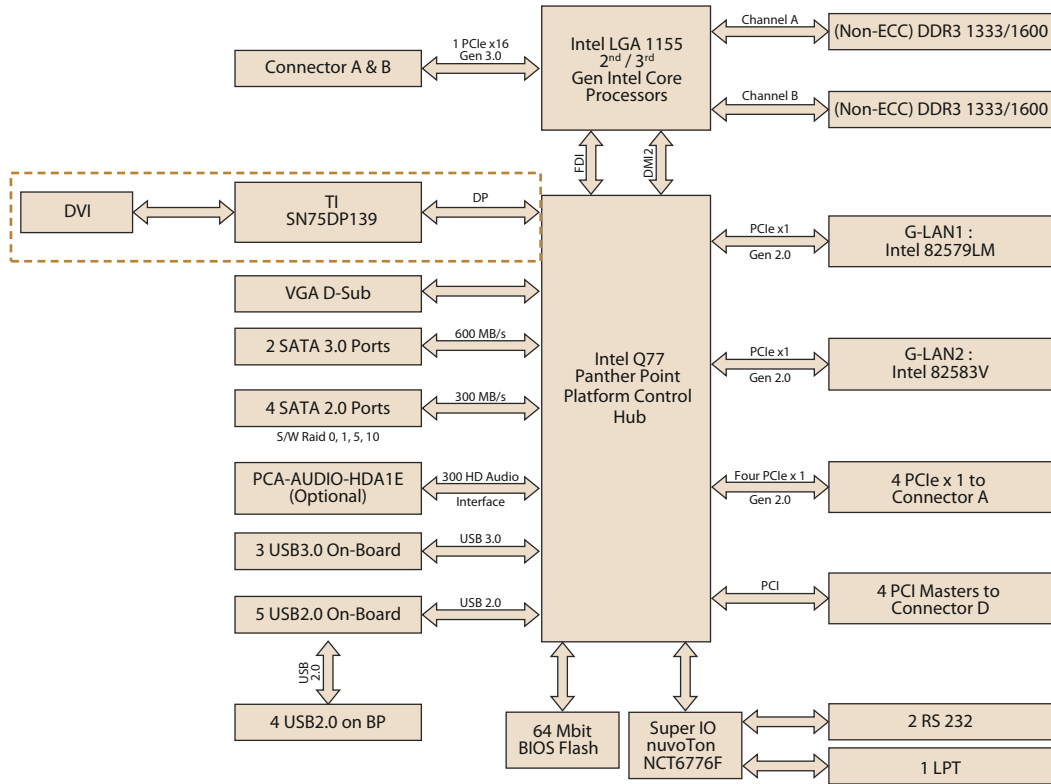
Utilities:



Specifications

Processor System	CPU	Core i7-3770	Core i5-3550S	Core i3-3220	Pentium G2120	Pentium G850	Celeron G540	
	Base Frequency	3.4 GHz	3.0 GHz	3.3 GHz	3.1 GHz	2.9 GHz	2.5 GHz	
	L3 Cache	8 MB	6 MB	3 MB	3 MB	3 MB	2 MB	
	SKU/Chipset	Intel Q77						
	BIOS	AMI 64Mbit SPI Flash						
Bus	PCI-Express	One x16 plus four x1 to backplane						
	PCI	Four 32-bit 33 MHz PCI Masters to backplane						
Memory	Technology	Dual channel (Non-ECC) DDR3 1333/1600						
	Max. Cap.	16 GB (8 GB per DIMM)						
	Socket	DDR3 240-pin DIMM x 2						
Graphics	Controller	Chipset integrated Intel HD Graphics						
	VRAM	Shared system memory is subject to OS						
	Video Output	15 Pin VGA D-sub Connector x1/DVI-D connector x1 (Pin Header)						
Ethernet	Interface	10/100/1000 Mbps						
	Controller	LAN 1: Intel 82579LM LAN 2: Intel 82583V						
	Connector with LED	RJ45 x 2						
SATA	S/W Raid 0, 1, 5, 10	SATA 2.0 x 4 (300 MB/sec) SATA 3.0 x 2 (600 MB/sec)						
I/O Interface	USB	Nine USB2.0 (Pin-header*4+USB Type A*1+ 4 on backplane); Three USB3.0 (Pin-Header*2+Rear*1)						
	Serial	2 x RS-232 Pin-Header						
	Parallel	1 (SPP/EPP/ECP)						
	PS/2	1 (Y cable for mouse and keyboard is included in the package)						
Watchdog Timer	Output	System reset						
	Interval	Programmable 1-255 sec						
Miscellaneous	Audio	Intel High Definition audio interface (required an audio extension module P/N: PCA-AUDIO-HDA1E)						
Power Requirement	Test environment	Core i7-3770 3.4GHz+DDR3 1333 4G X 2						
	Voltage	+12 V	+5 V	+3.3 V	+5 VSB	-12 V	-5 V	
	Current	5.37 A	0.98 A	1.44 A	0.42 A	0.01 A	0 A	
Environment	Temperature/Humidity	Operating				Non-operating		
		0 ~ 60° C (32~140° F); It subjects to CPU TDP and system thermal solution.				-40 ~ 85° C and 60° C @ 95% RH Non-Condensing		
		Operating humidity: 40° C @ 85% RH Non-Condensing						
Physical	Dimensions	338 mm (L) x 122 mm (W) (13.3" x 4.8")						

Block Diagram



Ordering Information

Part Number	PCH	Memory	Backplane	LAN	VGA	DVI-D	COM	SATA II	SATA III	USB 2.0	USB 3.0	S/W Raid	iAMT
PCE-5127G2-00A1E	Q77	Non-ECC	PCE-5BXX	2	Yes	Yes*	2	4	2	9	3	Yes	Yes

*Note: 1.Output DVI-D signal only (Required DVI-D cable)

Optional Accessories

Part Number	Description
1960047831N001	PCE-5127 optimized CPU Cooler (2U)
PCA-AUDIO-HDA1E	Audio extension module
PCA-TPM-00A1E	Trusted Platform Module compliant TCG 1.2
1700020277-01	2 ports USB 3.0 cable W/ BKT(30cm)
1700008822-11	DVI-D Cable
PCA-COM232-00A1E	4 Ports RS-232 Module by LPC

Packing List

Part Number	Description	Quantity
1700003194	Serial ATA HDD data cable	x2
1700022749-11	Serial ATA HDD power cable	x1
1701260305	COM + printer ports cable kit	x1
1700060202	Keyboard and mouse Y-cable	x1
1700008461	4-port USB cable kit	x1
9689000068	Jumper package	x1
2190000902	Warranty Card	x1
2006512700	Startup manual	x1
2066512700	Utility CD	x1

Bracket View



PCE-5127G2-00A1E