

Electronic device circuit breaker - HMC 11 120AC 3A C1D2 TBUS - 2907202

Please be informed that the data shown in this PDF Document is generated from our Online Catalog. Please find the complete data in the user's documentation. Our General Terms of Use for Downloads are valid (<http://phoenixcontact.com/download>)




HMC series of supplemental circuit protector busbar modules, 3 A rating

Why buy this product

- T-bus for up to 15 A power distribution
- UL recognized for hazardous locations Class I, Division 2, Groups A, B, C, and D
- Dual-rated for 50 V DC and 120 V AC
- Hydraulic-magnetic technology provides extended temperature stability

Key Commercial Data

| | |
|--------------------------------------|---|
| Packing unit | 1 STK |
| GTIN |  4 055626 342443 |
| GTIN | 4055626342443 |
| Weight per Piece (excluding packing) | 150.000 g |
| Country of origin | United States |

Technical data

Note

| | |
|-------------------|--|
| Trade restriction | The products are offered exclusively for export outside the EU and the European Economic Area. |
|-------------------|--|

Dimensions

| | |
|--------|----------|
| Height | 93.6 mm |
| Width | 29.2 mm |
| Depth | 109.2 mm |

Ambient conditions

| | |
|---|------------------|
| Ambient temperature (operation) | -40 °C ... 65 °C |
| Ambient temperature (storage/transport) | -40 °C ... 65 °C |

Electronic device circuit breaker - HMC 11 120AC 3A C1D2 TBUS - 2907202

Technical data

General

| | |
|--|-----------------|
| Flammability rating according to UL 94 | V0 |
| Mounting type | DIN rail: 35 mm |
| Color | gray |
| Number of positions | 4 |

Electrical data

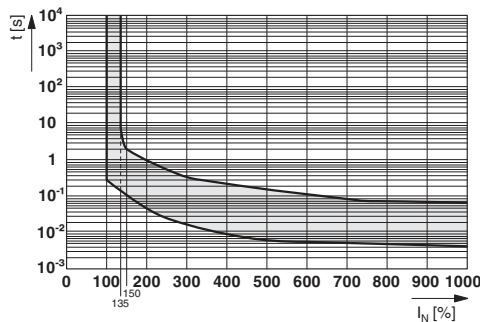
| | |
|---|---------------------|
| Rated voltage | 120 V AC (50/60 Hz) |
| | 50 V DC |
| Nominal current I_N | 3 A |
| Rated short-circuit switching capacity I_{cn} | 1 kA () |

Standards and Regulations

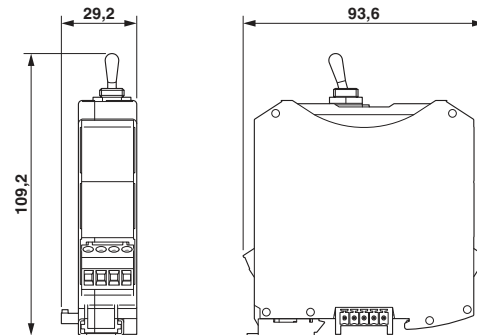
| | |
|--------------------------|---------|
| Standards/specifications | UL 1077 |
|--------------------------|---------|

Drawings

Diagram



Dimensional drawing



Classifications

eCl@ss

| | |
|------------|----------|
| eCl@ss 5.0 | 27141116 |
| eCl@ss 5.1 | 27141116 |
| eCl@ss 8.0 | 27141116 |
| eCl@ss 9.0 | 27141116 |

ETIM

| | |
|----------|----------|
| ETIM 5.0 | EC000899 |
|----------|----------|

Electronic device circuit breaker - HMC 11 120AC 3A C1D2 TBUS - 2907202

Classifications

UNSPSC

| | |
|-------------|----------|
| UNSPSC 13.2 | 39121410 |
|-------------|----------|

Approvals

Approvals

Approvals

UL Recognized / cUL Recognized / cULus Recognized

Ex Approvals

UL Recognized / cUL Recognized / cULus Recognized

Approval details

| | | | |
|---------------|--|---|---------------|
| UL Recognized | | http://database.ul.com/cgi-bin/XYV/template/LISEXT/1FRAME/index.htm | FILE E 140459 |
|---------------|--|---|---------------|

| | | | |
|----------------|--|---|---------------|
| cUL Recognized | | http://database.ul.com/cgi-bin/XYV/template/LISEXT/1FRAME/index.htm | FILE E 140459 |
|----------------|--|---|---------------|

| | | | |
|------------------|--|---|--|
| cULus Recognized | | http://database.ul.com/cgi-bin/XYV/template/LISEXT/1FRAME/index.htm | |
|------------------|--|---|--|

Accessories

Accessories

DIN rail

DIN rail perforated - NS 35/ 7,5 PERF 2000MM - 0801733



DIN rail, material: steel galvanized and passivated with a thick layer, perforated, height 7.5 mm, width 35 mm, length: 2000 mm

Electronic device circuit breaker - HMC 11 120AC 3A C1D2 TBUS - 2907202

Accessories

DIN rail, unperforated - NS 35/ 7,5 CU UNPERF 2000MM - 0801762



DIN rail, material: Copper, unperforated, height 7.5 mm, width 35 mm, length: 2 m

DIN rail, unperforated - NS 35/15 UNPERF 2000MM - 1201714



DIN rail, material: Steel, unperforated, height 15 mm, width 35 mm, length: 2 m

DIN rail, unperforated - NS 35/15 CU UNPERF 2000MM - 1201895



DIN rail, material: Copper, unperforated, 1.5 mm thick, height 15 mm, width 35 mm, length: 2 m

DIN rail, unperforated - NS 35/15-2,3 UNPERF 2000MM - 1201798



DIN rail, unperforated, Width: 35 mm, Height: 15 mm, Length: 2000 mm, Color: silver

DIN rail, unperforated - NS 35/15 AL UNPERF 2000MM - 1201756



DIN rail, deep drawn, high profile, unperforated, 1.5 mm thick, material: aluminum, height 15 mm, width 35 mm, length 2000 mm

Electronic device circuit breaker - HMC 11 120AC 3A C1D2 TBUS - 2907202

Accessories

DIN rail perforated - NS 35/15 PERF 2000MM - 1201730



DIN rail, material: steel galvanized and passivated with a thick layer, perforated, height 15 mm, width 35 mm, length: 2000 mm

End block

End clamp - CLIPFIX 35-5 - 3022276



Quick mounting end clamp for NS 35/7,5 DIN rail or NS 35/15 DIN rail, with marking option, with parking option for FBS...5, FBS...6, KSS 5, KSS 6, width: 5.15 mm, color: gray

End clamp - E/UK 1 - 1201413



End clamps, for supporting the ends of double-level and three-level terminal blocks, width: 10 mm, color: gray