

PTCM 0,5/ 4-PL-2,5 BK - Printed-circuit board connector



1048118

<https://www.phoenixcontact.com/us/products/1048118>

Please be informed that the data shown in this PDF document is generated from our online catalog. Please find the complete data in the user documentation. Our general terms of use for downloads are valid.



PCB connector, nominal cross section: 0.75 mm², color: black, nominal current: 6 A, rated voltage (III/2): 160 V, contact surface: Tin, contact connection type: Socket, number of rows: 1, number of positions: 4, product range: PTCM 0,5/..-PL, pitch: 2.5 mm, connection method: Crimp connection, conductor/PCB connection direction: 0 °, plug-in system: COMBICON PTSM, locking: Snap-in locking, mounting: Self-locking flange, type of packaging: packed in cardboard

Your advantages

- High current carrying capacity of 6 A in very compact dimensions
- Intuitive locking mechanism prevents accidental disconnection
- Cost-effective connection of crimped conductors in large quantities
- Tools for manual and automatic crimping available as an option

Commercial data

Item number	1048118
Packing unit	1 pc
Minimum order quantity	250 pc
Note	Made to order (non-returnable)
Sales key	AA01
Product key	AAACPC
GTIN	4055626650050
Weight per piece (including packing)	0.729 g
Weight per piece (excluding packing)	0.729 g
Customs tariff number	85389099
Country of origin	DE

PTCM 0,5/ 4-PL-2,5 BK - Printed-circuit board connector



1048118

<https://www.phoenixcontact.com/us/products/1048118>

Technical data

Product properties

Product line	COMBICON Connectors XS
Product type	PCB connector
Product family	PTCM 0,5/...-PL
Number of positions	4
Pitch	2.5 mm
Number of rows	1

Electrical properties

Nominal current I_N	6 A
Nominal voltage U_N	160 V
Degree of pollution	3
Rated voltage (III/3)	160 V
Rated surge voltage (III/3)	2.5 kV
Rated voltage (III/2)	160 V
Rated surge voltage (III/2)	2.5 kV
Rated voltage (II/2)	320 V
Rated surge voltage (II/2)	2.5 kV

Connection data

Connection technology

Type	Standard
Connector system	COMBICON PTSM
Nominal cross section	0.75 mm ²
Contact connection type	Socket

Interlock

Locking type	Snap-in locking
Mounting flange	Self-locking flange

Conductor connection

Connection method	Crimp connection
Conductor/PCB connection direction	0 °
Conductor cross section flexible	0.14 mm ² ... 0.75 mm ² (Maximum external diameter of the insulation 1.9 mm)
Conductor cross section AWG	26 ... 18 (Maximum external diameter of the insulation 1.9 mm)
Stripping length	4.1 mm ... 4.5 mm

Material specifications

Material data - housing

Color (Housing)	black (9005)
Insulating material	PA

PTCM 0,5/ 4-PL-2,5 BK - Printed-circuit board connector

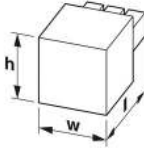


1048118

<https://www.phoenixcontact.com/us/products/1048118>

Insulating material group	I
CTI according to IEC 60112	600
Flammability rating according to UL 94	V0
Glow wire flammability index GWFI according to EN 60695-2-12	850
Glow wire ignition temperature GWIT according to EN 60695-2-13	775
Temperature for the ball pressure test according to EN 60695-10-2	125 °C

Dimensions

Dimensional drawing	
Pitch	2.5 mm
Width [w]	19.46 mm
Height [h]	16.2 mm
Length [l]	3.9 mm

Mounting

Connection method	Crimp connection
-------------------	------------------

Environmental and real-life conditions

Ambient conditions

Ambient temperature (operation)	-40 °C ... 100 °C (dependent on the derating curve)
Ambient temperature (storage/transport)	-40 °C ... 70 °C
Relative humidity (storage/transport)	30 % ... 70 %
Ambient temperature (assembly)	-5 °C ... 100 °C

Electrical tests

Air clearances and creepage distances |

Specification	IEC 60664-1:2007-04
Insulating material group	I
Comparative tracking index (IEC 60112)	CTI 600
Rated insulation voltage (III/3)	160 V
Rated surge voltage (III/3)	2.5 kV
minimum clearance value - non-homogenous field (III/3)	1.5 mm
minimum creepage distance (III/3)	2 mm
Rated insulation voltage (III/2)	160 V
Rated surge voltage (III/2)	2.5 kV
minimum clearance value - non-homogenous field (III/2)	1.5 mm
minimum creepage distance (III/2)	1.5 mm

PTCM 0,5/ 4-PL-2,5 BK - Printed-circuit board connector



1048118

<https://www.phoenixcontact.com/us/products/1048118>

Rated insulation voltage (II/2)	320 V
Rated surge voltage (II/2)	2.5 kV
minimum clearance value - non-homogenous field (II/2)	1.5 mm
minimum creepage distance (II/2)	1.6 mm

Packaging specifications

Type of packaging	packed in cardboard
-------------------	---------------------

PTCM 0,5/ 4-PL-2,5 BK - Printed-circuit board connector





1048118


<https://www.phoenixcontact.com/us/products/1048118>

Approvals

To download certificates, visit the product detail page: <https://www.phoenixcontact.com/us/products/1048118>

 cULus Recognized Approval ID: E60425-20101209				
	Nominal voltage U_N	Nominal current I_N	Cross section AWG	Cross section mm^2
Use group B	150 V	6 A	22 - 18	-
Use group D	150 V	6 A	22 - 18	-

 EAC Approval ID: B.01687				
----------------------------------------------------------------------------------------------------------------------	--	--	--	--

 VDE Zeichengenehmigung Approval ID: 40048497				
	Nominal voltage U_N	Nominal current I_N	Cross section AWG	Cross section mm^2
	160 V	6 A	-	0.14 - 0.75

PTCM 0,5/ 4-PL-2,5 BK - Printed-circuit board connector



1048118

<https://www.phoenixcontact.com/us/products/1048118>

Classifications

ECLASS

ECLASS-11.0	27460202
ECLASS-12.0	27460202
ECLASS-13.0	27460202

ETIM

ETIM 8.0	EC002638
----------	----------

UNSPSC

UNSPSC 21.0	39121400
-------------	----------

PTCM 0,5/ 4-PL-2,5 BK - Printed-circuit board connector



1048118

<https://www.phoenixcontact.com/us/products/1048118>

Environmental product compliance

China RoHS	Environmentally friendly use period: unlimited = EFUP-e
	No hazardous substances above threshold values

PTCM 0,5/ 4-PL-2,5 BK - Printed-circuit board connector



1048118

<https://www.phoenixcontact.com/us/products/1048118>

Accessories

PTCM-MP-P 0,34-0,75 R - Crimp contact

1013777

<https://www.phoenixcontact.com/us/products/1013777>



Crimp contact, nominal current: 6 A, contact connection type: Socket, connection method: Crimp connection, contact surface: Tin, type of packaging: Belt

PTCM-MP-P 0,14-0,5 R - Crimp contact

1013778

<https://www.phoenixcontact.com/us/products/1013778>



Crimp contact, nominal current: 6 A, contact connection type: Socket, connection method: Crimp connection, contact surface: Tin, type of packaging: Belt

PTCM 0,5/ 4-PL-2,5 BK - Printed-circuit board connector



1048118

<https://www.phoenixcontact.com/us/products/1048118>

PTCM-MP-P 0,34-0,75 - Crimp contact

1013780

<https://www.phoenixcontact.com/us/products/1013780>



Crimp contact, nominal current: 6 A, contact connection type: Socket, connection method: Crimp connection, contact surface: Tin, type of packaging: Bulk goods

PTCM-MP-P 0,14-0,5 - Crimp contact

1013781

<https://www.phoenixcontact.com/us/products/1013781>



Crimp contact, nominal current: 6 A, contact connection type: Socket, connection method: Crimp connection, contact surface: Tin, type of packaging: Bulk goods

PTCM 0,5/ 4-PL-2,5 BK - Printed-circuit board connector



1048118

<https://www.phoenixcontact.com/us/products/1048118>

PTSM 0,5/ 4-HH-2,5-SMD R32 - PCB header

1778780

<https://www.phoenixcontact.com/us/products/1778780>



PCB headers, nominal cross section: 0.5 mm², color: black, nominal current: 6 A, rated voltage (III/2): 160 V, contact surface: Tin, contact connection type: Pin, number of potentials: 4, number of rows: 1, number of positions: 4, number of connections: 4, product range: PTSM 0,5/...-HH-SMD, pitch: 2.5 mm, mounting: SMD soldering, pin layout: Linear pinning, number of solder pins per potential: 1, plug-in system: COMBICON PTSM, Pin connector pattern alignment: Standard, locking: without, mounting: without, type of packaging: 32 mm wide tape, Article with anti-rotation pin

PTSM 0,5/ 4-HH0-2,5-SMD R32 - PCB header

1808213

<https://www.phoenixcontact.com/us/products/1808213>



PCB headers, nominal cross section: 0.5 mm², color: black, nominal current: 6 A, rated voltage (III/2): 160 V, contact surface: Tin, contact connection type: Pin, number of potentials: 4, number of rows: 1, number of positions: 4, number of connections: 4, product range: PTSM 0,5/...-HH-SMD, pitch: 2.5 mm, mounting: SMD soldering, pin layout: Linear pinning, number of solder pins per potential: 1, plug-in system: COMBICON PTSM, Pin connector pattern alignment: Standard, locking: without, mounting: without, type of packaging: 32 mm wide tape

PTCM 0,5/ 4-PL-2,5 BK - Printed-circuit board connector



1048118

<https://www.phoenixcontact.com/us/products/1048118>

PTSM 0,5/ 4-HH1-2,5-THR R32 - PCB header

1814799

<https://www.phoenixcontact.com/us/products/1814799>



PCB headers, nominal cross section: 0.5 mm², color: black, nominal current: 6 A, rated voltage (III/2): 160 V, contact surface: Tin, contact connection type: Pin, number of potentials: 4, number of rows: 1, number of positions: 4, number of connections: 4, product range: PTSM 0,5/..-HH-THR, pitch: 2.5 mm, mounting: THR soldering, pin layout: Linear pinning, solder pin [P]: 2 mm, number of solder pins per potential: 1, plug-in system: COMBICON PTSM, Pin connector pattern alignment: Standard, locking: without, mounting: without, type of packaging: 32 mm wide tape, Article with anti-rotation pin

PTSM 0,5/ 4-HH-2,5-THR R32 - PCB header

1778641

<https://www.phoenixcontact.com/us/products/1778641>



PCB headers, nominal cross section: 0.5 mm², color: black, nominal current: 6 A, rated voltage (III/2): 160 V, contact surface: Tin, contact connection type: Pin, number of potentials: 4, number of rows: 1, number of positions: 4, number of connections: 4, product range: PTSM 0,5/..-HH-THR, pitch: 2.5 mm, mounting: THR soldering, pin layout: Linear pinning, solder pin [P]: 2.1 mm, number of solder pins per potential: 1, plug-in system: COMBICON PTSM, Pin connector pattern alignment: Standard, locking: without, mounting: without, type of packaging: 32 mm wide tape

PTCM 0,5/ 4-PL-2,5 BK - Printed-circuit board connector



1048118

<https://www.phoenixcontact.com/us/products/1048118>

PTSM 0,5/ 4-HV-2,5-THR R32 - PCB header

1778573

<https://www.phoenixcontact.com/us/products/1778573>



PCB headers, nominal cross section: 0.5 mm², color: black, nominal current: 6 A, rated voltage (III/2): 160 V, contact surface: Tin, contact connection type: Pin, number of potentials: 4, number of rows: 1, number of positions: 4, number of connections: 4, product range: PTSM 0,5/..-HV-THR, pitch: 2.5 mm, mounting: THR soldering, pin layout: Linear pinning, solder pin [P]: 2 mm, number of solder pins per potential: 1, plug-in system: COMBICON PTSM, Pin connector pattern alignment: Standard, locking: without, mounting: without, type of packaging: 32 mm wide tape

PTSM 0,5/ 4-PI-2,5 BK - Printed-circuit board connector

1709437

<https://www.phoenixcontact.com/us/products/1709437>



PCB connector, nominal cross section: 0.5 mm², color: black, nominal current: 6 A, rated voltage (III/2): 160 V, contact surface: Tin, contact connection type: Pin, number of potentials: 4, number of rows: 1, number of positions: 4, number of connections: 4, product range: PTSM 0,5/..-PI, pitch: 2.5 mm, connection method: Push-in spring connection, conductor/PCB connection direction: 0 °, plug-in system: COMBICON PTSM, locking: without, mounting: without, type of packaging: packed in cardboard

PTCM 0,5/ 4-PL-2,5 BK - Printed-circuit board connector



1048118

<https://www.phoenixcontact.com/us/products/1048118>

PTCM 0,5/ 4-PI-2,5 BK - Printed-circuit board connector

1047898

<https://www.phoenixcontact.com/us/products/1047898>



PCB connector, nominal cross section: 0.75 mm², color: black, nominal current: 6 A, rated voltage (III/2): 160 V, contact surface: Tin, contact connection type: Pin, number of potentials: 4, number of rows: 1, number of positions: 4, number of connections: 4, product range: PTCM 0,5/..-PI, pitch: 2.5 mm, connection method: Crimp connection, conductor/PCB connection direction: 0 °, plug-in system: COMBICON PTSM, locking: Snap-in locking, mounting: Engagement nose, type of packaging: packed in cardboard

CAC-PTCM1015462/D - Cable

1084513

<https://www.phoenixcontact.com/us/products/1084513>



Assembled PCB connector / Connecting cable with 2 printed circuit board connectors, rated current: 6 A, cable length: Free input (0.1 ... 3.0 m), Head 1: 4-position , pitch: 2.5 mm , Crimp connection , Socket, Color: white, Cable type: Individual litz wire, PVC, 22 AWG, white, Head 2: 4-position, pitch: 2.5 mm , Crimp connection , Socket, Color: white, Cable type: Individual litz wire, PVC, 20 AWG, white, Individual litz wire, PVC, 22 AWG, white

PTCM 0,5/ 4-PL-2,5 BK - Printed-circuit board connector



1048118

<https://www.phoenixcontact.com/us/products/1048118>

CAC-PTCM1015462/1015244 - Assembled PCB connectors

1084535

<https://www.phoenixcontact.com/us/products/1084535>



Assembled PCB connector / Connecting cable with 2 printed circuit board connectors, rated current: 6 A, cable length: Free input (0.1 ... 3.0 m), Head 1: 4-position , pitch: 2.5 mm , Crimp connection , Socket, Color: white, Cable type:Individual litz wire, PVC, 22 AWG, white, Head 2: 4-position, pitch: 2.5 mm , Crimp connection , Pin, Color: white, Cable type:Individual litz wire, PVC, 20 AWG, white, Individual litz wire, PVC, 22 AWG, white

Phoenix Contact 2023 © - all rights reserved

<https://www.phoenixcontact.com>

Phoenix Contact USA
586 Fulling Mill Road
Middletown, PA 17057, United States
(+717) 944-1300
info@phoenixcon.com