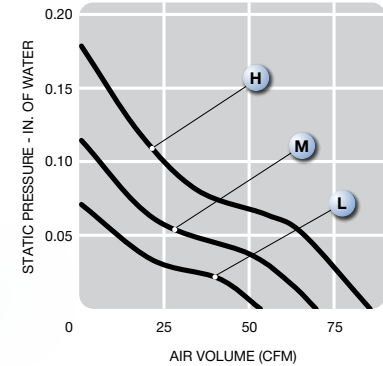
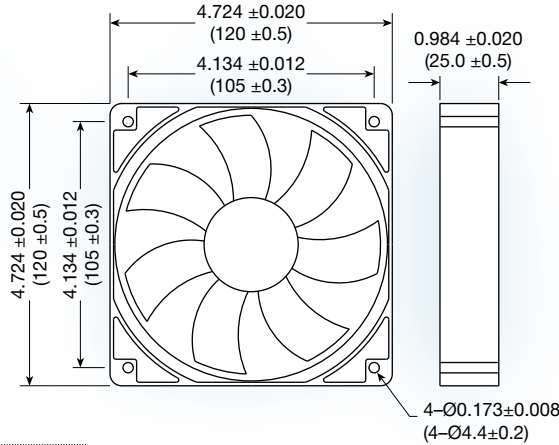


# MS1225-H series



**(120 x 120 x 25 mm)**

4.72 x 4.72 x 1.00 inches

**Features:** soft start, polarity protection, auto-restart

**Operating Voltage:** 12 and 24 VDC

**Construction:** UL94V-0 plastic impeller and plastic frame

**Bearing option:** ball bearing

**Air Flow:** air exhaust over struts

**Options:**

- tachometer;
- locked rotor alarm signal;
- PWM speed control;
- conformal coating;
- encapsulated motor (IP68)



Model No.	Rated Voltage VDC	Current A		Speed RPM	Air Volume		Max. Static Pressure (H <sub>2</sub> O)		Sound Noise dba	Weight g
		12	24		M <sup>3</sup> /Min.	CFM	MM	INCH		
<b>MS1225L-H</b>	12	0.07	-	1,500	1.51	53	1.81	0.07	26	121
<b>MS1225M-H</b>	12/24	0.11	0.06	2,000	1.97	70	2.97	0.11	33	121
<b>MS1225H-H</b>	12/24	0.65	0.14	2,500	2.27	80	4.00	0.16	41	121

\*Additional performance levels available, contact Mechatronics for more options