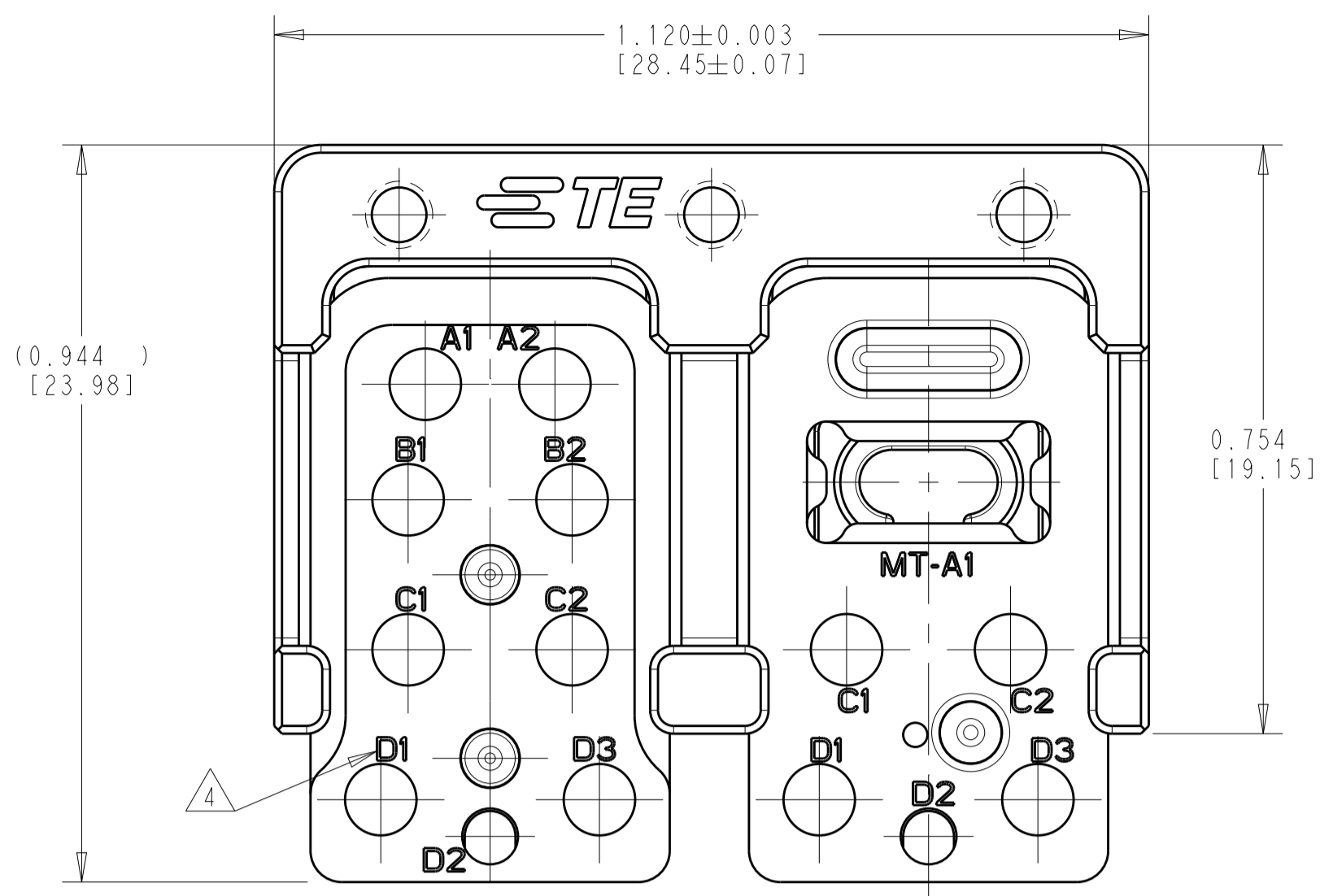
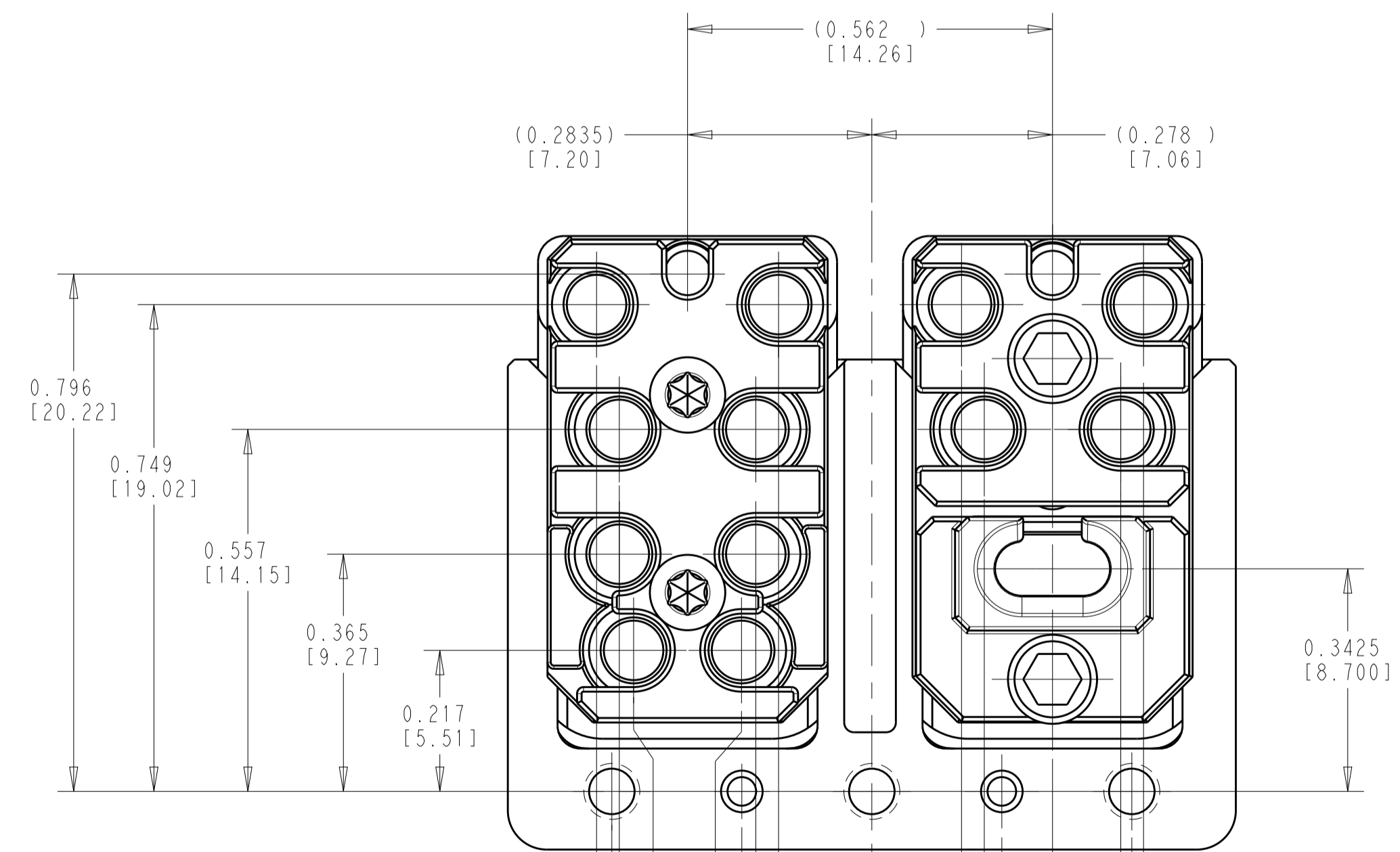
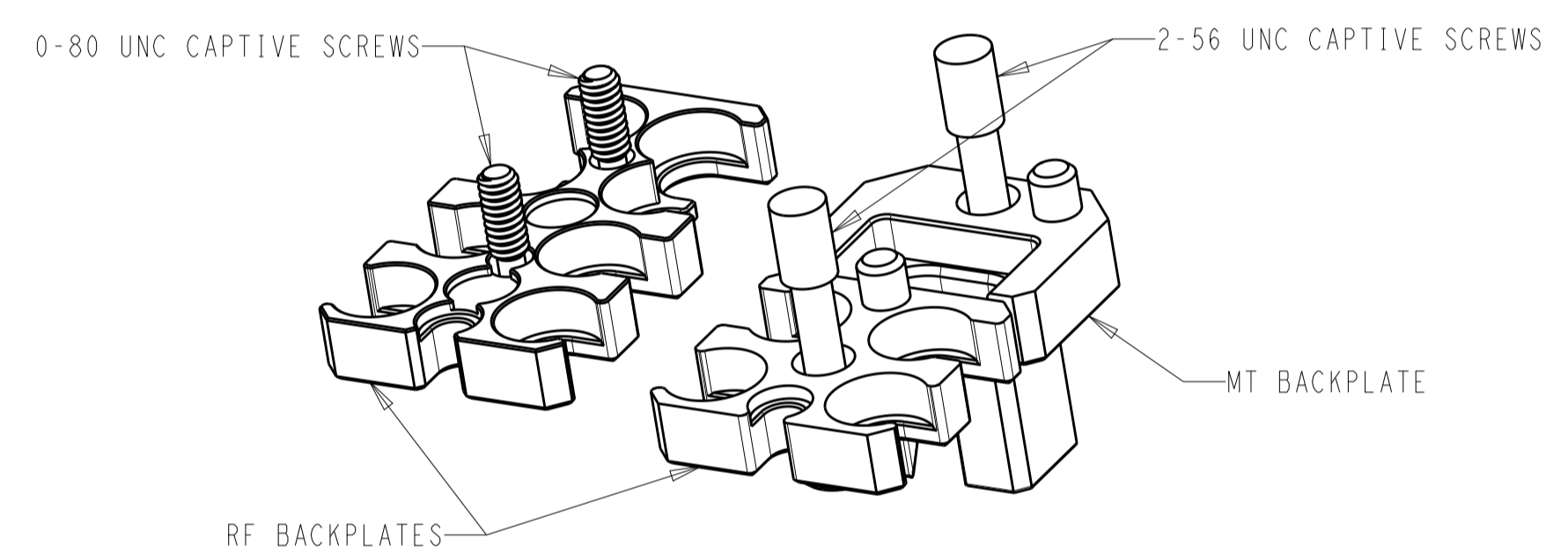
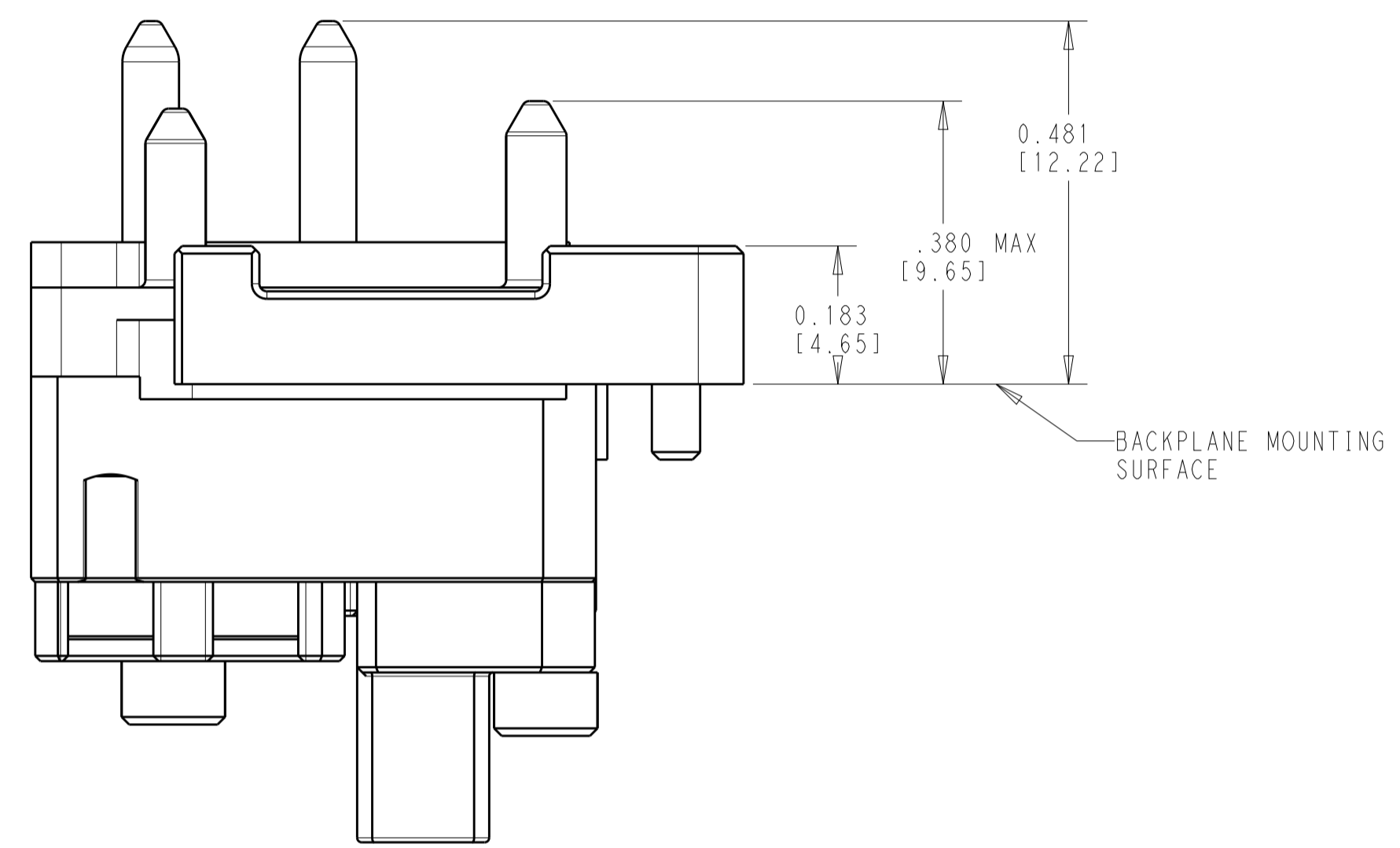
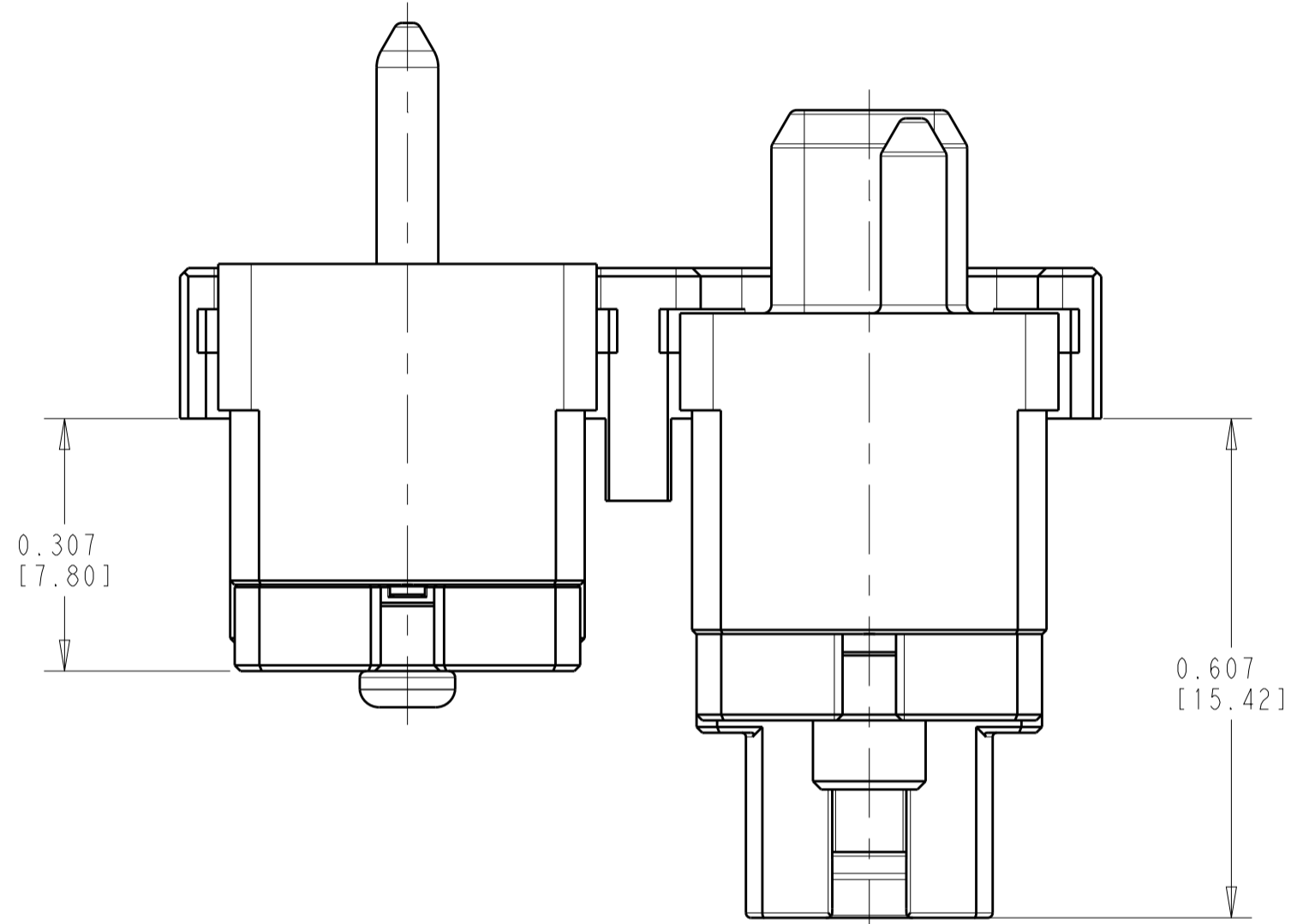
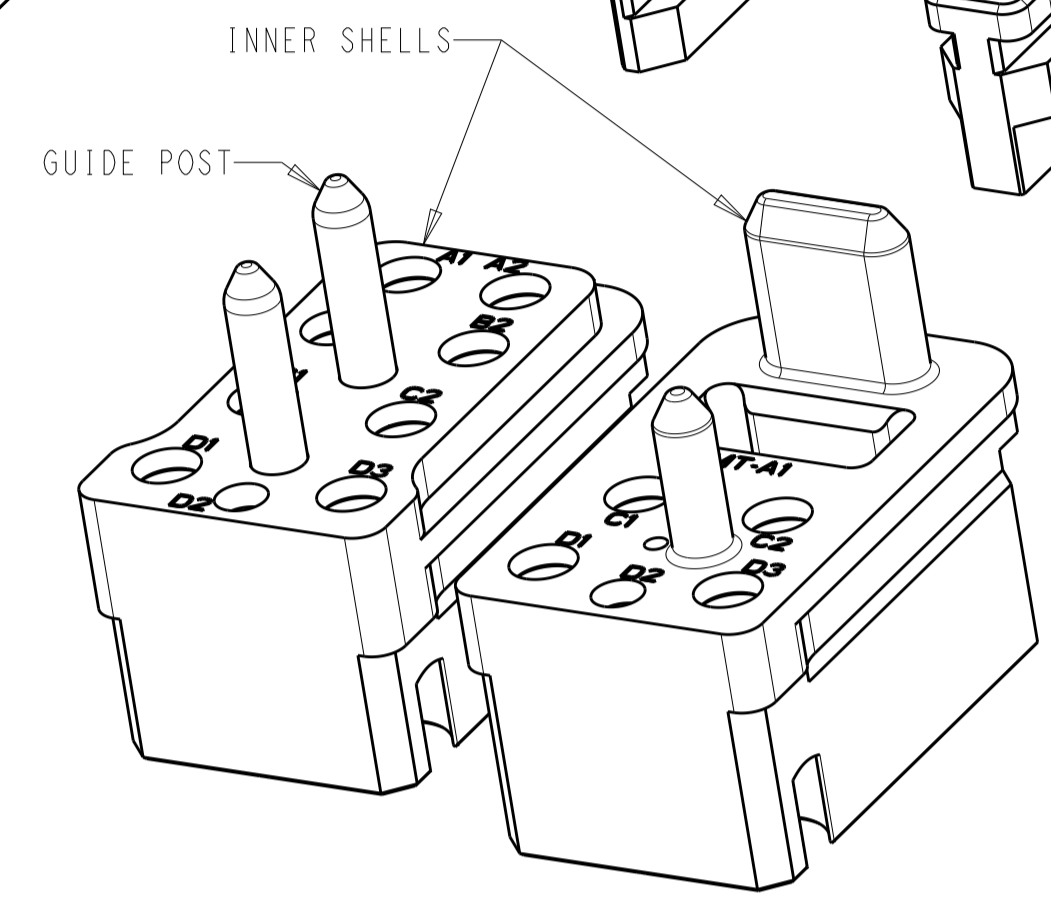
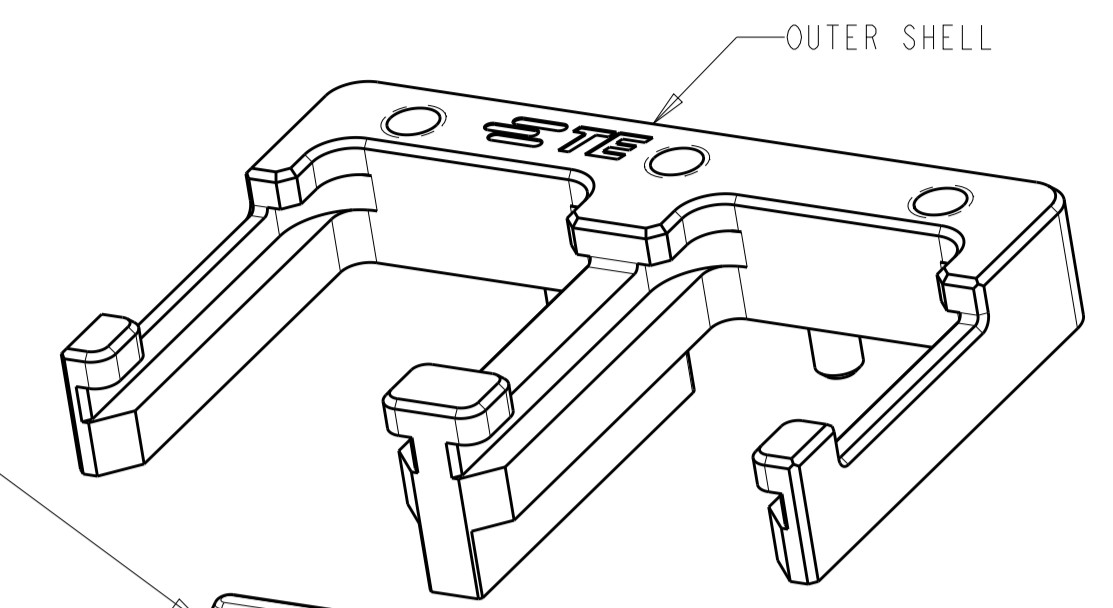
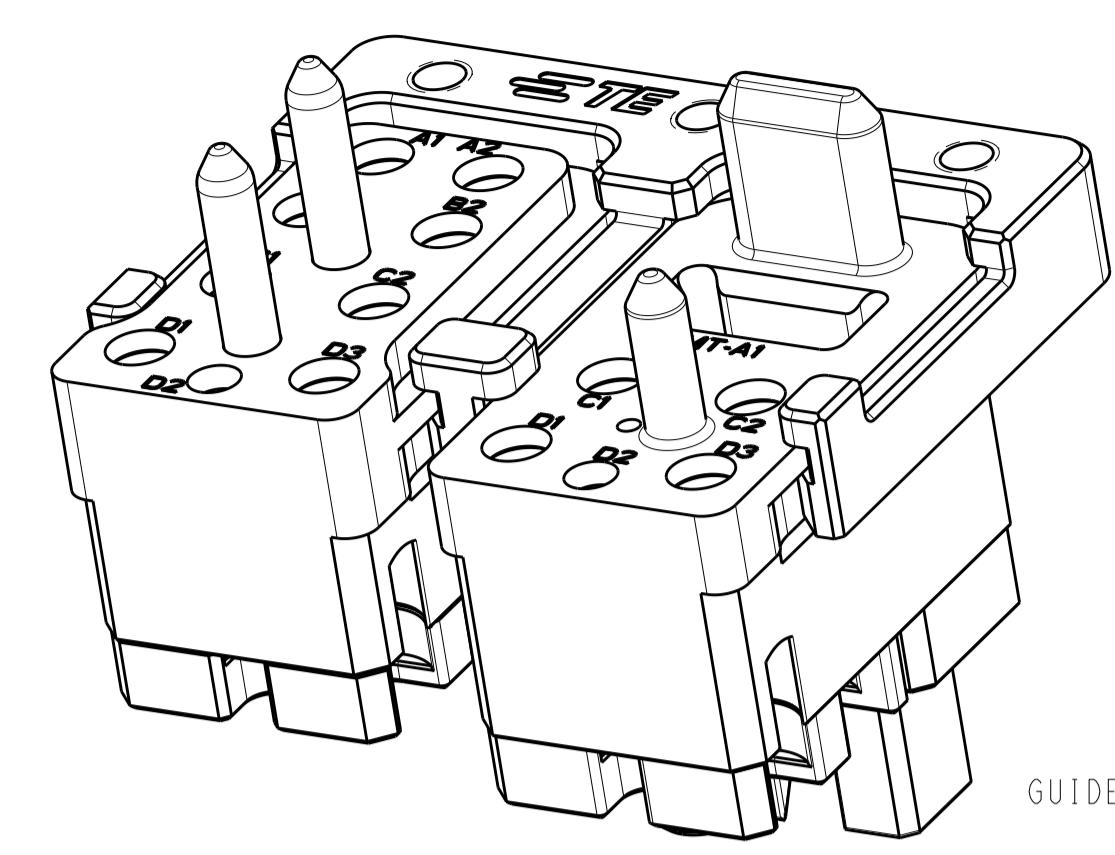


REVISIONS				
P	LTN	DESCRIPTION	DATE	APPD
A		RELEASED PER ECO-20-017928	15DEC2020	KM CG



CIRCUIT	CABLE SIZE
MT-A1	-
A1, A2	.086
B1, B2	.086
C1, C2	.086
D1, D3	.086
D2	.047



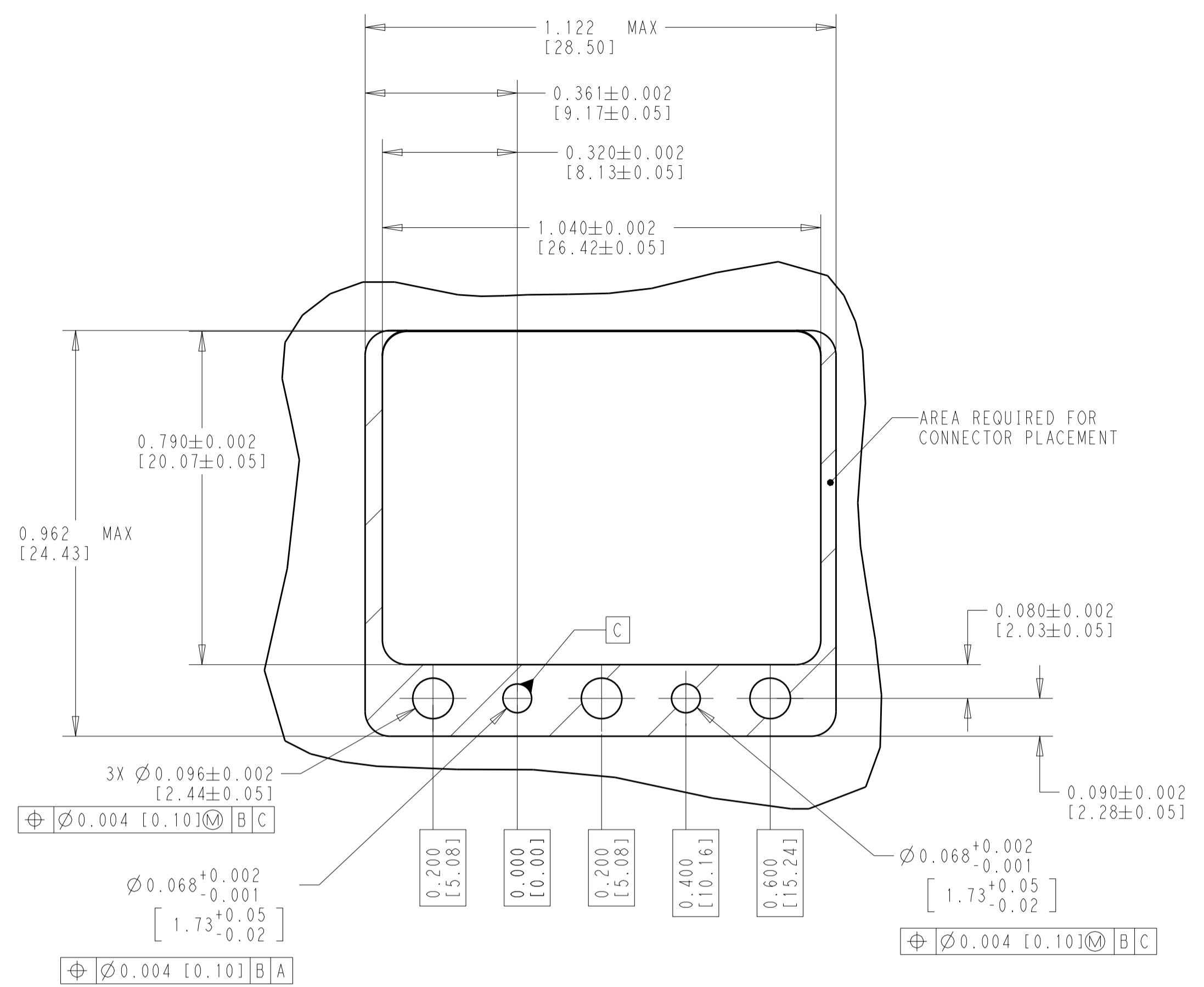
- 0.6235 [15.837]
- 0.8000 [15.240]
- 0.5885 [14.948]
- 0.5665 [14.389]
- 0.4005 [10.173]
- 0.4000 [10.160]
- 0.3785 [9.614]
- 0.3435 [8.725]
- 0.2000 [5.080]
- 0.0620 [1.575]
- 0.0270 [0.686]
- 0.0000 [0.000]
- 0.0780 [1.981]
- 0.1830 [4.648]
- 0.2000 [5.080]
- 0.2180 [5.537]

- 1 MATERIAL: OUTER SHELL, INNER SHELLS AND BACKPLATES - ALUMINUM ALLOY
GUIDE POSTS AND SCREWS - 300 SERIES STAINLESS STEEL
- 2 FINISH: OUTER SHELL, INNER SHELLS AND BACKPLATES - CLEAR CHROMATE CONVERSION COATING
GUIDE POSTS AND SCREWS - PASSIVATED
- 3. SHIPPED IN KIT FORM. BACKPLATE SCREWS TO BE ASSEMBLED TO BACKPLATE.
- 4 CIRCUIT IDENTIFICATION MARKING
- 5. DESIGNED TO BE USED WITH NanoRF CONTACTS 2302345-1 (.047 CABLE) AND 2332772-1 (.086 CABLE) AND MT FERRULE KIT 2332756-1 (12 FIBER) OR 2332756-2 (24 FIBER) ORDERED SEPARATELY.
- 6 PRODUCT SPEC:
NanoRF: 108-163006
MT FIBER OPTIC: 108-163029
- 7 APPLICATION SPEC:
NanoRF: 408-163016
MT FIBER OPTIC: 114-163023

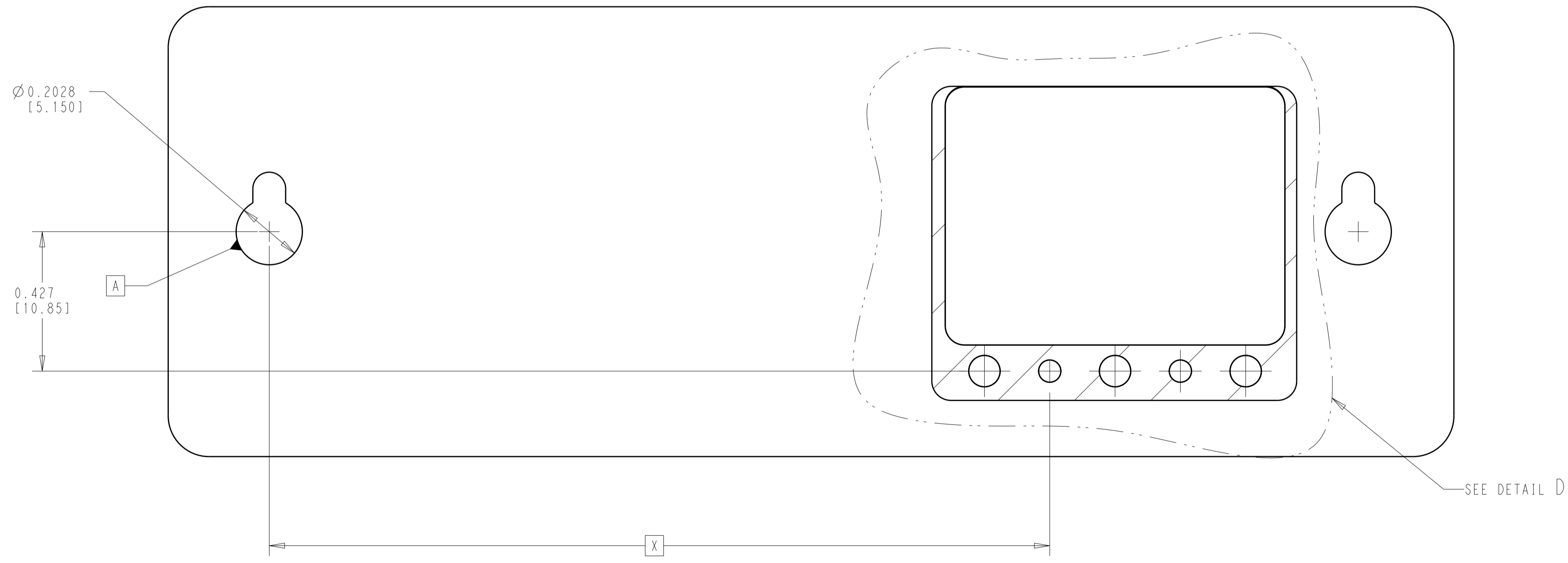
2378047-1
PART NUMBER

THIS DRAWING IS A CONTROLLED DOCUMENT.		OWN: H. MILLER 31JUL2020	TE Connectivity
DIMENSIONS: [INCHES(mm)]		CHK: C. GINGRICH 31JUL2020	
TOLERANCES UNLESS OTHERWISE SPECIFIED:		APVD: -	NAME: NanoRF MODULE, BACKPLANE, 1 POS F/O PLUS 12 POSITION .086 CABLE PLUS 2 POSITION .047 CABLE, SOSA, 14.26mm
0 PLC ±	1 PLC ±	PRODUCT SPEC 6	SIZE: CAGE CODE DRAWING NO. RESTRICTED TO
2 PLC ±	3 PLC ±.005(0.13)	APPLICATION SPEC 7	A 00779 C=2378047
4 PLC ±	ANGLES ±1°	WEIGHT -	SCALE 5:1 SHEET 1 OF 2 REV A
MATERIAL 1	FINISH 2	CUSTOMER DRAWING	

REVISIONS				
P.	LTN.	DESCRIPTION	DATE	APVD.
-	-	SEE SHEET 1	-	-



DETAIL D
SCALE 4:1



REF PCB LAYOUT - SEE VITA 67.3 FIGURE 6.1.4.1-1

J2	2.385[60.58]
J3	3.942[100.13]
J4	5.276[134.00]
J5	6.409[162.80]
J6	7.557[191.95]
POSITION	DIM "X"

DIMENSIONS:		TOLERANCES UNLESS OTHERWISE SPECIFIED:	
INCHES[mm]		0 PLC ±	±
		1 PLC ±	±
		2 PLC ±	±
		3 PLC ±	±0.005[0.13]
		4 PLC ±	±
		ANGLES	±1°
		FINISH	

THIS DRAWING IS A CONTROLLED DOCUMENT.		DWN M. MILLER	31JUL2020
		CHK C. GINGRICH	31JUL2020
		APVD	
PRODUCT SPEC		NAME	
APPLICATION SPEC		NANO RF MODULE, BACKPLANE, 1 POS F/O PLUS 12 POSITION .086 CABLE PLUS 2 POSITION .047 CABLE, SOSA, 14.26mm	
MATERIAL		SIZE	CAGE CODE DRAWING NO
		WEIGHT	A 00779 C=2378047
CUSTOMER DRAWING		SCALE	5:1 SHEET 2 OF 2 REV A