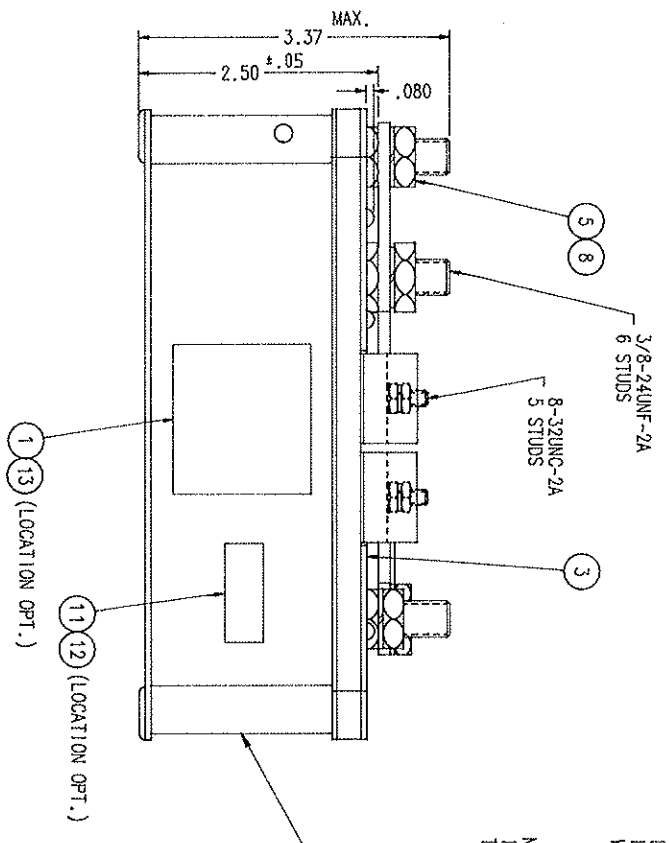
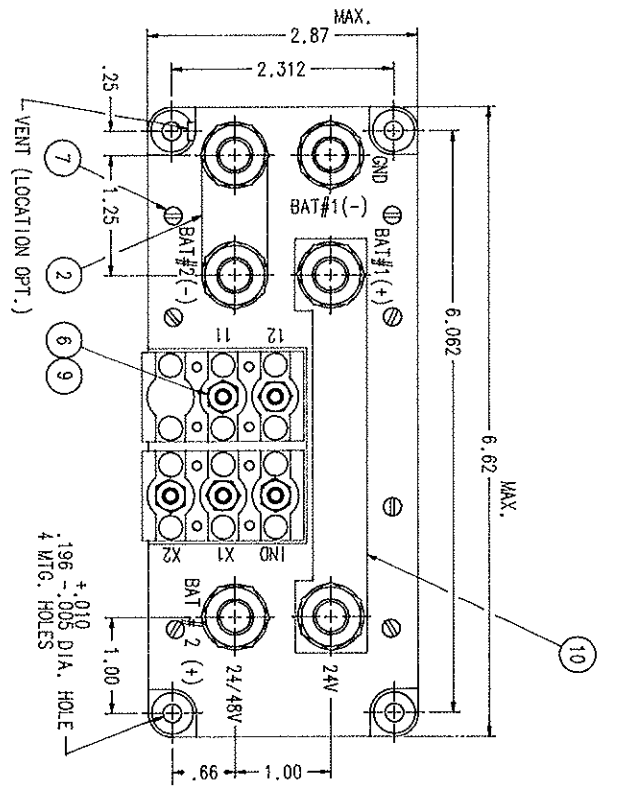


REV.	DESCRIPTION	DATE	APPROVED
T	31154 REDRAWN, FIND NOS 12 & 13 ADDED	96/10/07	RS

REVISIONS
RELEASED 15/08/19



CONSTRUCTION
MAIN CONTACTS
CONFIGURATION
VOLTAGE
CURRENT-N.C.
N.O.

GASKET SEALED (VENTED)

DPST-NC, SPST-NO
24/48 VDC
300 AMP
1000 AMP FOR 30 SEC
1500 AMP INRUSH
CARRY AND BREAK ONLY

AUXILIARY CONTACTS
CONFIGURATION
VOLTAGE
CURRENT
COIL DATA
VOLTAGE
PICKUP MAX
DROPOUT
DUTY

SPST-N.O.
28 VDC
5 AMP

24-30 VDC
20 V
1-7 V
INTERMITTANT

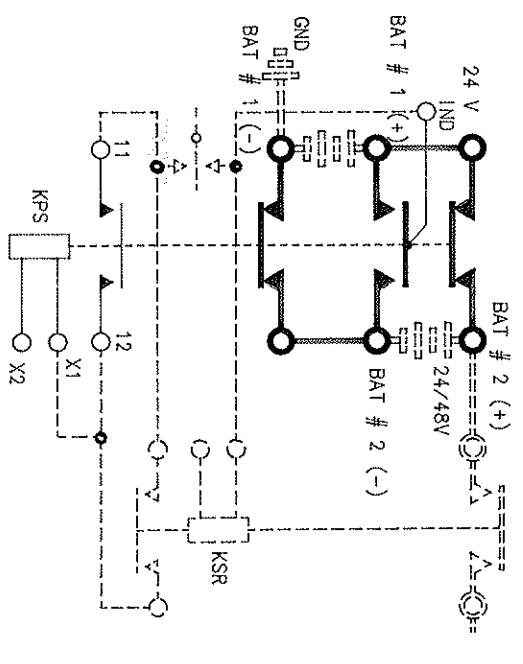
ENVIRONMENTAL DATA
AMBIENT TEMPERATURE

-55° TO +71° C

LIFE ELECTRICAL
LIFE MECHANICAL
WEIGHT MAX. (EST.)

50,000 CYCLES MIN.
100,000 CYCLES MIN.
3 1/2 LBS.

NOTE:
IND SEQUENCES KSR TO DROPOUT AFTER KPS
IND TRANSFERS BATTERIES BACK TO PARALLEL



REF.	FIND NO	QTY	RECD	PART OR IDENTIFYING NO	DESCRIPTION OR NOMENCLATURE	ESCAL NO	DRAWING OR SPECIFICATION	MATERIAL OR NOTE
	13	1		39529-001	OVERLAY			
	12	1		39529-024	OVERLAY			
	11	1		58400-016	PLATE-FAA/PMA			
	10	1		33111-001	JUMPER-BUS BAR			
	9	5		51808-064	WASHER-LOOK-NO. 8 SPLIT			BRONZE
	8	6		51807-084	WASHER-LOOK-3/8 X .688 X .094 SPLIT			BRONZE
	7	7		51200-020	SCREW-NO. 4 X 1/4 PAN HD. SHEETMETAL			S STEEL
	6	5		50408-034	NUT-8-32 X 5/16 X 3/32 HEX			BRASS
	5	6		50407-164	NUT-3/8-24 X 5/8 X 7/32 HEX			BRASS
	4	1		33120-010	CONTACTOR ASSEMBLY-PRIMARY			
	3	1		33108-001	PLATE-BASE COVER			
	2	1		16704-004	BAR-BUS			
	1	1		16043-001	PLATE-NAME			

HARTMAN ELECTRICAL MANUFACTURING
MANSFIELD, OHIO

BATTERY PARALLEL-SERIES
CONTACTOR 300 AMP, 24 VDC

UNLESS OTHERWISE SPECIFIED
DIMENSIONS ARE IN INCHES
TOLERANCES ON

2 PL. DEC. 3 PL. DEC. ANGLES
* .06 * .010 * 1"

SIZE CODE IDENT DWG NO.
C 74063 A-848KH

SCALE NONE SHEET