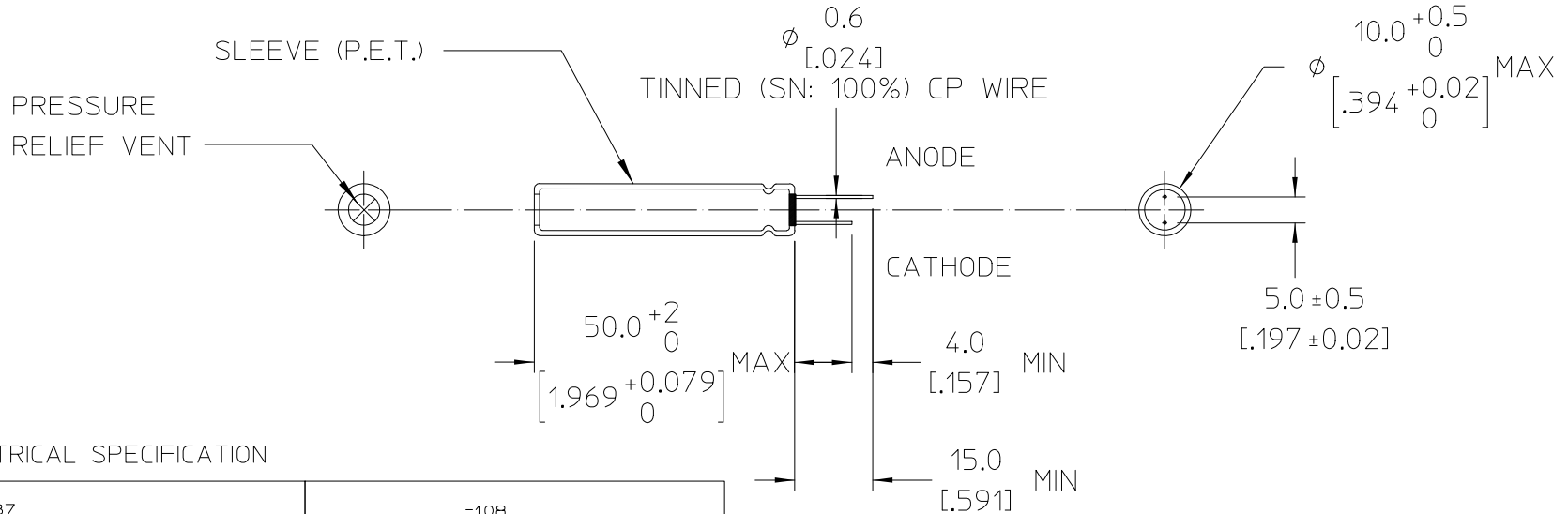


VICOR CONFIDENTIAL

THIS DOCUMENT AND THE DATA DISCLOSED HEREIN OR HEREWITH IS NOT TO BE REPRODUCED, USED, OR DISCLOSED IN WHOLE OR IN PART TO ANYONE WITHOUT PERMISSION OF VICOR CORP.

REV.	DESCRIPTION	DATE	APPROVED
#1	RELEASED PER E101259b	AR 10/12/10	YZ



ELECTRICAL SPECIFICATION

34837	-10B
CAPACITANCE @ 120Hz (+20°C)	1000uF
D.F @ 120 Hz (+20°C)	9.0%
IMPEDANCE @ 100 kHz (+20° C)	0.055 Ω MAX
MAX RIPPLE CURRENT @ 100KHz (105° C)	2270 mA _{rms} MAX
RATED WORKING VOLTAGE	63V
CAPACITANCE TOLERANCE	±20%
OPERATING TEMPERATURE RANGE	-55° C TO +105° C
DC LEAKAGE CURRENT @ 20° C, RATED VOLTAGE	1890 μA MAX
SURGE VOLTAGE	79 VDC

NOTES:

1. ALL DIMENSIONS IN MILLIMETER [INCH]
2. POLARITY TO BE MARKED ON BODY OF CAPACITOR.
3. RoHS COMPLIANT, LEAD FREE PER CST-0001 LATEST REVISION.

DRAWN BY <i>S ASHRAF</i>	DATE 5/15/08			
UNLESS OTHERWISE SPECIFIED DIMENSIONS ARE MM [INCH] TOLERANCES ARE: DECIMALS ANGLES X.X [X.XX] = ±0.25 [0.01] ±° X.XX [X.XXX] = ±0.127 [0.005]		CAP ALEL XXXμF 20% 63V 10X50 RADIAL		
THIRD ANGLE PROJECTION 	SIZE B	CAGE CODE 67131	DWG NO 34837-XXX	REV 1
DO NOT SCALE DRAWING	SCALE 1:1	SHEET 1 OF 1		