

As a new generation of connectors approaches the market, Gamma is leading with a better way to seal and protect RF connections. Gamma's series of Slide Locks provide protection against harsh weather conditions, UV and ozone. They can also be easily opened and closed several times to access the connector. Traditional weatherproofing methods such as tapes and mastics are becoming more and more difficult to install due to the limited amount of space on Remote Radio Units (RRU) and antenna units.



Slide Locks reduce installation time and provide protection from connector degradation and corrosion. They protect jumper to jumper and jumper to antenna/RRU and LMR600 connections. When installed properly our enclosures weather proof to the IP-68 standard.



Characteristics

Please Note: Slide Locks will not work on compression or field-terminated connections

- No Tools, Tapes or Mastics Needed for Installation
- Particularly Easy to Install and Reuse Again and Again
- Broad Operating Temperature from -40°C to 90°C
- Installation Temperature -30°C to 60°C
- Protects Against Water Intrusion and Weather Proof Rated to IP68
- Enclosures May Be Opened and Closed Several Times and Still Protect and Weatherproof Connections
- Designed for Harsh Weather Conditions, UV & Ozone Resistance
- Resistant to vibration, temperature fluctuations and moderate impact
- Small foot print makes for easy install for units that have a high quantity of ports. (8-16)

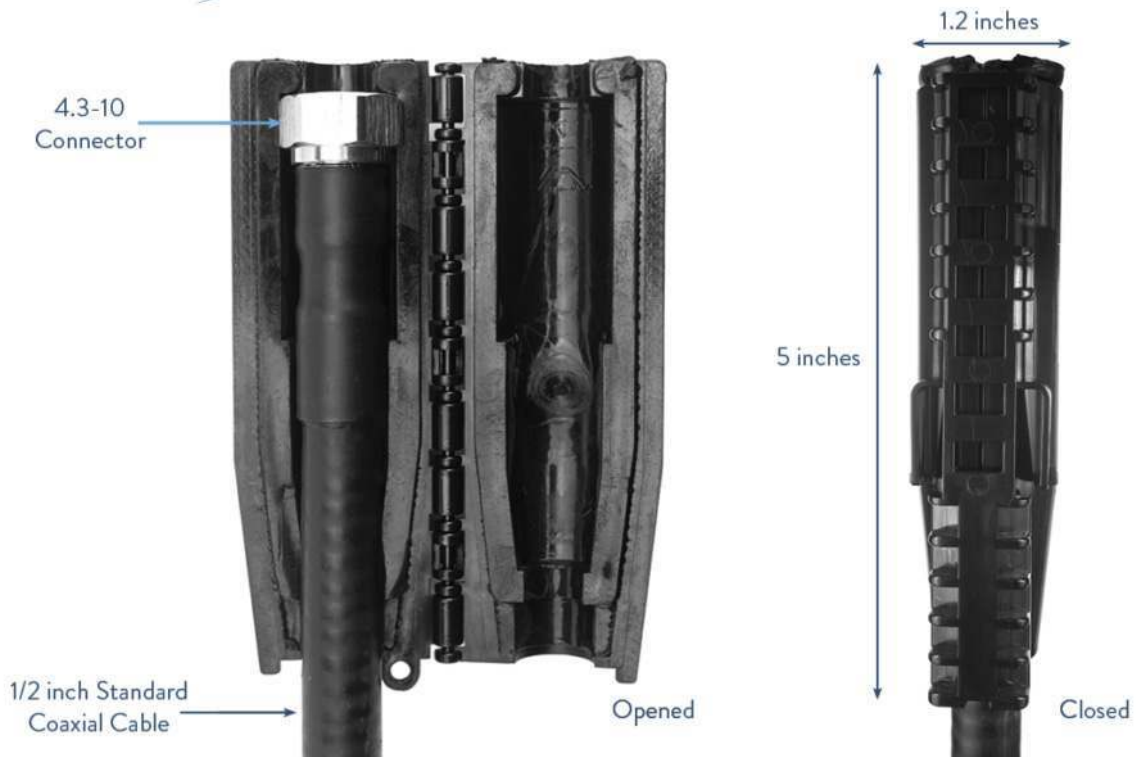
Sizing and Applications

GAMMA ELECTRONICS 7/16 DIN Slide Lock (TS-12/ASP)



View from Top of the Slide Lock

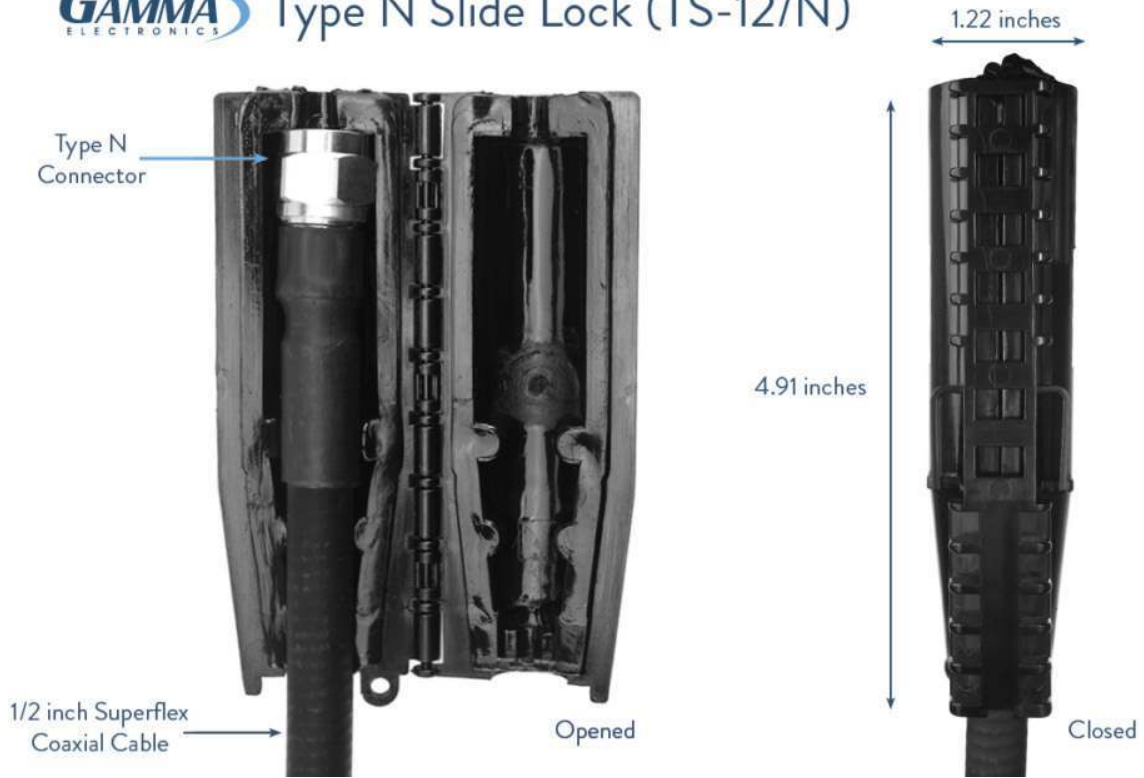
GAMMA 4.3-10 Slide Lock (TS-12/4310)
ELECTRONICS



View from Top of the Slide Lock



Type N Slide Lock (TS-12/N)



View from Top of the Slide Lock

Ordering Information

Gamma PN	AT&T	Cable Size	Connectors
TS-12/ASP	CEQ.41783	1/2 inch Standard Coaxial Cable	7/16 DIN
TS-12/4310	CEQ.41785	1/2 inch Standard Coaxial Cable	4.3-10 (Mini DIN)
TS-12/N	-----	1/2 Inch Superflex & LMR600 Cables	Type N

For best protection and proven results, follow the installation instructions in each slide lock kit. For any questions about the product, feel free to reach out to Gamma Electronics Inc.

Property of Gamma Electronics Inc.

2818 Metropolitan Place, Suite A
Pomona, CA 91767
www.gammaelectronics.net