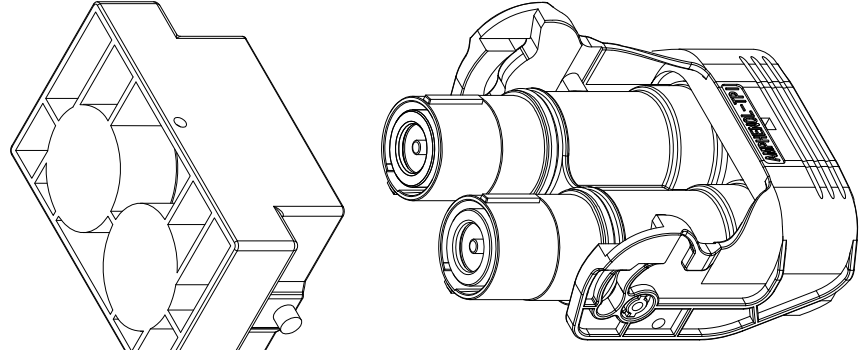
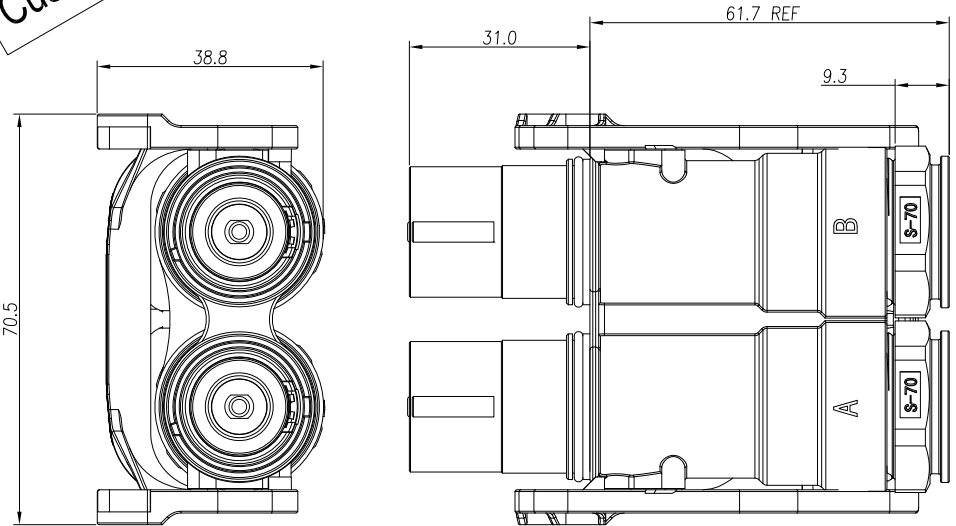


THIS DRAWING IS SUPPLIED FOR INFORMATION ONLY. DESIGN FEATURES, SPECIFICATIONS AND PERFORMANCE DATA SHOWN HEREON ARE THE PROPERTY OF THE AMPHENOL CORPORATION. NO RIGHTS OF REPRODUCTION ARE IMPLIED. ALL DIMENSIONS ARE SUBJECT TO NORMAL MANUFACTURING VARIATIONS.

REV		ZONE	ECO	REVISIONS		
DESCRIPTION		DATE	BY	APPR		
1	--	--		INITIAL RELEASE	09/30/18	Fred JL

Customer Drawing

A
B
C
D
E
F

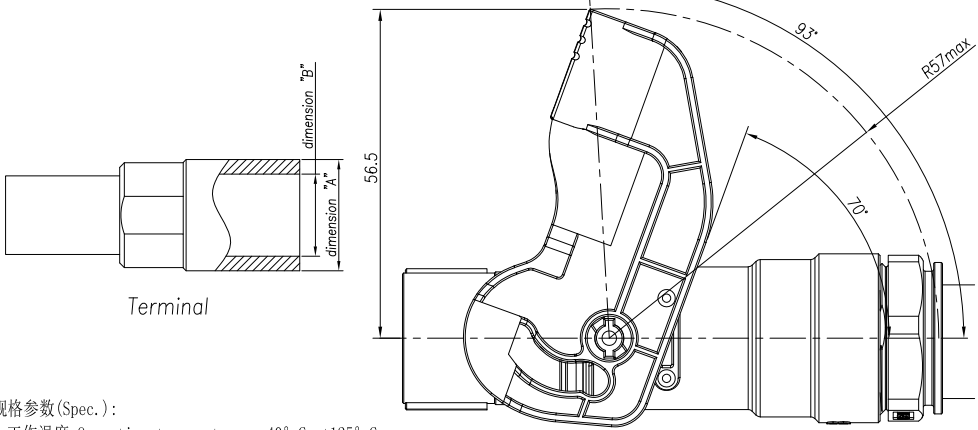


Standard Part List (With HVIL)

P/N	Model NO.	overall-diameter nominal (mm)	outside-diameter of terminal (mm): "A"	inside-diameter of terminal (mm): "B"
EX-HA003528	PL182X-301-95	19.9±0.3	19.1±0.3	14.1±0.3
EX-HA003529	PL182Y-301-95			

Standard Part List (Without HVIL)

P/N	Model NO.	overall-diameter nominal (mm)	outside-diameter of terminal (mm): "A"	inside-diameter of terminal (mm): "B"
EX-HA003526	PL182X-300-95	19.9±0.3	19.1±0.3	14.1±0.3
EX-HA003527	PL182Y-300-95			



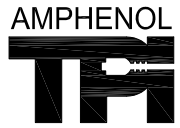
建议线束固定点位于连接器后100mm处

规格参数 (Spec.):

1. 工作温度 Operating temperature: -40° C~+125° C.
2. 额定电流 Current rating (Connector Only): 95mm²:300A.
3. 额定电压 Operating voltage:1000 VDC.
4. 耐电压 Dielectric withstanding voltage: 5000 VDC.
5. 防护等级 Protection class:IP67 & IP2X.
6. 电磁屏蔽 Shielding.
7. 机械寿命 Mating cycle:100 Min.
8. 带自动二次锁扣 Automatic secondary lock.
9. 带高压互锁 Electrical interlock (HVIL).
10. 对配插座见图纸 Mating receptacle see drawing: PL082-300.
10. 推荐线缆 Recommended cable : HS 84100299.

订购信息 Ordering Information

PL18 2 X - 30 1 - 95			
键位及颜色 Key "X" Key "Y" Key	高压互锁 HVIL 0, 不带互锁 No HVIL 1, 带互锁 With HVIL	线缆大小 Cable Size "95"=95mm ² Use H+S 95mm ² Cable	



Amphenol Technical Products International Asia.

第三角投影 THIRD ANGLE PROJECTION		页面 SHEET	幅面 SIZE	版次 REV.	比例 SCALE	PART NAME: PwrLok 10mm 2POS Plug Conn
1 of 1		A3	1			DWG NO: PL182(X)-30()-95
签名 SIGNATURE	日期 DATE	UNLESS OTHERWISE SPECIFIED				CUST PART #:
制图 DRAWN	Fred	1) All dimensions are in metric (mm). 2) Tolerances are as follows: 0 PL DEC ±1.00 1 PL DEC ±0.50 2 PL DEC ±0.20				N/A
审核 CHECKED		Angles ±1°				CUST REV. -
批准 APPROVAL						

1 2 3 4 5 6 7 8