

4

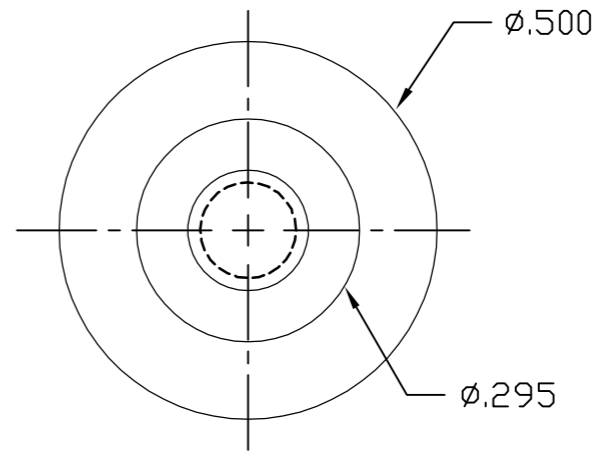
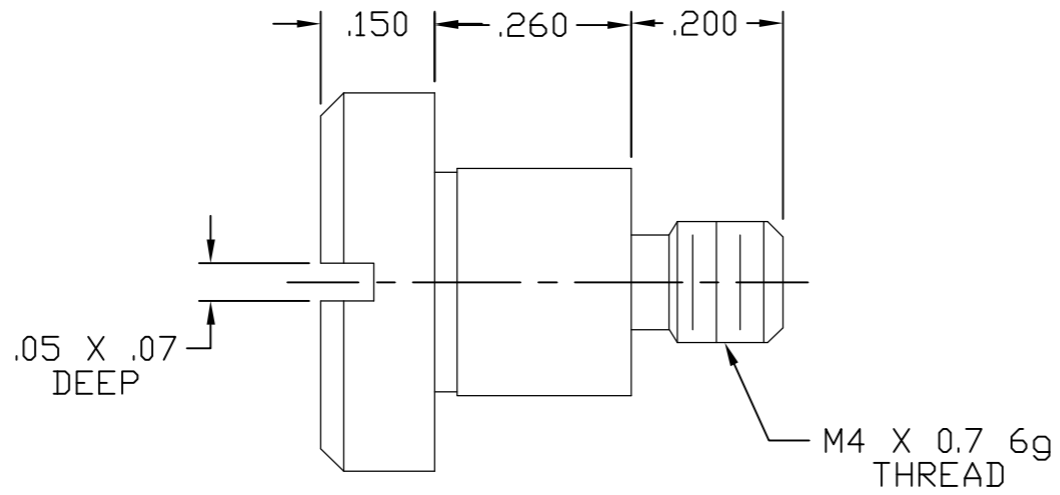
3

2

1

This drawing involves proprietary design rights of Tyco Electronics Corporation, and all design, manufacture, reproduction, use and sale rights regarding the same are expressly reserved. It is submitted for a specific purpose and the recipient by accepting this drawing, assumes custody and control and agrees to take reasonable precautions; (a) that this drawing will not be copied and reproduced, in whole or in part, or its contents revealed in any manner, or to any person except to meet the purpose for which it was delivered and (b) that any special features peculiar to this design will not be incorporated in other projects without the expressed written permission of Tyco Electronics Corporation.

REVISIONS			
EC	REV	DESCRIPTION	DATE
CPR	A	NEW RELEASE	4/5/06



B

B

A

A

1650589-1
TYCO PART NUMBER

- 3. ELCON EQUIVALENT SERIES 903-19-02113.
- 2. MATERIAL: STAINLESS STEEL.
- 1. PART NUMBER CHANGES AND OR DESIGN CHANGES AFFECTING ITEM INTERCHANGEABILITY REQUIRE PRIOR TYCO APPROVAL AND AUTHORIZATION BY REVISION TO THIS DRAWING.

INCH OR INCH (MM) THIRD ANGLE PROJECTION UNLESS OTHERWISE SPECIFIED DIMENSIONS ARE IN INCHES (METRIC) TOLERANCES ANGLES $\pm .5^\circ$ DECIMALS .XXX $\pm .010$ (.25) .XX $\pm .02$ (.3)	DRAWN R. F. A.	DATE 4/5/06	Tyco Electronics Corporation Menlo Park, Ca 94025		
	CHECKED		TITLE SCREW, SHOULDER .500 DIA, SLOTTED HEAD M4 X 0.7 THD		
	APPROVED S. FLICKINGER		SIZE B	DWG NUMBER C- 1650589	REV. A
	DCA APPROVED		ACAD FILE NUMBER C1650589A DWG SCALE 4=1 SH 1 OF 1		

4

3

2

1