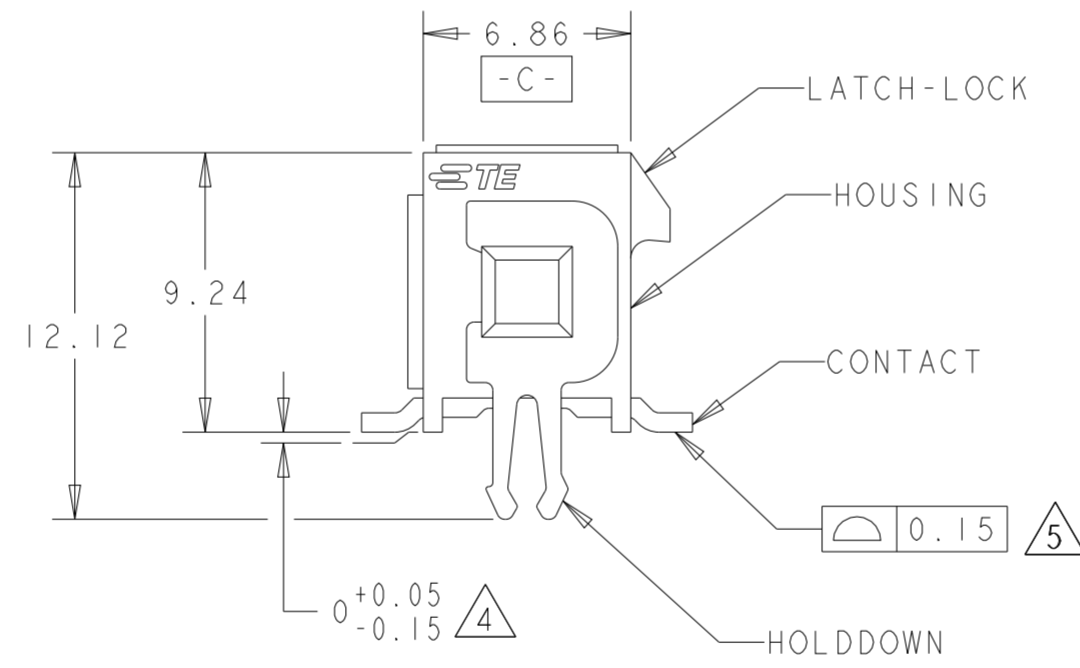
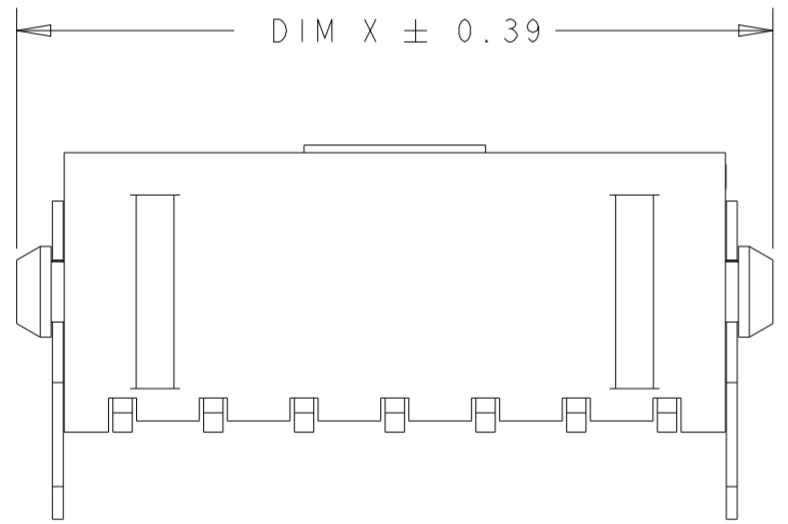
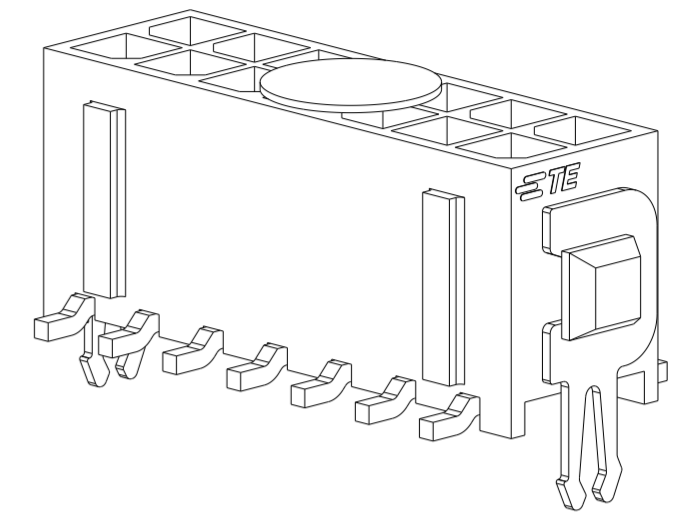
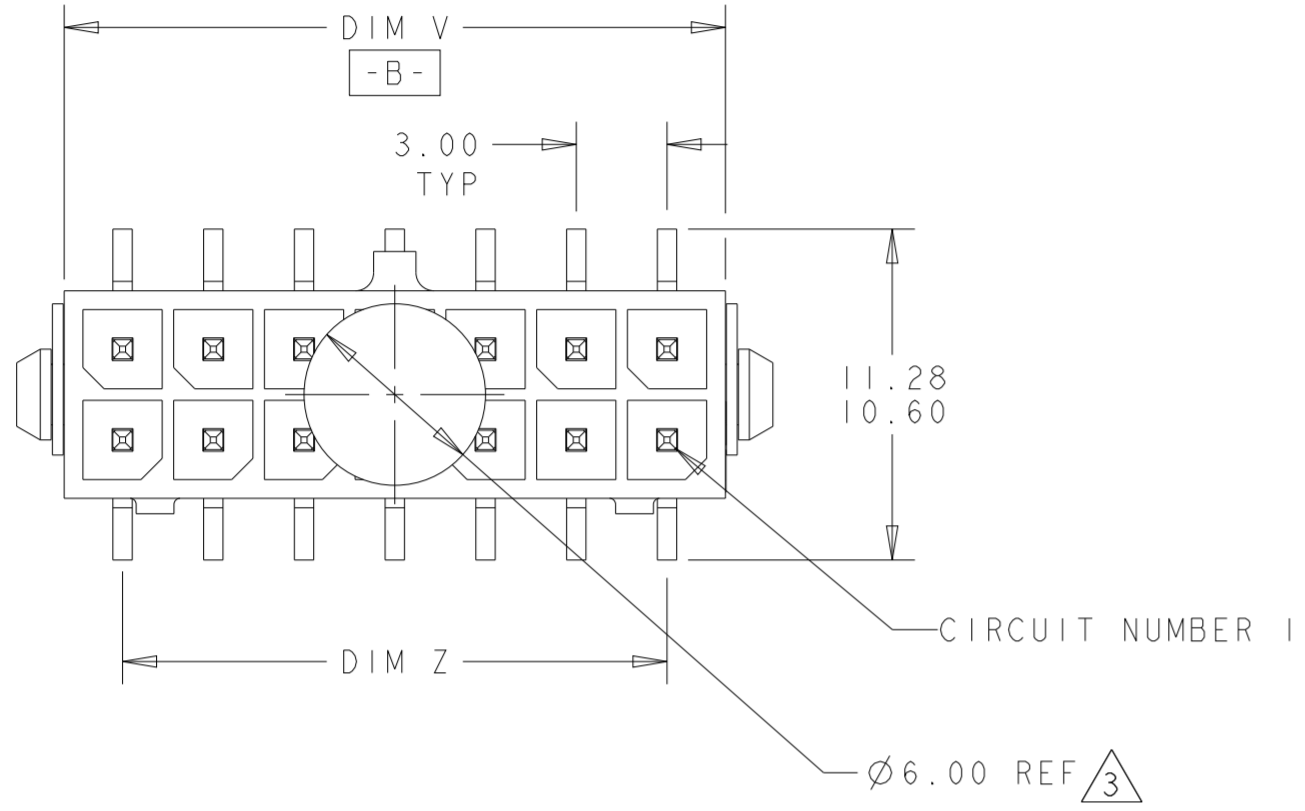


THIS DRAWING IS UNPUBLISHED. RELEASED FOR PUBLICATION 20
 © COPYRIGHT 20 BY - ALL RIGHTS RESERVED.

REVISIONS					
P	LTR	DESCRIPTION	DATE	DWN	APVD
J2		REVISED PER ECR-17-017609	04DEC2017	JB	DZ
J3		ECO-19-006502	30APR2019	AP	WS
J4		REVISED PER ECN-23-206968	10APR2023	WLS	VS



- 1 MATERIAL;
 HOUSING - UL 94V-0 RATED HIGH TEMP NYLON, COLOR BLACK.
 CONTACTS - BRASS.
 HOLDDOWNS - PHOSPHOR BRONZE.
- 2 RECOMMENDED PC BOARD THICKNESS OF 1.57.
- 3 KAPTON VACUUM PICK UP BUTTON.
- 4 DIMENSION APPLIES TO SOLDER TAIL SURFACES AND STANDOFF SURFACES.
- 5 ALL SOLDER TAILS.
- 6 PLATING;
 CONTACTS - 0.38µm MINIMUM GOLD ON MATING AREA.
 2.54µm MATTE TIN MINIMUM ON SOLDER TAILS.
 ALL OVER 1.27µm MINIMUM NICKEL.
 HOLDDOWNS - 2.54µm MINIMUM MATTE TIN OVER 1.27µm MINIMUM NICKEL.
- 7 COUNTERPART RECOMMENDED IS PN 794617 (DASH ACC. TO NUMBER OF POSITION).
- 8 FOR REELING DIRECTION AND PACKAGING TYPE, SEE SPECIFICATION 114-13000.

36.86	37.30	33.00	40.00	24	5-794634-4
33.86	34.30	30.00	37.00	22	5-794634-2
30.86	31.30	27.00	34.00	20	5-794634-0
27.86	28.30	24.00	31.00	18	4-794634-8
24.86	25.30	21.00	28.00	16	4-794634-6
21.86	22.30	18.00	25.00	14	4-794634-4
18.86	19.30	15.00	22.00	12	4-794634-2
15.86	16.30	12.00	19.00	10	4-794634-0
12.86	13.30	9.00	16.00	8	3-794634-8
9.86	10.30	6.00	13.00	6	3-794634-6
6.86	7.30	3.00	10.00	4	3-794634-4
3.86	4.30	-	7.00	2	3-794634-2
DIM V	DIM Y	DIM Z	DIM X	NO. OF POSN.	PART NUMBER

THIS DRAWING IS A CONTROLLED DOCUMENT.

DWN K. WHITAKER 19MAR2003
 CHK C. JONES 19MAR2003
 APVD C. JONES 19MAR2003

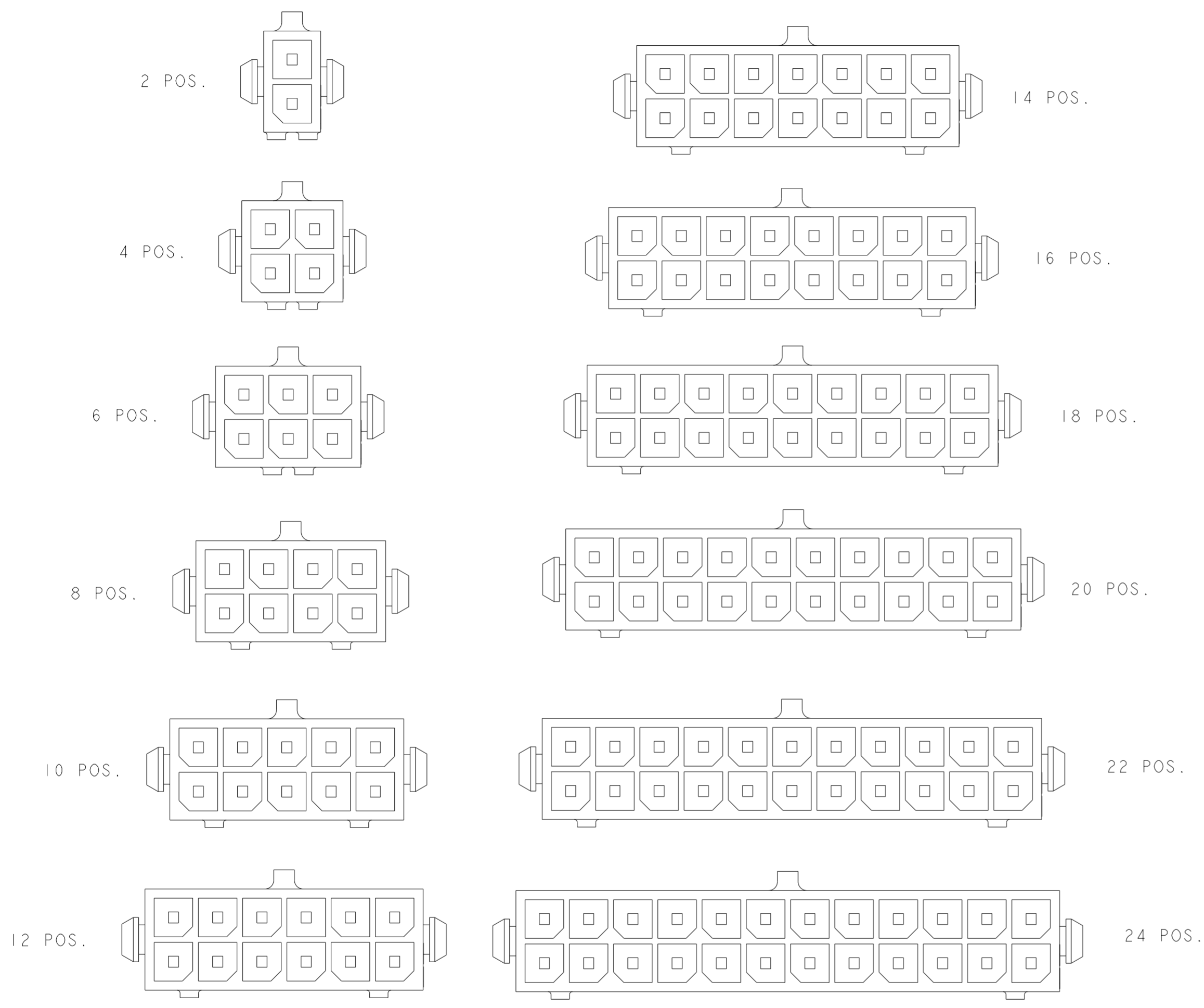
DIMENSIONS: mm
 TOLERANCES UNLESS OTHERWISE SPECIFIED:
 0 PLC ±
 1 PLC ±
 2 PLC ±0.13
 3 PLC ±
 4 PLC ±
 ANGLES ±1°
 FINISH

PRODUCT SPEC 108-1836
 APPLICATION SPEC 114-13000
 WEIGHT -

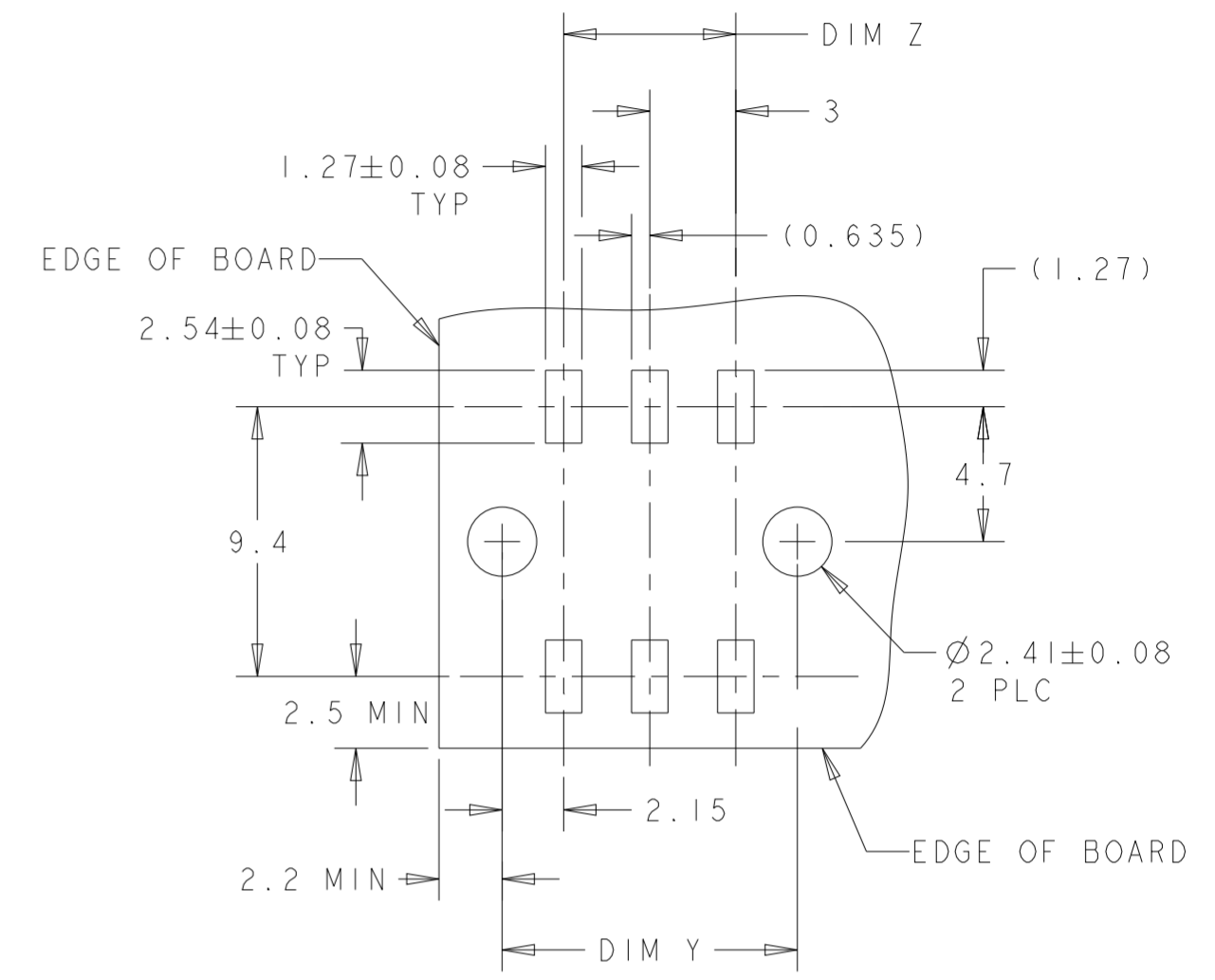
STE TE Connectivity
 NAME SURFACE MOUNT, VERTICAL, MECHANICAL HOLDDOWN, ASSEMBLY, 15 GOLD HEADER, DUAL ROW, MICRO MATE-N-LOK™
 SIZE A2 CAGE CODE 0779 DRAWING NO C-794634 RESTRICTED TO -
 CUSTOMER DRAWING SCALE 4:1 SHEET 1 OF 2 REV J4

THIS DRAWING IS UNPUBLISHED. RELEASED FOR PUBLICATION 20
 © COPYRIGHT 20 BY - ALL RIGHTS RESERVED.

REVISIONS				
P	LTR	DESCRIPTION	DATE	APVD
-	-	SEE SHEET 1	-	-



KEYING BY POSITION SIZE



RECOMMENDED PCB LAYOUT (COMPONENT SIDE)

THIS DRAWING IS A CONTROLLED DOCUMENT.		DWN K. WHITAKER 19MAR2003	TE Connectivity	
DIMENSIONS: mm		CHK C. JONES 19MAR2003		
TOLERANCES UNLESS OTHERWISE SPECIFIED:		APVD C. JONES 19MAR2003	NAME SURFACE MOUNT, VERTICAL, MECHANICAL HOLDDOWN, ASSEMBLY, 15 GOLD HEADER, DUAL ROW, MICRO MATE-N-LOK	
		PRODUCT SPEC 108-1836	SIZE A2	CAGE CODE 0779
MATERIAL		APPLICATION SPEC 114-13000	DRAWING NO G-794634	RESTRICTED TO
FINISH		WEIGHT	SCALE 4:1	SHEET 2 OF 2
-		CUSTOMER DRAWING	REV J4	