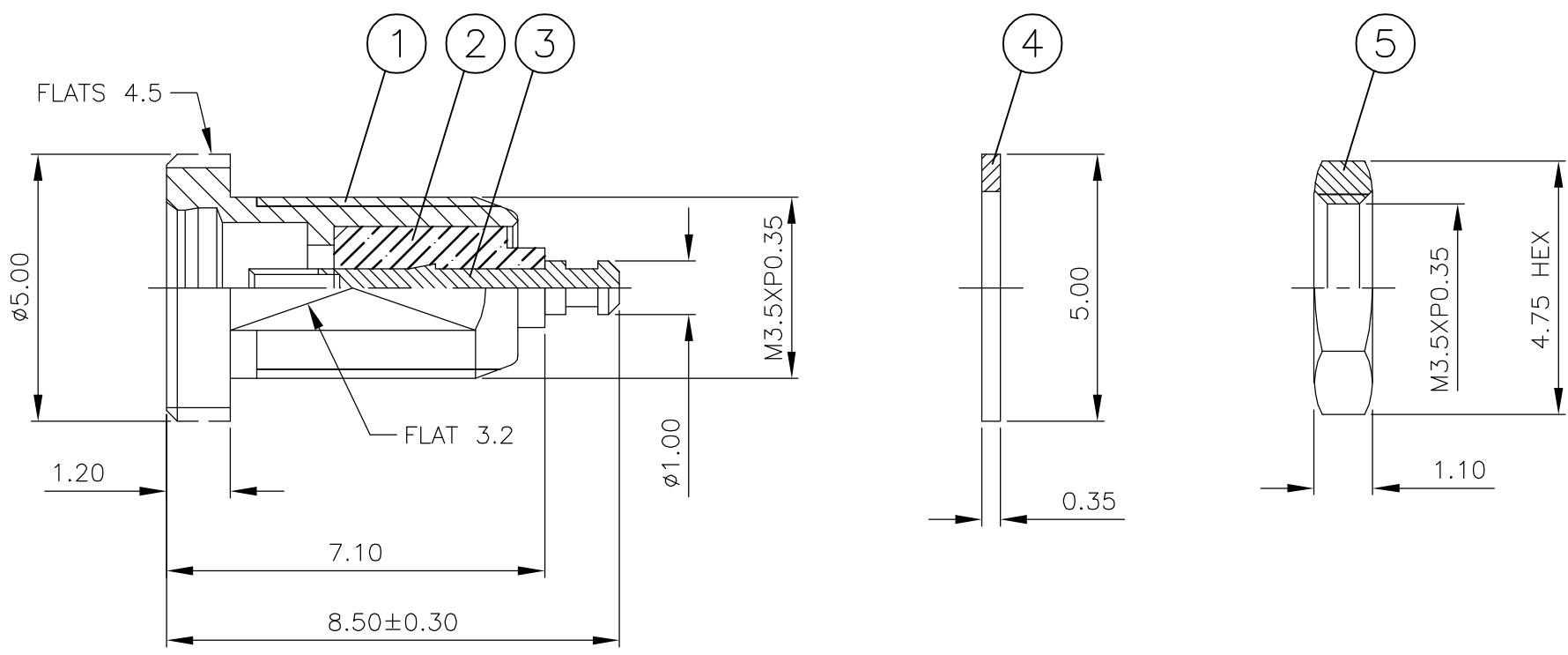


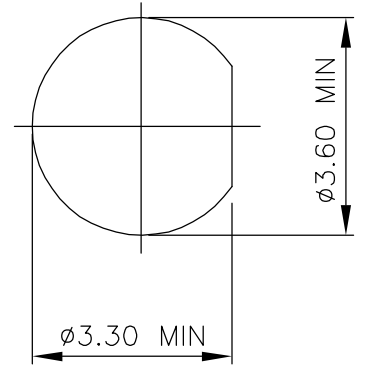
THIS DRAWING IS UNPUBLISHED. RELEASED FOR PUBLICATION NOV ,2003.
 © COPYRIGHT 2003 BY TYCO ELECTRONICS CORPORATION. ALL RIGHTS RESERVED.

LOC	DIST	REVISIONS			
P	LTR	DESCRIPTION	DATE	DWN	APVD
E	B	B	EBD0-0248-03	12NOV03	JMS FWK

- 1 SINGLE PACK IN ACCORDANCE WITH SPEC 107-3275
- 2 100 TRAY PACK IN ACCORDANCE WITH SPEC 107-3275
- 3 0.76µm Au PLATING OVER 1.27µm Ni PLATING OVER 0.76µm Cu PLATING
- 4 0.08µm Au PLATING OVER 1.27µm Ni PLATING OVER 0.76µm Cu PLATING



RECOMMENDED MOUNTING HOLE



QTY	QTY	MATERIAL	DESCRIPTION	ITEM
1	1	BRASS	NUT	5
1	1	BRASS	WASHER	4
1	1	BERYLLIUM COPPER	SOCKET	3
1	1	PTFE	INSULATOR	2
1	1	BRASS	BODY	1
6--0	1--0			
2	1			

THIS DRAWING IS A CONTROLLED DOCUMENT.		DWN J.SANDWELL 12NOV03	Tyco Electronics Corporation Stanmore, Middlesex, HA7 4RS	
DIMENSIONS: MM		CHK S.PARLOW 12NOV03		
TOLERANCES UNLESS OTHERWISE SPECIFIED:		APVD F.WHEELER-KING 12NOV03	NAME MMCX STRAIGHT BULKHEAD JACK RECEPTACLE 50 OHMS	
0 PLC ± - 1 PLC ± - 2 PLC ± - 3 PLC ± - 4 PLC ± - ANGLES ± -		PRODUCT SPEC 108-3462	DRAWING NO A3 00779 C-1634011	
MATERIAL SEE TABLE		APPLICATION SPEC 411-3278	RESTRICTED TO	
FINISH SEE TABLE		WEIGHT -	SCALE NTS	SHEET 1 OF 1
CUSTOMER DRAWING			REV B	