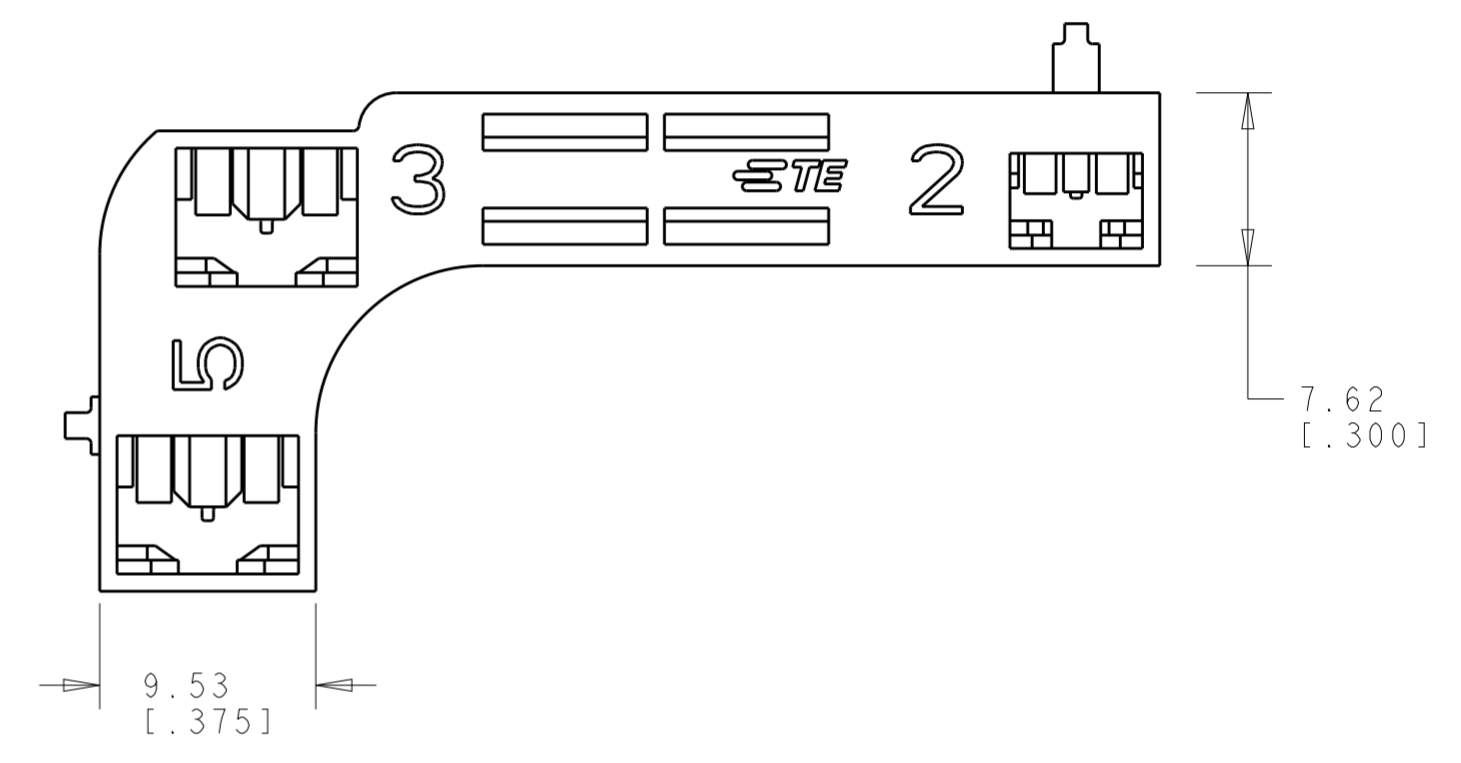
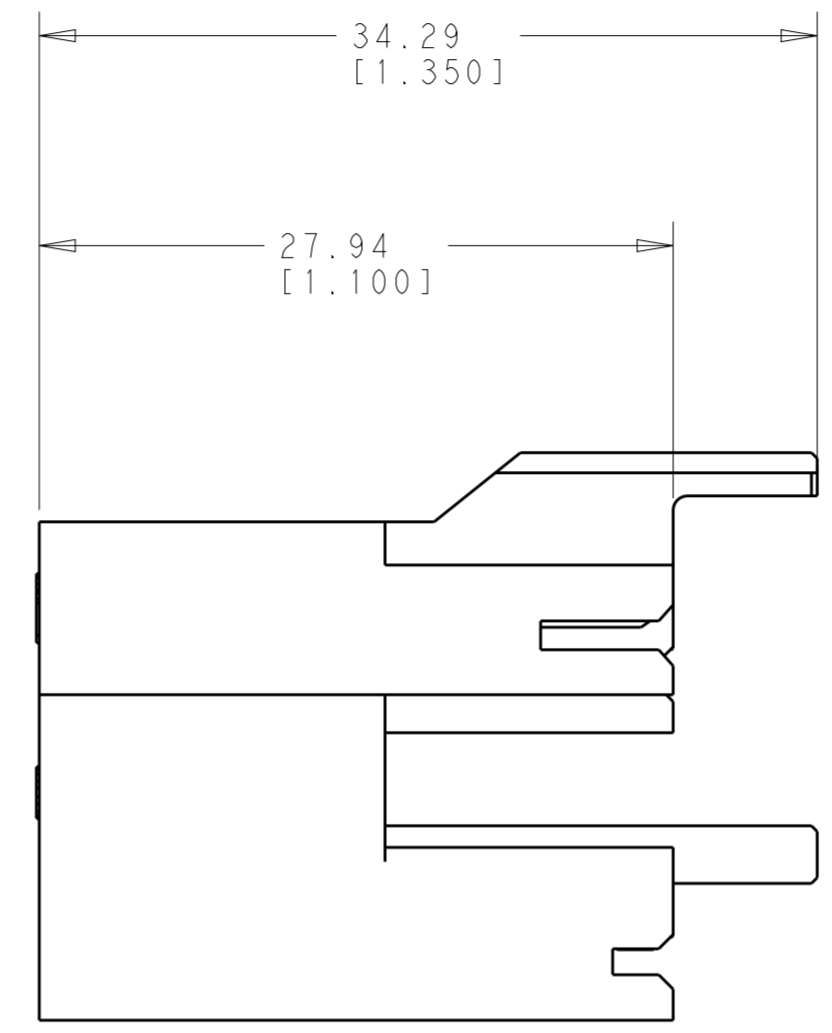
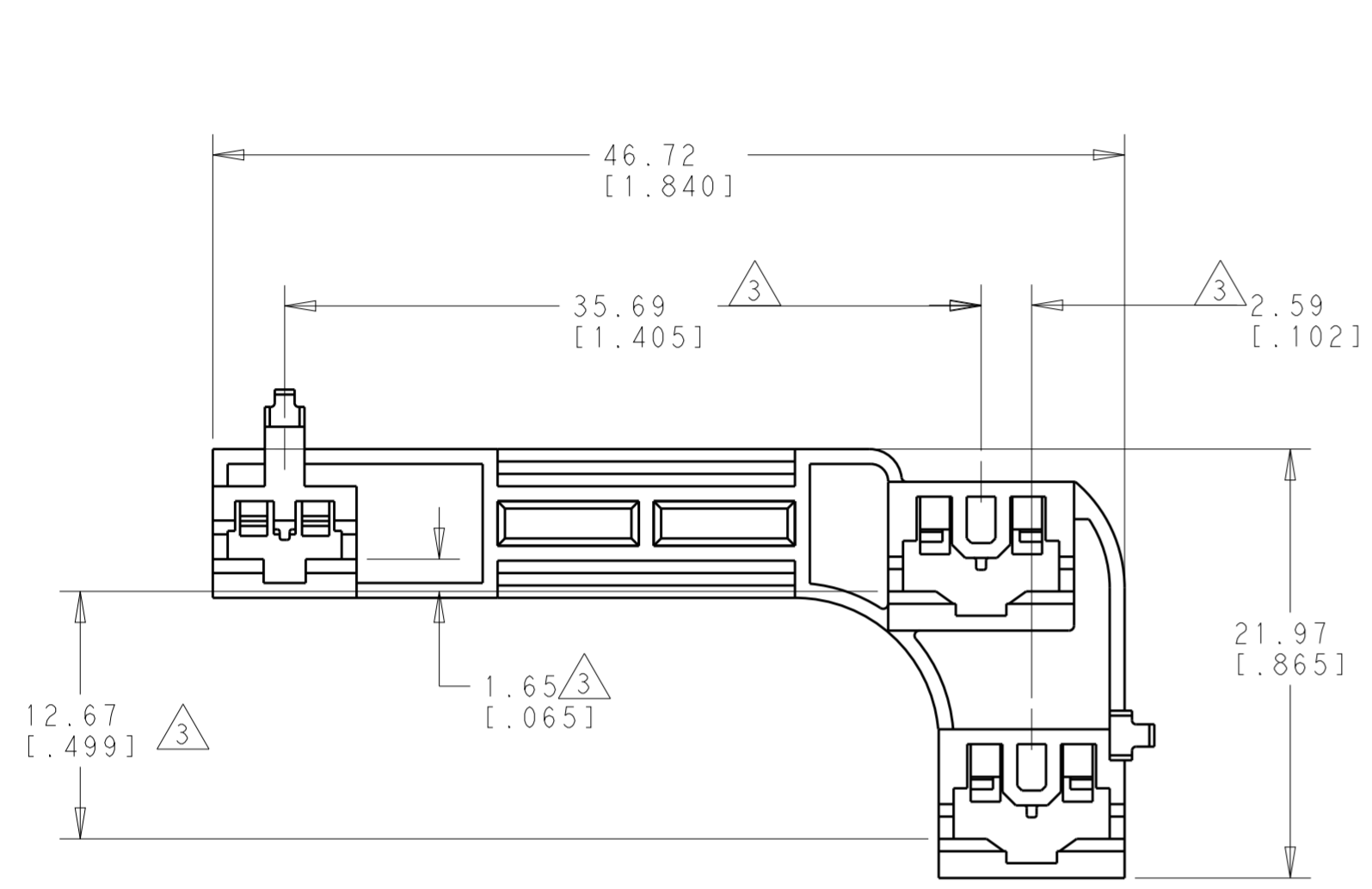
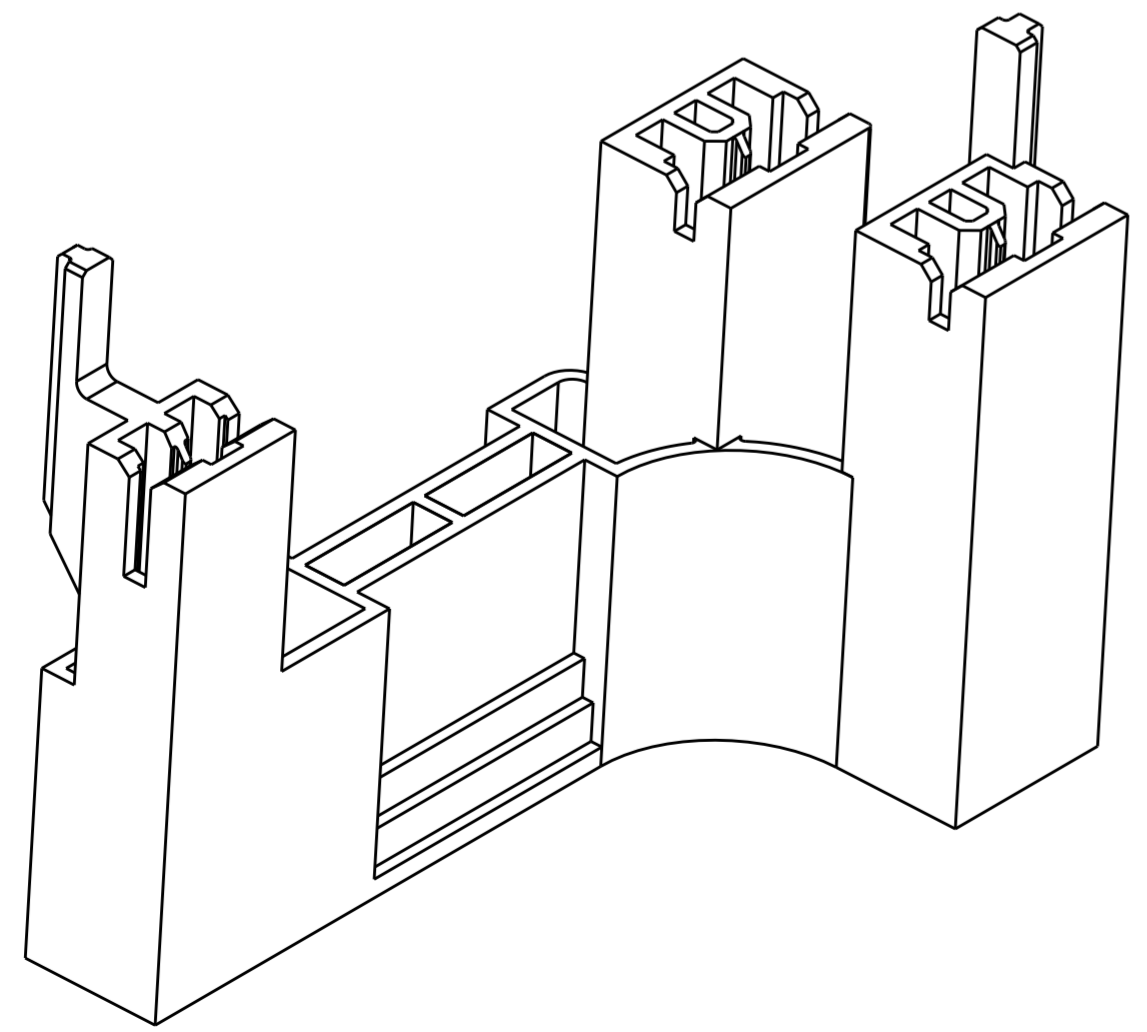


THIS DRAWING IS UNPUBLISHED. RELEASED FOR PUBLICATION
 © COPYRIGHT - BY - TE CONNECTIVITY ALL RIGHTS RESERVED.

REVISIONS				
P	LTR	DESCRIPTION	DATE	APVD
A2		REVISED PER ECO-19-012700	16AUG2019	RS LB



- USE WITH 250 SERIES MARK II POSITIVE LOCK TERMINALS 2238155, 2238156 OR 170329 AND 187 SERIES MARK II POSITIVE LOCK TERMINAL 173691
 - NOTE DELETED
- 3 SWITCH RECOMMENDED TAB LAYOUT TO BE WITHIN ±0.127 [.005] OF TE HOUSING CENTERLINES AND CONFORM TO .250 X .032 AND .187 X .032 UL 310 DIMENSIONS



THIS DRAWING IS A CONTROLLED DOCUMENT.		DWN 17FEB2017 BASVESH WARAD	V0, 130C	NATURAL	1969870-1
DIMENSIONS: mm [INCHES]		CHK 17FEB2017 DIDONATO, MICHAEL	RATINGS	COLOR	PART NUMBER
TOLERANCES UNLESS OTHERWISE SPECIFIED: 0 PLC ± 1 PLC ± 2 PLC ±0.38 [.015] 3 PLC ± 4 PLC ± ANGLES ±5° FINISH -		APVD 17FEB2017 DIDONATO, MICHAEL	TE Connectivity 3 POS POSITIVE LOCK 250 & 187 MARK II		
MATERIAL NYLON		PRODUCT SPEC - APPLICATION SPEC - WEIGHT -			
CUSTOMER DRAWING			RESTRICTED TO -	SCALE 3:1	SHEET 1 OF 1
			REV A2		