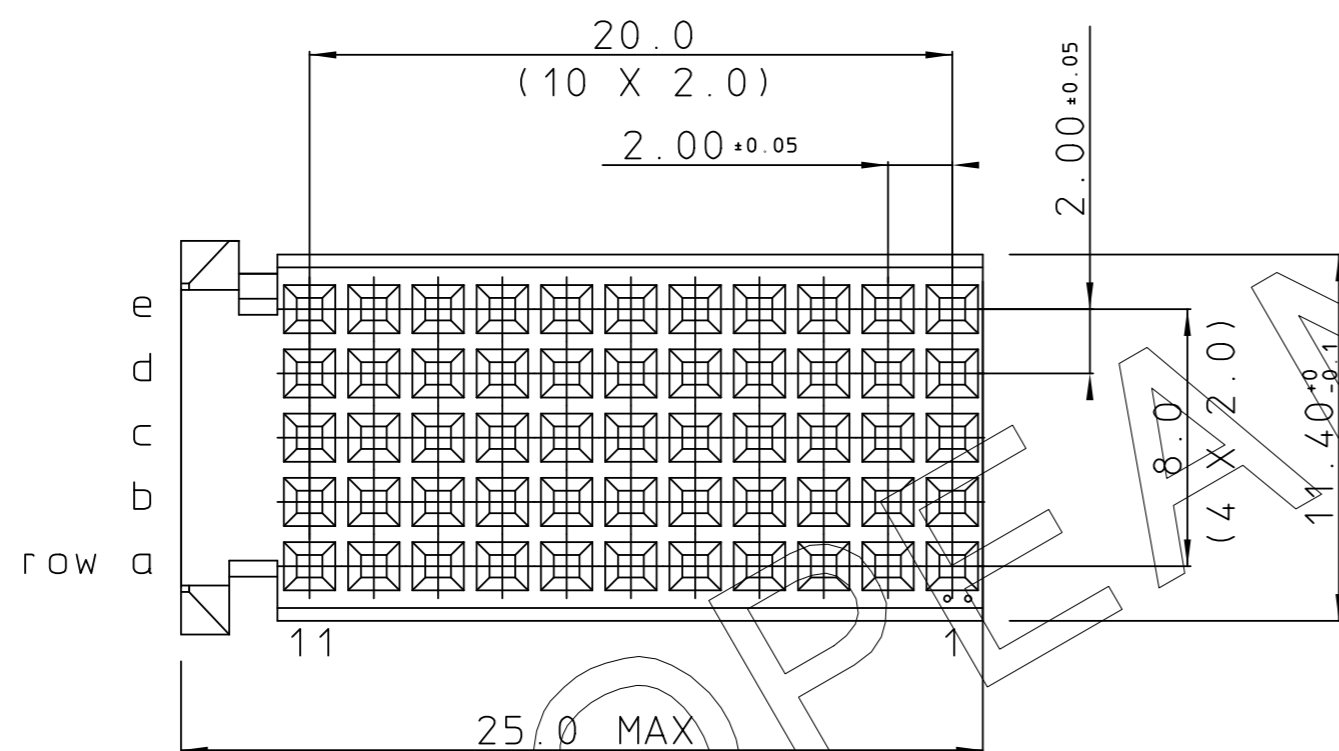
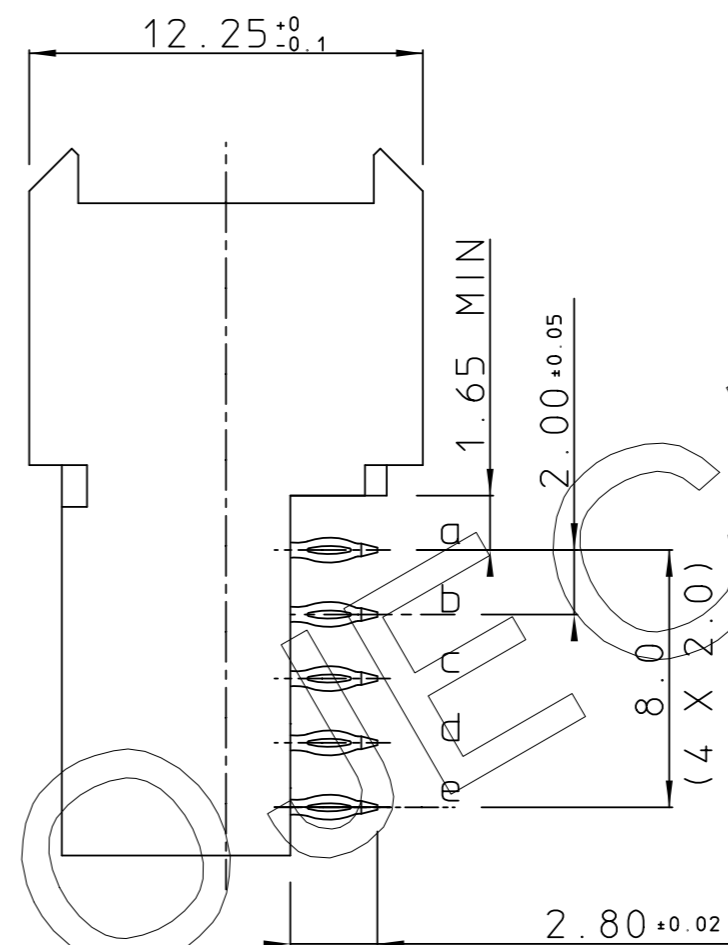
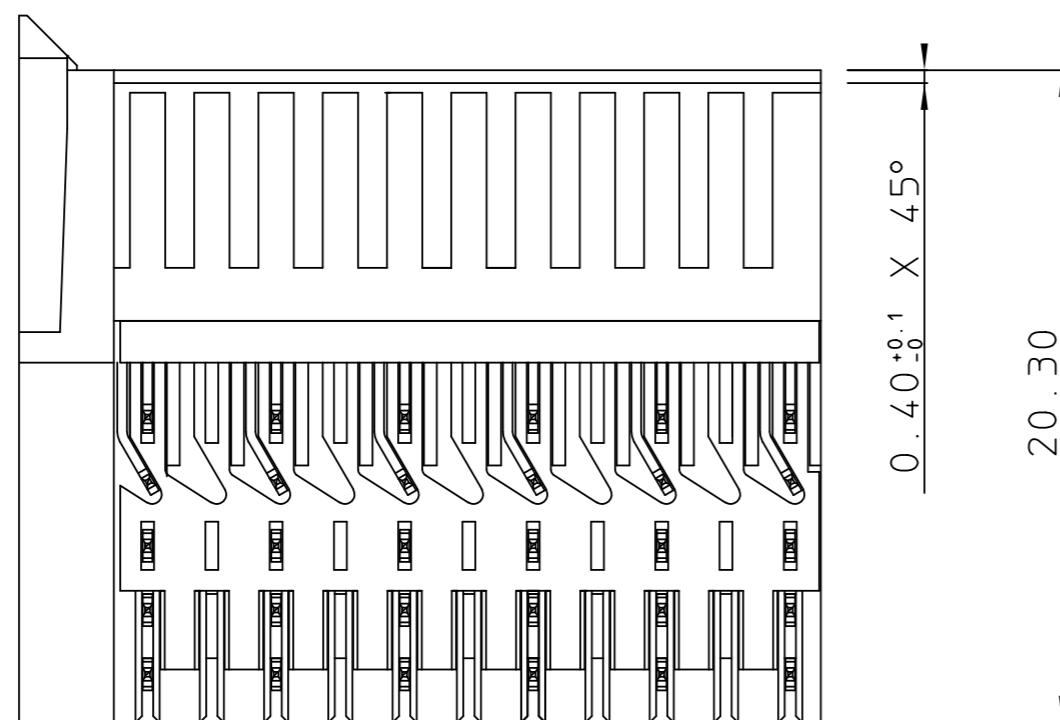


REV.	DATE	DESCRIPTION	BY	C'K'D'
A	14-09-01	CONVERSION REVISION 02	KN	



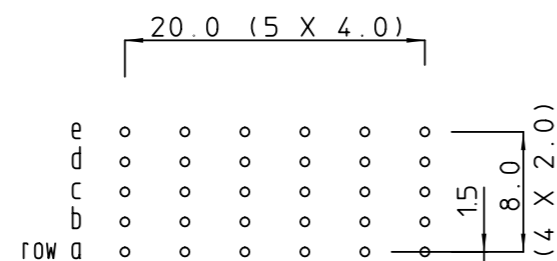
PERFORMANCE CHARACTERISTICS

- CURRENT RATING : 1,5 A AT 20°C (FULLY LOADED)
- 1 A AT 70°C (FULLY LOADED)
- RATED VOLTAGE : 500 V AC (CONT / CONT)
- OPERATING TEMPERATURE : -55°C TO 125°C
- CONTACT RESISTANCE : 20 mΩ MAX
- INSERTION FORCE : 0.75 N MAX / CONT
- EXTRACTION FORCE : 0.15 N MIN / CONT
- INSULATION RESISTANCE : 10⁴ MΩ MIN

NOTES

- "--" PERFORMANCE LEVEL INDICATION: Z1= PL3 (SEE CAT. NR.) N9= PL2 E9= PL1
- THIS PRODUCT IS CSA APPROVED. THIS PRODUCT IS UL RECOGNIZED.
- DIAM DRILLED HOLE : 0.675/0.725 mm
DIAM FINISHED HOLE : 0.55/0.65 mm

LAY-OUT P.C.B. - HOLE



FEMALE SIGNAL RIGHT ANGLE PRESS-FIT-TO-BOARD CONNECTOR
EXTENSION MODULE

1DEC ±0,2 1DEC 2DEC ±0,1 2DEC ANGLES ±1° HOEKEN	APPR. DRAFT CHECKED	DATE 24-09-96	SIGN. W.Panis	MPACS 5+2R RA RCP CONN
WE RESERVE THE RIGHT TO CHANGE DIMENSIONS OR REQUIREMENTS WITHOUT PRIOR NOTICE.	PROD. MGR. PR. ENG. MGR. PR. MGT. MGR.			CAT. No. HM2R30PA5300 --
ALL DIMENSIONS IN MM	REFERENCES / REFERENTIES			SCALE 3 / 1
ALLE AFMETINGEN IN MM				FCI MECHELEN N.V. A. SPINOYSTRAAAT 8, 2800 MECHELEN
				BS,C , 202468 , 003 DRAWING No. CUSTOMER DRAWING
				A REVISION

THIS IS OUR EXCLUSIVE PROPERTY. IT IS NOT TO BE COPIED, REPRINTED OR DISCLOSED TO A THIRD PARTY, NOR USED FOR MANUFACTURING WITHOUT OUR WRITTEN CONSENT, AND HAS TO BE RETURNED TO US IN CASE OF NO USAGE

DIT IS ONZE EIGENDOM EN MAG NOCH NAGEMAAKT, HERDRUKT, OVERGEMAAKT AAN DERDEN, NOCH VOOR FABRIKATIE GEBRUIKT WORDEN, ZONDER ONZE SCHRIFTELIJKE TOELATING. BIJ NIET GEBRUIK IS TERUGZENDING VERPLICHT.