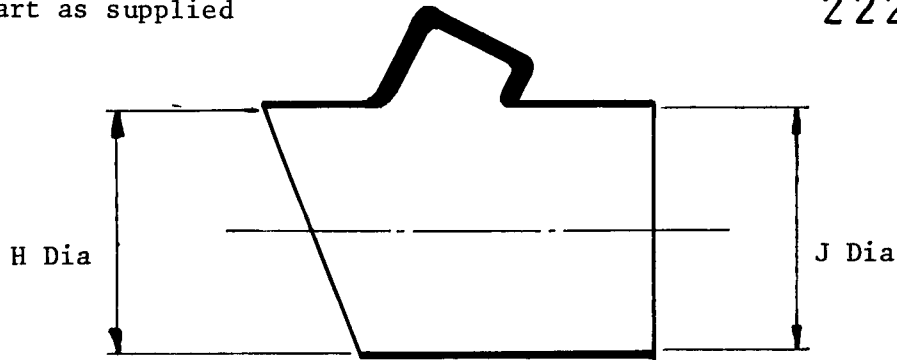
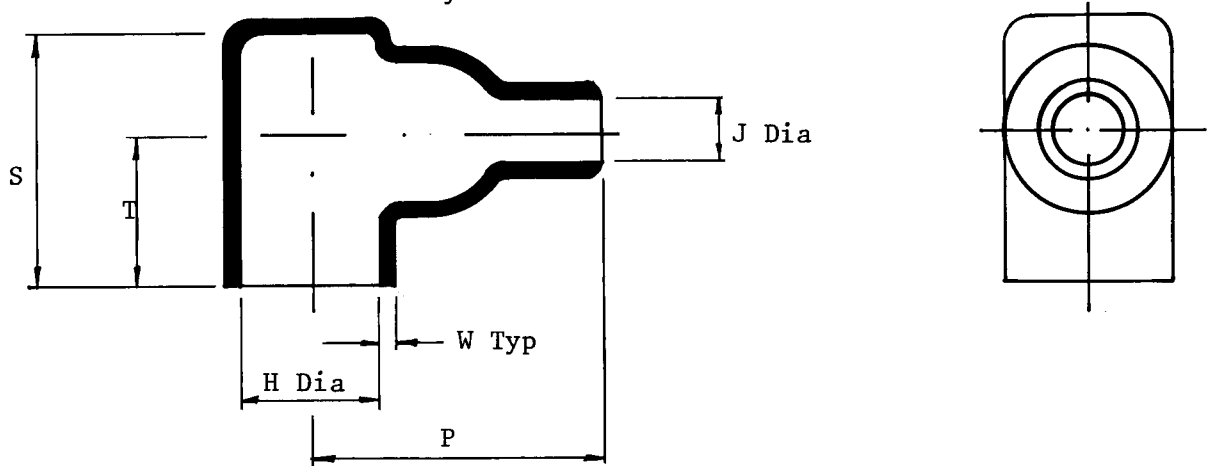


a. Part as supplied

222W072



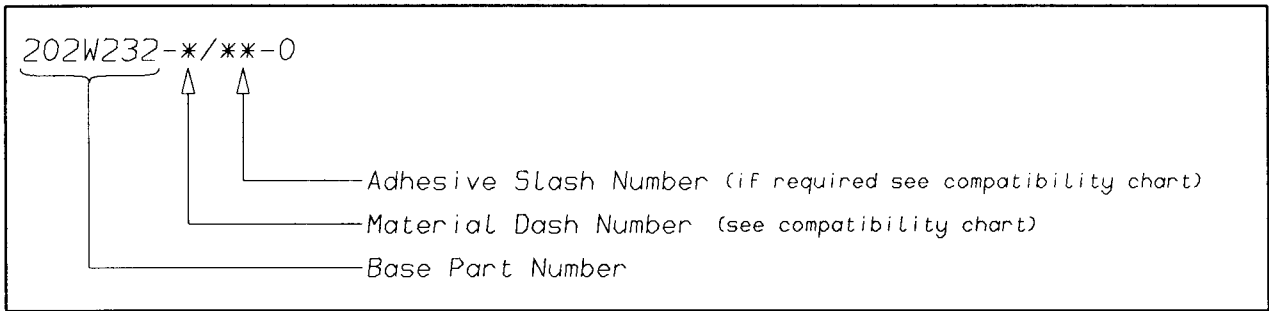
b. Part after unrestricted recovery



Dimensions (in millimetres)

Part Number	Min	H Max	Min	J Max	P	S	T	W
	a	b	a	b	+10% -b	+10% -b	+10% -b	+20% -b
222W072	34	18,5	34	9,0	44	33	20	2,0

(Ordering Information)



(COMPATIBILITY CHART)

MATERIAL DASH NUMBER	MATERIAL DESCRIPTION	COATING SLASH NUMBER
-3	POLYOLEFIN, SEMI-RIGID	/42, /86
-4	POLYOLEFIN, FLEXIBLE	/42, /86
-25	ELASTOMER, FLUID RESISTANT	/86, /225

AS SUPPLIED DIMENSIONS ARE FOR UNCOATED PARTS,
WHEN COATING IS ADDED, ENTRY DIAMETERS WILL REDUCE BY 1.5mm MAX.

POTTING PORTS ARE OPTIONAL
WHEN SPECIFIED BY SUFFIX "-00"
THEY WILL BE LOCATED AS SHOWN

Raychem
Electronics OEM Division Europe
Swindon, Wiltshire, England.
Telephone: (01793) 528171 Fax: 573923