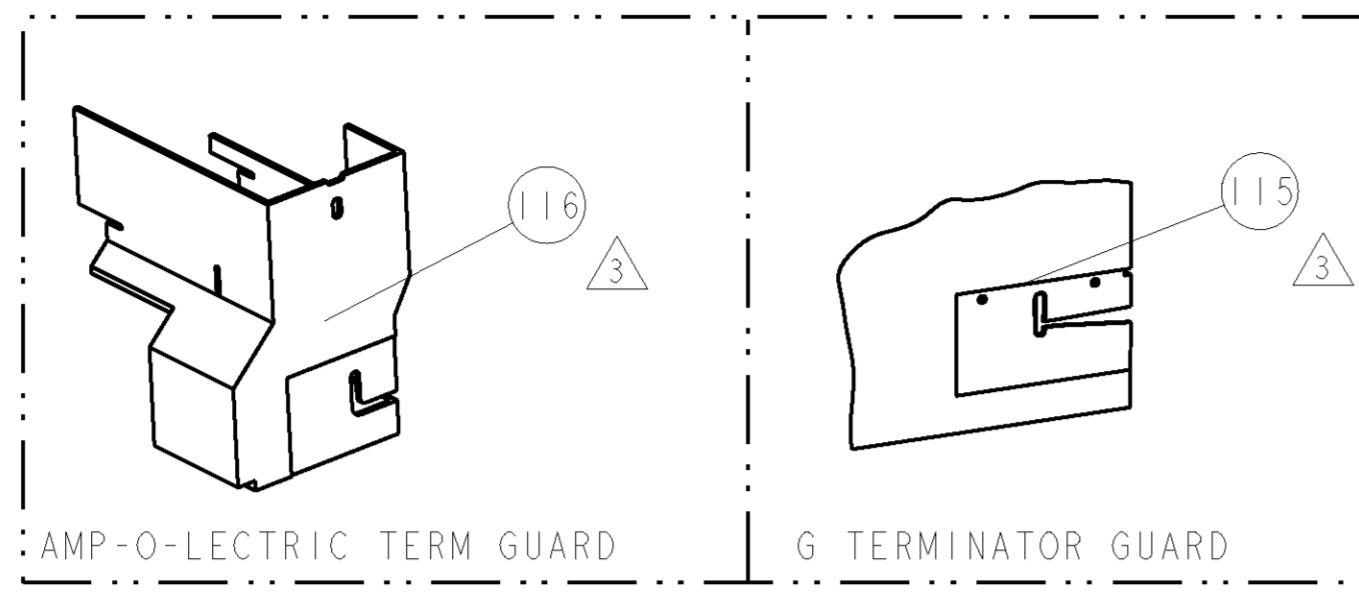


PART NUMBER	REV	FIRST USED	POWER UNIT	FEED TYPE	DESCRIPTION
1855290-1	B	122500-1	LEADMAKER	POST FEED	CUTS CARRIER
1855290-2	B	565435-5	BENCH MODEL K	PRE FEED	CUTS CARRIER
1855290-3	B	354500-1	BENCH MODEL G	PRE FEED	CUTS CARRIER
7-1855290-7	A	-	-	-	SPARE PARTS

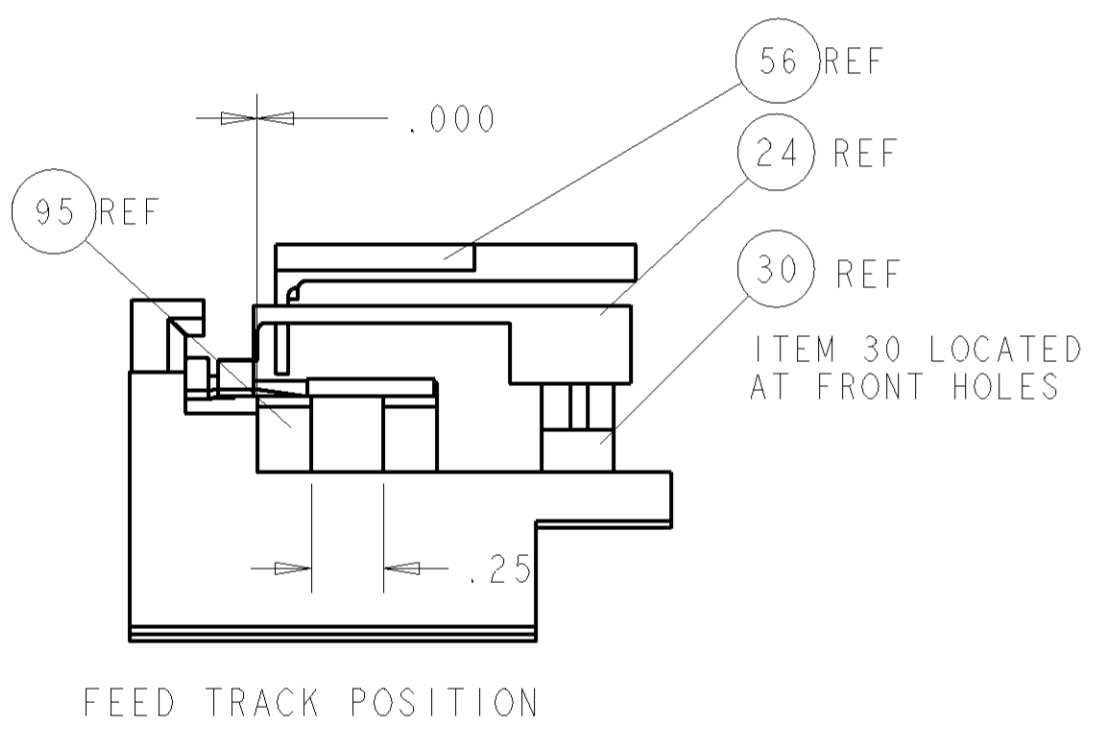
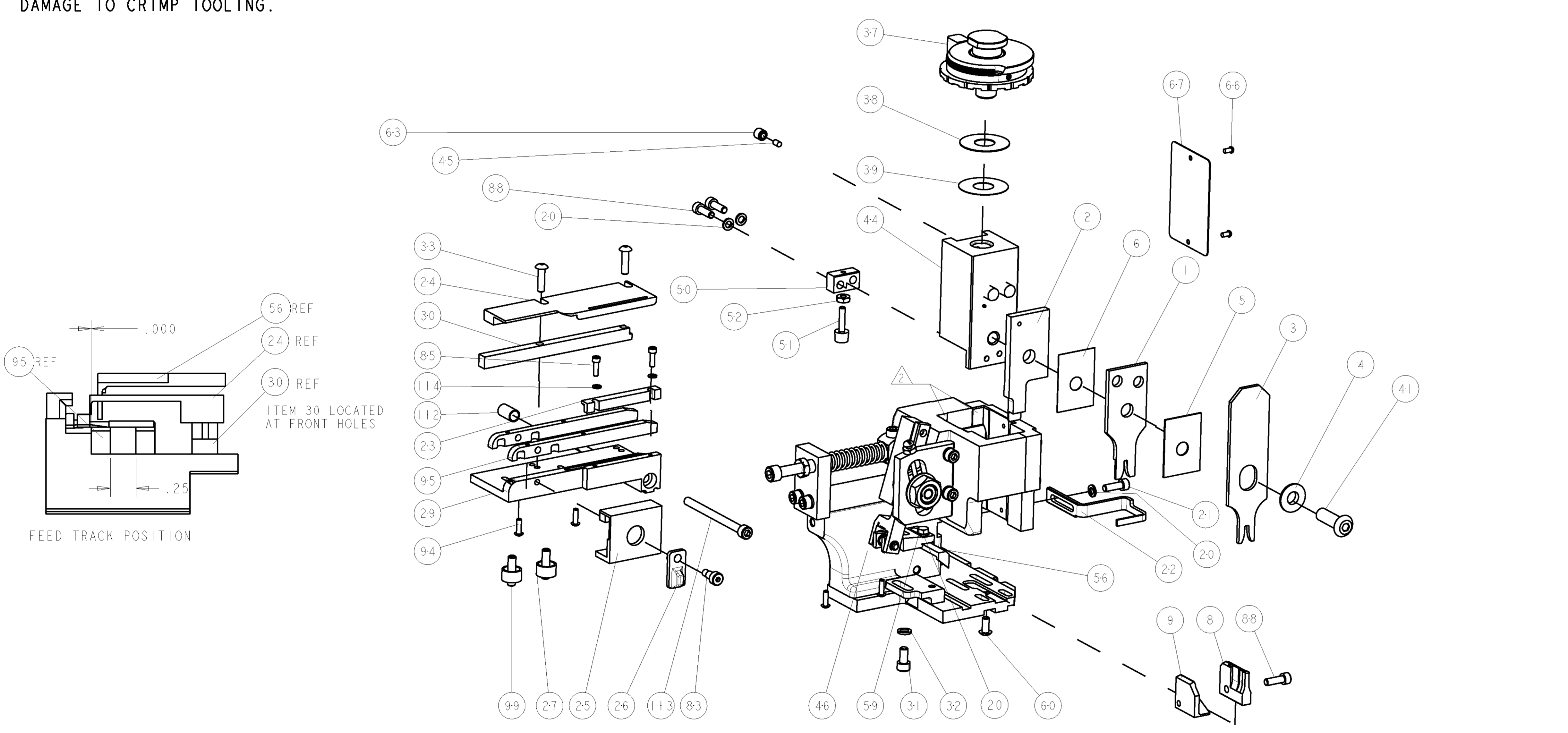


TE PN	MFR PN	TE PN	MFG PN	MOLEX TERMINAL - MOLEX CRIMP SPECS		
940318-1	02-09-2116	940319-1	02-09-1117			
940318-2	02-09-6122	940319-2	02-09-5143	CRIMP HEIGHT	WIRE SIZE	REF SETTING
940318-3	02-09-6125	940319-3	02-09-5130	.0565±.0015 [1.45±0.05mm]	18AWG	B8
940318-4	02-09-1151	940319-4	02-09-1122	.0525±.0015 [1.35±0.05mm]	20AWG	C4
940318-5	02-09-8103	940319-5	02-09-1203	.050±.002 [1.27±0.05mm]	22AWG	C9
940318-6	02-09-2117	940319-6	02-09-1208	-	-	-
940318-7	02-09-2127	940319-7	02-09-1115	-	-	-
940318-8	39-00-0283	940319-8	02-09-1116	-	-	-
940318-9	02-09-2201	940319-9	02-09-1119	CRIMP	SIZE	TYPE
1-940318-0	02-09-1151	1-940319-0	39-00-0284	WIRE	.080 [2.03mm]	F
-	-	1-940319-1	39-00-0285	INSUL	.122 [3.10mm]	F
-	-	1-940319-2	02-09-1201	FEED	.498	APPLICATOR INSTRUCTIONS 408-8040
WIRE STRIP LENGTH	TERM APPL SPEC					SET UP GAGE 458637-1
.140 - .155	NONE					

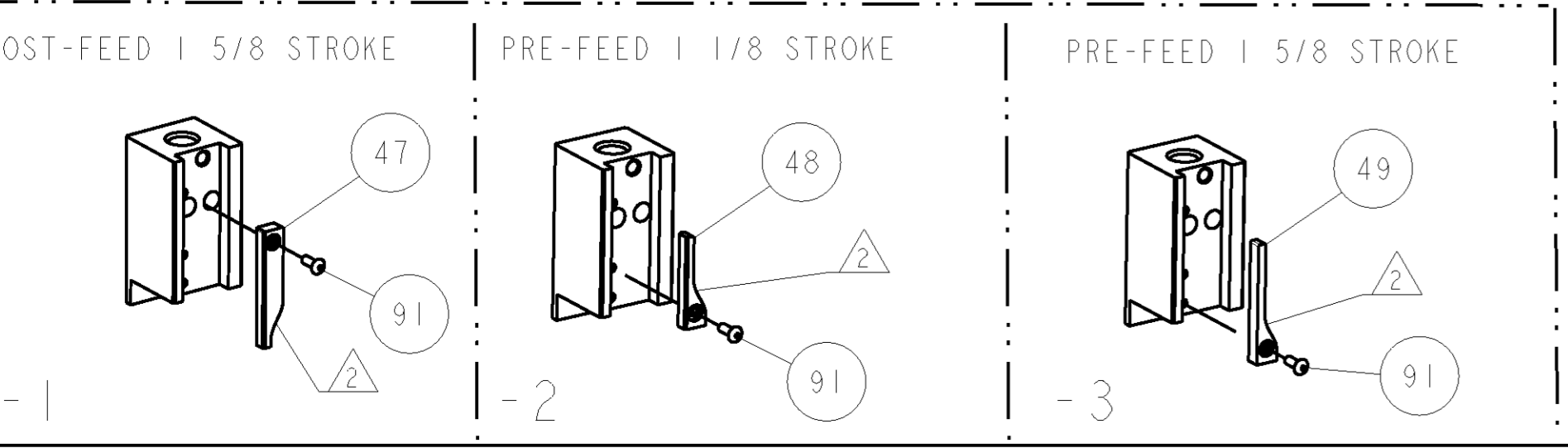
LOC	DIST	REV	DESCRIPTION	DATE	OWN	APVD
A	66	A	PRODUCT RELEASE	17JUL2007	CMR	GB
		B	ECR-10-015111	19JUL2010	MY	TE
		B1	ECR-10-019862	26SEP2010	RS	SK

- 1 RECOMMENDED SPARE PARTS
- 2 GREASE LIGHTLY
- 3 GUARD MUST BE IN PLACE WHEN OPERATING APPLICATOR IN A BENCH MACHINE

*** WARNING**
ON INSTALLATION, SET WIRE DISC TO LARGEST WIRE SIZE SETTING. USE OF SETTINGS BELOW MIN. REQUIRED CRIMP HEIGHT SETTING WILL CAUSE DAMAGE TO CRIMP TOOLING.



REF	QTY	REF	QTY	REF	QTY	DESCRIPTION	ITEM NO
-	-	REF	-	..	455749-1	GUARD WINDOW	116
-	-	REF	-	..	679532-1	INSERT, GUARD	115
-	-	2	-	-	21024-2	WASHER, SPRG LOCK, REG NO 4	114
-	-	1	-	-	8-21000-7	SCR, SKT HD CAP 10-32 X 2.500	113
-	1	1	1	-	1-22281-8	SPRING, COMPRESSION	112
-	2	2	2	-	5-21006-6	SCR, SET, CUP POINT 10-32 X .750	99
-	2	2	2	-	189807-9	FENCE	95
-	4	4	4	-	1-21002-4	SCR, BTN SKT HD CAP 4-40 X .375	94
-	1	1	1	-	1-21002-7	SCR, BTN SKT HD CAP 6-32 X .375	91
-	1	1	1	-	2-21000-7	SCR, SKT HD CAP 8-32 X .500	88
-	2	2	2	-	1-21000-4	SCR, SKT HD CAP 4-40 X .375	85
-	1	1	1	-	21989-8	SCR, SKT HD SHLDR 3/16 DIA X .250	83
-	1	1	1	-	4088040	SF APPL INST 408-8040	72
-	1	1	1	-	217238-1	GENERAL INSTRUCTION PKG	71
-	1	1	1	-	461264-5	PLATE, IDENTIFICATION	67
-	2	2	2	-	21017-2	SCREW, DRIVE	66
-	1	1	1	-	21009-2	SCR, SET, SELF LOCKING 1/4-20 X .250	63
-	1	1	1	-	22733-8	SCR, BHSC, SELF-LOCKING, 8-32 X .375	60
-	1	1	1	-	2-22603-1	SCREW, MACH, HEX HD, 8-32 x .375	59
-	1	1	1	-	3-694433-2	FEED PAWL	56
-	2	2	2	-	2-21000-7	SCR, SKT HD CAP 8-32 X .500	53
-	1	1	1	-	21018-5	NUT, HEX, REG 6-32	52
-	1	1	1	-	811242-2	BUMPER, HOLD DOWN	51
-	1	1	1	-	690753-1	SPACER, TONKER	50
-	1	-	-	..	690602-6	CAM, PRE FEED, 1 5/8	49
-	-	-	-	..	690602-5	CAM, PRE FEED, 1 1/8	48
-	-	-	-	..	690501-4	CAM, POST-FEED 1 5/8	47
-	1	1	1	-	459456-1	APPL, BASIC SUB ASSY (SIDE WISE MOCA)	46
-	1	1	1	-	690191-1	PLUG, NYLON	45
-	1	1	1	-	455673-8	RAM, SIDE FEED	44
-	1	1	1	-	690686-2	CRIMPER, BOLT SPECIAL	41
-	1	1	1	-	690125-1	SHIM SUB-ASSY	39
-	1	1	1	-	469367-9	SHIM	38
-	1	1	1	-	879103-3	FINE ADJUST HEAD ASSEMBLY	37
-	2	2	2	-	2-21002-3	SCR, BTN SKT HD CAP 8-32 X .625	33
-	1	1	1	-	21024-5	WASHER, SPRG LOCK, REG NO 10	32
-	1	1	1	-	3-21000-4	SCR, SKT HD CAP 10-32 X .375	31
-	1	1	1	-	1-1320908-1	SPACER, STRIP GUIDE	30
-	1	1	1	-	1-1633087-6	PLATE, STRIP GUIDE	29
-	2	2	2	-	22284-1	SPRING, COMPRESSION	27
-	1	1	1	-	356835-1	LEVER, DRAG RELEASE	26
-	1	1	1	-	2-690754-1	DRAG, SPECIAL	25
-	1	1	1	-	1-1320860-5	STRIP GUIDE, REAR	24
-	1	1	1	-	1-690712-7	FRONT STRIP GUIDE	23
-	1	1	1	-	1-458230-5	STRIPPER	22
-	1	1	1	-	2-21000-7	SCR, SKT HD CAP 8-32 X .500	21
-	4	4	4	-	21024-4	WASHER, SPRG LOCK, REG NO 8	20
-	1	1	1	-	2-853714-0	PLATE, REAR SHEAR	9
1	1	1	1	-	1633054-1	ANVIL, SPECIAL	8
-	1	1	1	-	455888-2	SPACER, CRIMPER	6
-	1	1	1	-	455888-6	SPACER, CRIMPER	5
-	1	1	1	-	238009-8	BLOCK, FL CRIMPER SPACER	4
1	1	1	1	-	1-456134-0	CRIMPER, INSULATION F PREMIUM	3
-	1	1	1	-	1-853720-4	BLADE, SLUG	2
1	1	1	1	-	3-456405-9	CRIMPER, WIRE PREMIUM	1



DIMENSIONS:	TOLERANCES UNLESS OTHERWISE SPECIFIED:	FINISH:	WEIGHT:	SCALE:	SHEET:	OF:	REV:
INCHES	0 PLC ±.010 1 PLC ±.005 2 PLC ±.002 3 PLC ±.001 4 PLC ±.0001	PLC	-	3:5	1	1	B1