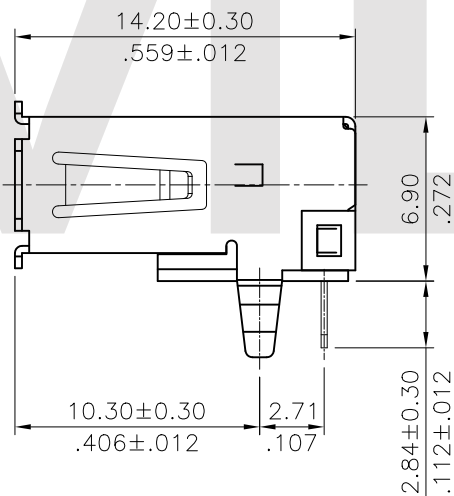
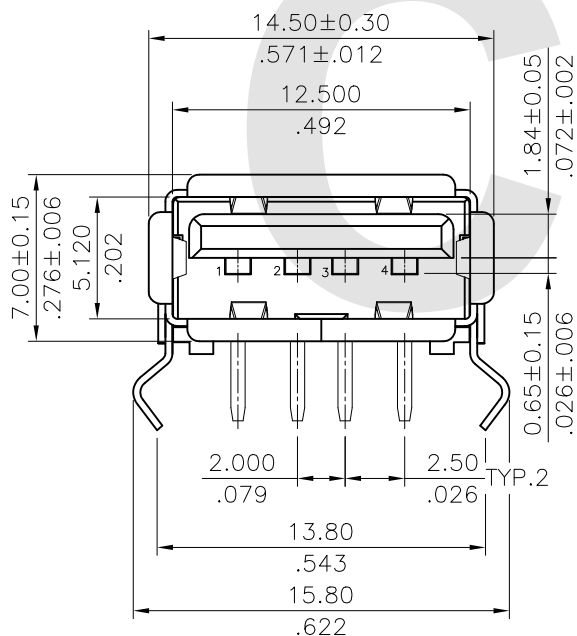


**Recommended P.C. Board Layout
TOP VIEW(TOLERANCE:±0.10)**



Materials :

- * Insulator: LCP UL 94V-0, Black
- * Contacts: Copper Alloy
- * Shell: Copper Alloy
- * For Lead Free Wave Flow Process

Ordering Code:

CU01 S A H 1 S 00 -NH
 ① ② ③ ④ ⑤ ⑥ ⑦ ⑧

- ① Series No.
- ② S= Socket
- ③ Plating option:
A= Selective Gold flash plated over 1.27μm(50μ") Nickel
- ④ H= Right angle
- ⑤ Insulator Color: 1= Black
- ⑥ S= Single port
- ⑦ Option: 00= Standard
- ⑧ NH= For Lead Free Wave Processes and Halogen-Free

Lead Free Process

Halogen-Free

RoHS compliant

4					DATE	UNIT: mm / inch	TITLE: U.S.B TYPE A RIGHT ANGLE BOARD MOUNT SOCKET	瀚荃股份有限公司 CviLux Corporation	
3					DRAWN BY: Sandy 6/29-16'	TOLERANCE UNLESS OTHERWISE SPECIFIED	MATERIAL:		
2					ENGINEER: Sun 6/29-16'	.X ± 0.25/.010 X' ± 1'	FINISH:	DRAWING NO. CU0141SB PART NO. CU01SAH1S00-NH	
1	Sandy	6/28-16'	ECRB116040/ECNT116138		CHECKED BY: Eisley 7/01-16'	.XX ± 0.20/.008 X' ±		SCALE 3 / 1	SHEET 1 OF 1
SYM	NAME	DATE	REVISIONS		APPROVED BY: Eisley 7/01-16'	.XXX ± 0.10/.004 XX' ±			

CVILUX CORP
 2016.07.07
 ISSUED