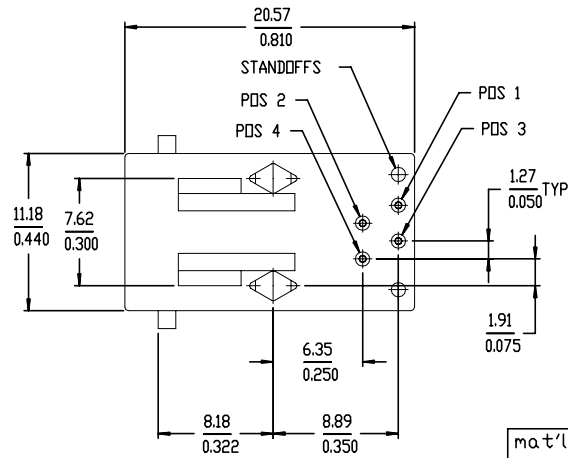
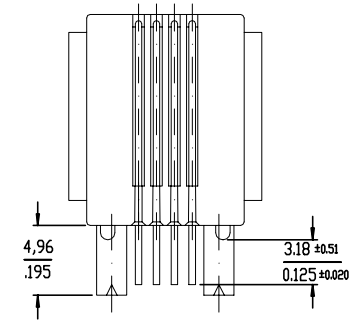
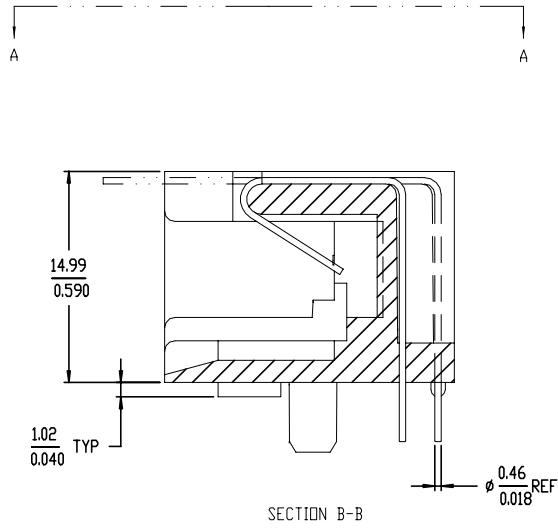
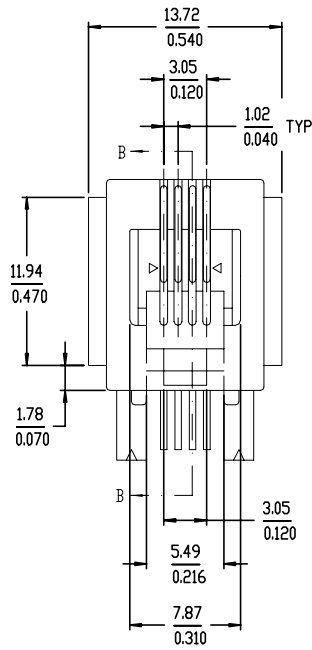


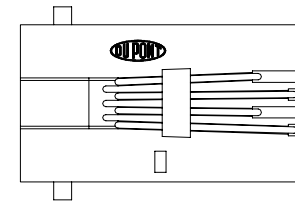
PRODUCT NUMBER
SEE TABLE



mat'l. code		surface ISO1302 ✓		tolerance ISO1101 ISO406		projection mm		product family MOD JACK		
l'tecn nodr		date		tolerances unless otherwise specified		scale 2.0		title		
J	S80281 BL	12/18/98	angle	0.X±0.3				4 POS HORIZONTAL		
K	S00022 BL	26/01/00	0°±2'	0.XX±0.15				PC.B. MOD JACK ASSY		
L	M05-0067 MHT	4/8/05		0.XXX±0.05				sheet 1 of 2		
M	M05-0155 MHT	6/29/05	dr	M.HERNANDEZ	4/8/05	FCI	type	size		
N	ELX-N-010698 SH MM	3/14/12	enr	M.BARRIOS	4/8/05			68897		A4
			chr	M.BARRIOS	4/8/05			Product Customer Drawing		
sheet index	revision sheet	N 1	N 2							

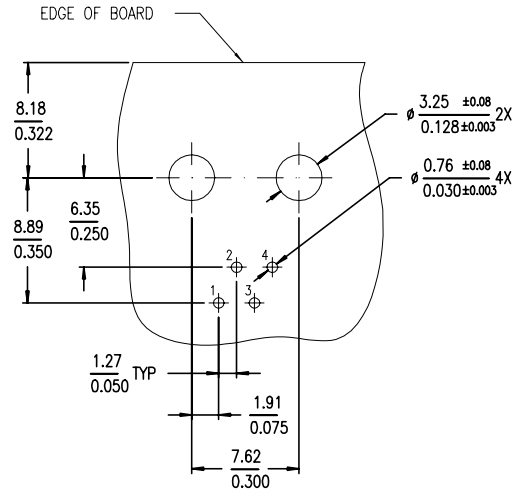
PRODUCT NO. NOTE 1,3	POSITIONS LOADED	CONTACT PLATING NOTE 6	HOUSING COLOR
68897-001	ALL	5u" Au + high performance lubricant	BLACK
-002	ALL	5u" Au + high performance lubricant	BLACK
-003	ALL	5u" Au + high performance lubricant	OFF-WHITE
-004	ALL	1,27um / 50u" GXT	BLACK
-005	ALL	0.15um / 6u" AU	BLACK

⑤



VIEW A-A

RECOMMENDED BOARD LAYOUT
VIEWED FROM TOP



NOTES :

- 1 WHEN PRODUCT CALLS FOR PACKAGING IN TRAY ORDER THE PRODUCT WITH PART NUMBER 68897-XXXT FOR PACKAGING IDENTIFICATION. FOR PRODUCT NUMBER WITHOUT SUFFIX "T", THE PRODUCT WILL BE PACKED IN TUBE AS PER DUPONT STANDARD PACKAGING.
- 2 ADD "LF" SUFFIX AT THE END OF PART NUMBER FOR LEAD FREE OPTION.
- 3 THIS PRODUCT MEETS EUROPEAN UNION DIRECTIVES AN OTHER COUNTRY REGULATION AS DESCRIBED IN GS-22-008.
- 4 THE HOUSING TEMPERATURE WITHSTAND EXPOSURE TO 260°C PEAK TEMPERATURE FOR 15 SECONDS IN A WAVE SOLDER APPLICATION WITH A 1.5 MM MINIMUM THICK CIRCUIT BOARD. SEE APPLICATION NOTES/PROCEDURES IF THEY ARE AVAILABLE.
- 5 PLATING OPTION:
MAY BE EITHER GOLD OR GXT PLATED AT MANUFACTURER'S OPTION.

mat'l. code		surface ISO1302 ✓		tolerance ISO1101 ISO406		projection mm		product family MOD JACK	
l trechn nodr		date		tolerances unless otherwise specified		scale 2.0		title	
J	S80281 BL	12/18/98	angle	0.X±0.3				4 POS HORIZONTAL	
K	S00022 BL	26/01/00	0°±2'	0.XX±0.15				PC.B. MOD JACK ASSY	
L	M05-0067 MHT	4/8/05		0.XXX±0.05				dwg no	
M	M05-0155 MHT	6/29/05	dr	M.HERNANDEZ	4/8/05	FCI	sheet 2 of 2		size
N	ELX-N-010698 SH MM	3/14/12	enr	M.BARRIOS	4/8/05		68897		A4
			chr	M.BARRIOS	4/8/05		type Product Customer Drawing		
			appd	M.BARRIOS	4/8/05				
sheet index	revision sheet								