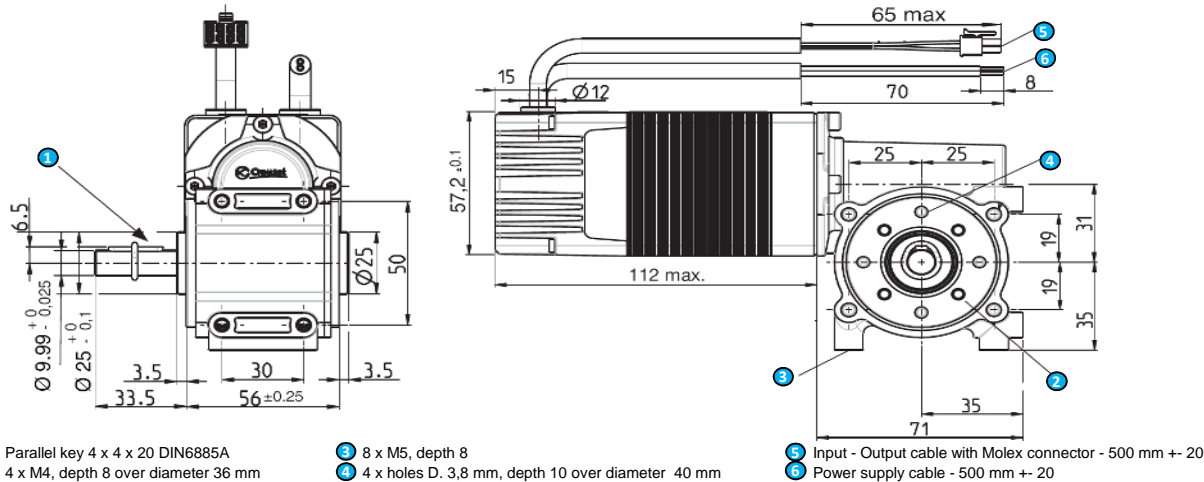


# Brushless gearmotor

## Data sheet

80 181 002  
PWM - ratio 10

Series  
**801810 TNI20**



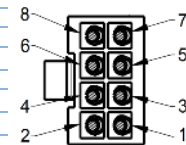
## General characteristics

Power supply		
Direct current voltage supply		24Vdc
Nominal voltage range	Vdc	18 -> 32
Max. current	A	6

Gearmotor type		801810 TNI20
Motor type		80 180 001
Gearbox type		81 041 0
Ratio		10
Shaft output		Left
Max. permissible continuous torque	Nm	10
Max. backlash	°	0,5

Motor characteristics (1)		24 Vdc	
<b>At no load</b>			
Max. output speed	rpm	420	
Current at the max output speed (6)	A	0,39	
Standby current	A		
<b>At nominal</b>			
Speed	rpm	325	+/-15%
Torque (2)	Nm	1,1	
Output power	W	39	+/-15%
Current	A	4,8	
Efficiency	%	34	
<b>At max. output power</b>			
Speed	rpm	300	
Torque	Nm	1,4	
Output power	W	45	
Current	A	6,0	
Efficiency	%	31	
<b>At peak torque</b>			
Speed	rpm	300	
Torque	Nm	1,4	
Output power	W	45	
Current	A	6,0	
<b>Others</b>			
Weight	kg	2,04	
Noise level	dBA	45	

Connecting	
<b>Input - Output cable</b>	With Molex connector ref: 43025-0800
Output cable, UL style 2464 80°C 300V	- 8 wires AWG24
Input: ON/OFF	1 - Green
Input: Direction	2 - Yellow
Input: Torque limit	3 - Blue
Input: Speed	4 - Orange
0V	5 - Black
Output: Pulse	6 - Brown
Output: Torque limit reached	7 - Purple
Output: Direction	8 - Red
<b>Power supply cable</b>	
Cable UL style 2464 80°C 300V	- 2 wires AWG20 - 500 mm
+ 18Vcc -> + 32 Vdc	Brown
0V	Black



Drive	
<b>Type</b>	<b>TNI20</b>
Built-in drive	
Internal encoder	12 pulses per turn
<b>Control</b>	
Speed	PWM
Torque	PWM
4 quadrants - low braking	
4 quadrants with regenerative energy	
"Trapezoidal" type	
<b>Security</b>	
Short-circuit of outputs	
Input inverted	
Low voltage	Vdc < 14
Short high voltage	Vdc > 36
Stop at max internal drive temperature (2)	°C 110
Drive temperature allowing to restart	°C 90

Generic parameters			
Output shaft with ball bearings			
Max. Radial force (12mm from front face)	N	150	
Max. axial force(4)	N	100	
Temperature range	CEI60068-2-1/2	°C	-30 -> +70
Storage temperature		°C	-40 -> +80
Dielectric	1min 2mA 50Hz	CEI60335	Vac 1 000
Motor insulation	CEI60085	class	E
Salt spray	CEI60068-2-58	severity	48h
Degree of protection (output shaft not included)	CEI60529	IP	54
<b>EMC</b>			
Electrostatic Discharge	CEI61000-4-2	level	3
Radio frequency	CEI61000-4-3	level	3
Electrical fast transient / burst test	CEI61000-4-4	level	3
Surge test	CEI61000-4-5	level	1
Conducted disturbance	CEI61000-4-6	level	3
Radiated emission	EN55022	class	B
<b>Approvals</b>			
ROHS	2011/65/UE		
EC	2014/30/UE		

Notes
Values without tolerance are average production values.
Motor not protected in case of reversed power voltage
(1) Cold motor, 20 °C ambient temperature, full speed
(2) Max torque for continuous operation at 20 °C, decrease this value for higher ambient temperature
(4) Pinion or pulley fitting are done at the Crouzet factory, before final assembly.
(6) Value without gearbox. With gearbox, the value increases and varies depending on grease temperature.

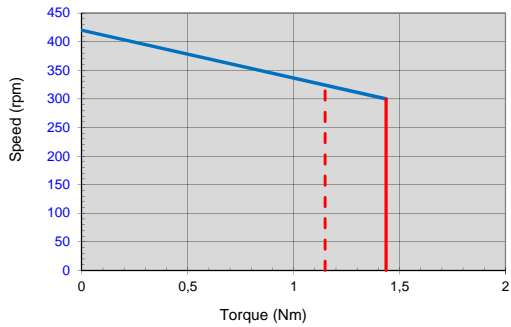
Specifications subject to change without notice. Updated 21/11/2016

## Drive electrical datas

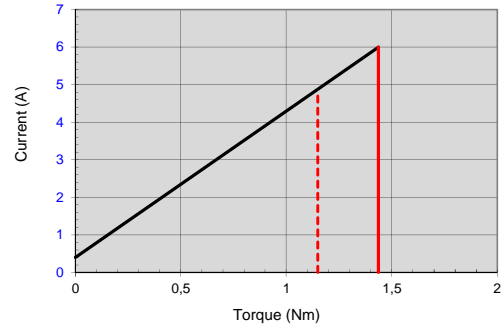
Absolute maximum ratings				
<b>Parameters</b>				
Max. voltage supply "Vcc"	Vdc		36	
Max. current "Icc max"	A		6	
Max. voltage on inputs "Vin max"	Vdc		36	
Max. voltage on outputs "Vout max"	Vdc		36	
Max. output current "Iout max"	mA		50	
<b>Running datas</b>				
<b>Parameters</b>				
Voltage supply "Vcc"	Vdc	Min	Typical	Max
Current "Icc"	A	18	24	32
Standby power "Wo"	W	-	4	6
Speed setting	rpm	0 / 12	-	420
Torque setting	Nm	0,5	-	1,4

Input datas				
<b>Parameters</b>				
Impedance - Input 1, 2 (On/Off - Direction)	kΩ	Min	Typical	Max
		-	59	-
Impedance - Input 3 (torque)	kΩ	-	16,4	-
Impedance - Input 4 (speed)	kΩ	-	19	-
Low level - Input 1, 2	Vdc	0	-	2
High level - Input 1, 2	Vdc	4	-	36
Low level - Input 3, 4	Vdc	0	-	2,5
High level - Input 3, 4	Vdc	11,5	-	36
PWM frequency	Hz	150	-	1000
<b>Output datas</b>				
<b>Parameters</b>				
Low level Outputs	Vdc	Min	Typical	Max
with "pull down resistor" = 4,7KΩ and Vcc = 24 V		0	-	0,2
High level Outputs	Vdc	Vcc - 0,5	-	Vcc
with "pull down resistor" = 4,7KΩ and Vcc = 24 V				
= voltage supply added from eventual rejective voltage				
<b>Notes</b>				
Outputs are destroyed if they are connected to zero ground or to a capacitive load				

## Speed-torque and current-torque curves

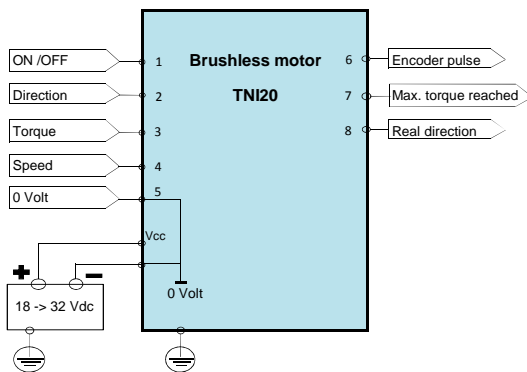


.....Nominal torque



— Peak torque

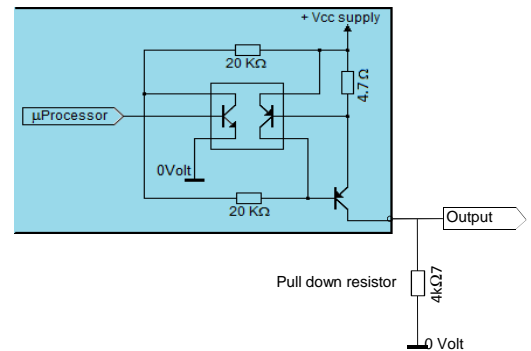
## Wiring



## Output equivalent circuit

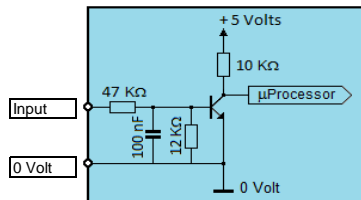
### Outputs

Add a pull down resistor

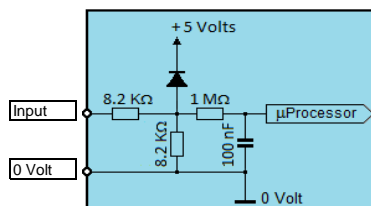


## Input equivalent circuits

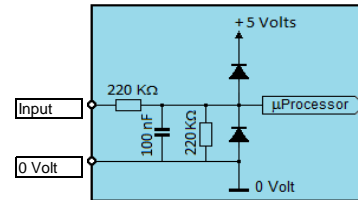
### Inputs 1; 2: ON/OFF and Direction



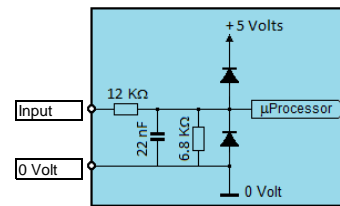
### Input 3: Torque



### Input 4: Speed (if 0/10 V drive)



### Input 4: Speed (if PWM drive)



Specifications subject to change without notice. Updated 21/11/2016