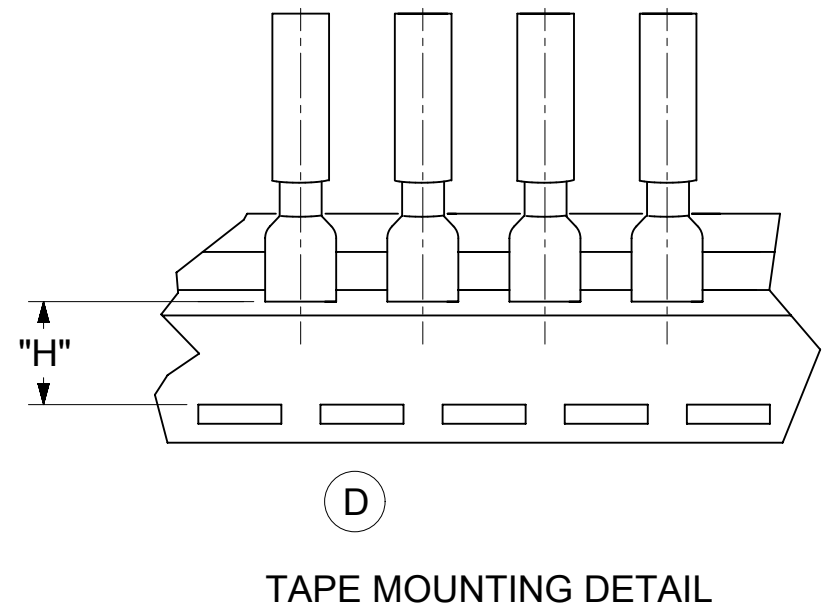
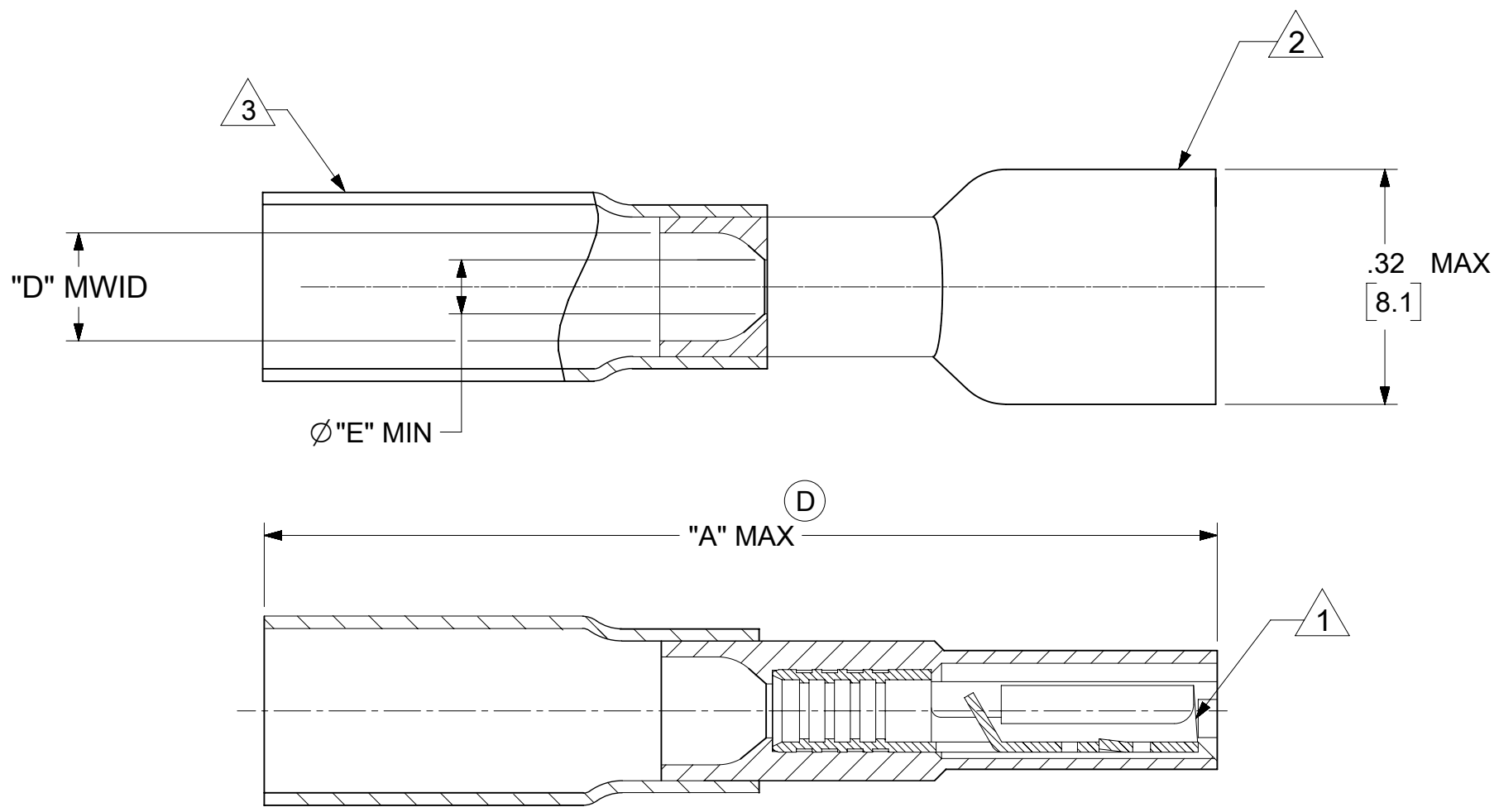


MATERIAL NUMBER	ENGINEERING NUMBER	TAB SIZE	TAPE MATERIAL NUMBER	TAPE ENGINEERING NUMBER	WIRE SIZE AWG	INSULATOR COLOR	"A" ^(D) MAX	"E" MIN	"H" NOMINAL
191641135	SBB-2207	.187" x .020"	191641136	SBB-2207T	16-14	BLUE	1.59/ 40.4	.079/2.00	.64/16.3
191641144	SAA-2202	.187" x .020"	191641145	SAA-2202T	22-18	RED	1.59/ 40.4	.053/1.35	.64/16.3
191641163	SBB-2208	.187" x .032"	191641164	SBB-2208T	16-14	BLUE	1.59/ 40.4	.079/2.00	.64/16.3
191641165	SAA-2203	.187" x .032"	191641166	SAA-2203T	22-18	RED	1.59/ 40.4	.053/1.35	.64/16.3



TAPE MOUNTING DETAIL

NOTES:

- 1 TERMINAL MATERIAL: BRASS.
TERMINAL FINISH: TIN PLATED.
- 2 TERMINAL HOUSING MATERIAL: NYLON.
- 3 INSULATION MATERIAL: HEAT SHRINKABLE TUBING WITH HOTMELT ADHESIVE INNER LINER.
COLOR: SEE CHART
- 4. MWID = MAXIMUM WIRE INSULATION DIA.
- 5. PARTS ARE RoHS COMPLIANT.

THIS DRAWING CONTAINS INFORMATION THAT IS PROPRIETARY TO MOLEX ELECTRONIC TECHNOLOGIES, LLC AND SHOULD NOT BE USED WITHOUT WRITTEN PERMISSION									
DIMENSION UNITS		SCALE		CURRENT REV DESC: MOD PERMA-SEAL LOC					
IN/MM		NTS		<p style="text-align: center;">molex</p> <p style="text-align: center;">FEMALE FIQD PERMA-SEAL .187" X .020" & .187" X .032" TAB SIZE</p> <p style="text-align: center;">PRODUCT CUSTOMER DRAWING</p>					
GENERAL TOLERANCES (UNLESS SPECIFIED)									
	MM	INCH							
4 PLACES	±								
3 PLACES	±								
2 PLACES	±								
1 PLACE	±								
0 PLACES	±								
ANGULAR TOL		± °		<p>EC NO: 617065</p> <p>DRWN: DMYRICK 2019/01/29</p> <p>CHK'D: JMACNEIL 2019/05/14</p> <p>APPR: JMACNEIL 2019/05/14</p>					
DRAFT WHERE APPLICABLE MUST REMAIN WITHIN DIMENSIONS		THIRD ANGLE PROJECTION		DRAWING		SERIES		MATERIAL NUMBER	
		B-SIZE		19164		SEE CHART		CUSTOMER	
						SD-19164-077		GENERAL MARKET	
								SHEET NUMBER	
								1 OF 1	