

4

3

2

1

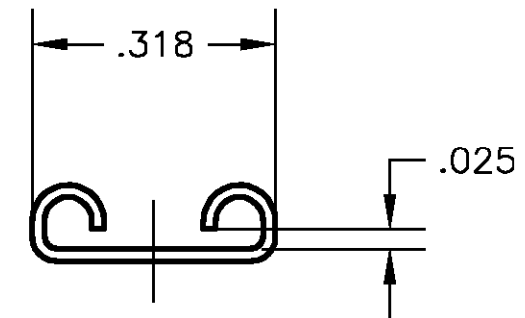
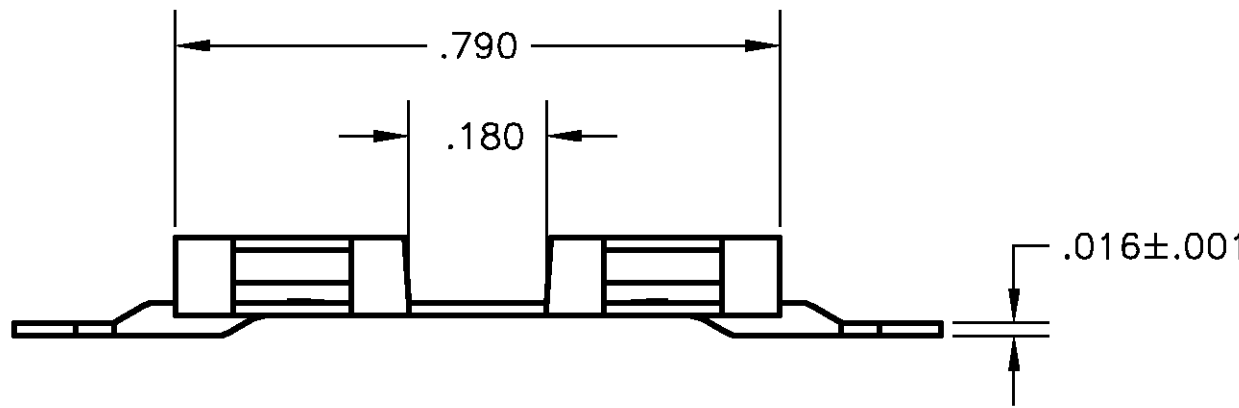
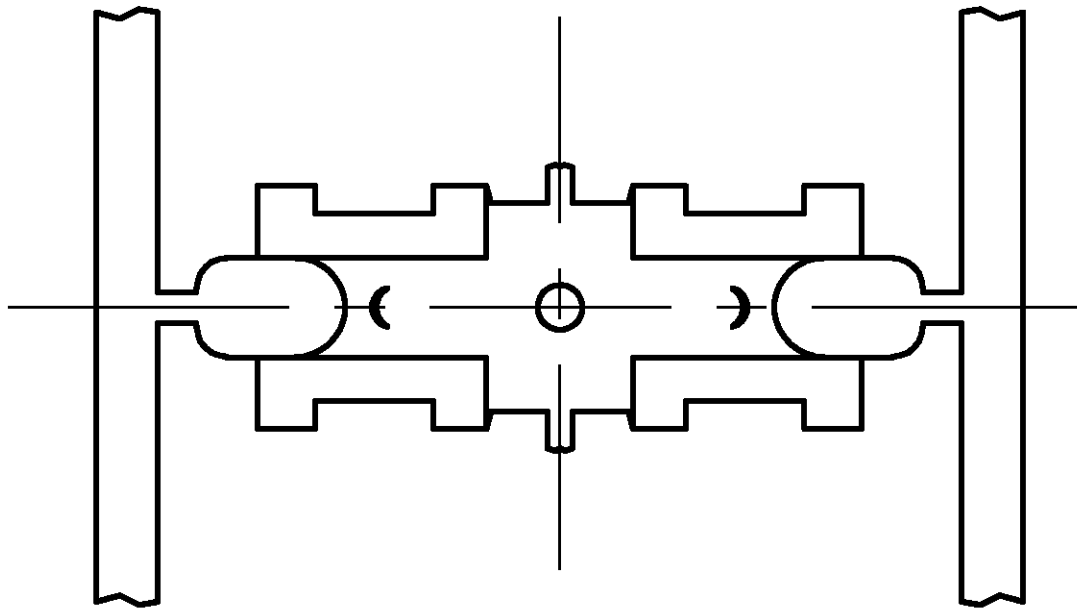
THIS DRAWING IS UNPUBLISHED.

RELEASED FOR PUBLICATION

© COPYRIGHT BY TYCO ELECTRONICS CORPORATION. ALL RIGHTS RESERVED.

LOC	DIST	REVISIONS					
AF	50	P	LTR	DESCRIPTION	DATE	DWN	APVD
		J		REDRAWN PER 0G3A-0290-01	20APR01	JR	PD

1 TO BE MOUNTED IN .123±.002 DIA HOLE.



62172-2

PART NO.

THIS DRAWING IS A CONTROLLED DOCUMENT.		DWN JR RUTH 20APR01	Tyco Electronics Corporation Harrisburg, PA. 17057															
DIMENSIONS: INCHES		CHK MS FEHER 20APR01	NAME RECEPTACLE, 250 X 032 FOR P.C.BOARD															
TOLERANCES UNLESS OTHERWISE SPECIFIED:		APVD P DESANTIS 20APR01																
<table border="0"> <tr><td>0 PLC</td><td>± -</td></tr> <tr><td>1 PLC</td><td>± -</td></tr> <tr><td>2 PLC</td><td>± -</td></tr> <tr><td>3 PLC</td><td>± .015</td></tr> <tr><td>4 PLC</td><td>± -</td></tr> <tr><td>ANGLES</td><td>± -</td></tr> </table>		0 PLC	± -	1 PLC	± -	2 PLC	± -	3 PLC	± .015	4 PLC	± -	ANGLES	± -	PRODUCT SPEC -	SIZE A3	CAGE CODE 00779	DRAWING NO C-62172	RESTRICTED TO -
0 PLC	± -																	
1 PLC	± -																	
2 PLC	± -																	
3 PLC	± .015																	
4 PLC	± -																	
ANGLES	± -																	
MATERIAL H04 BRASS	FINISH TIN OVER COPPER	APPLICATION SPEC -	WEIGHT -	CUSTOMER DRAWING		SCALE 4:1	SHEET 1 OF 1	REV J										