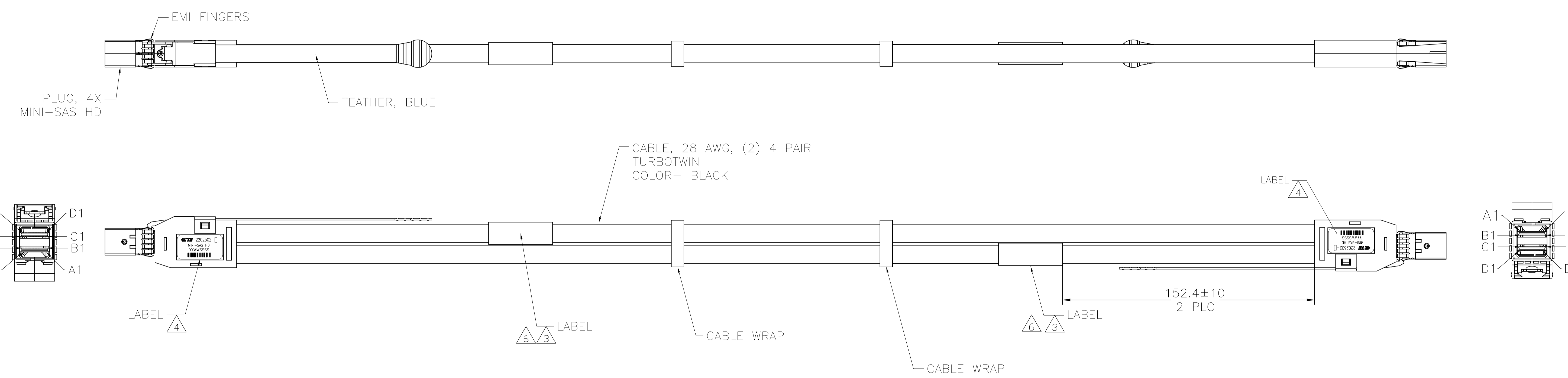
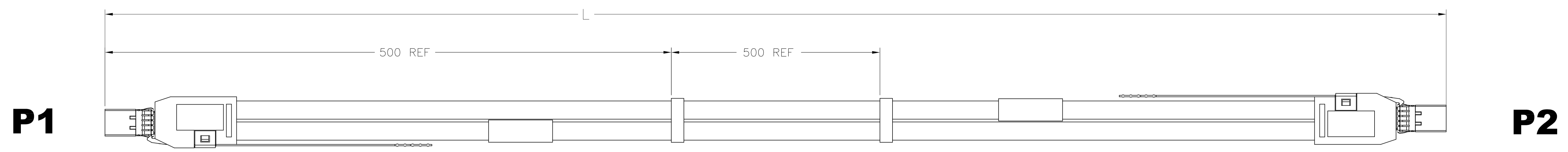


REVISIONS					
P	LTR	DESCRIPTION	DATE	DMN	APVD
D	PER	ECO-15-016946	21MAR2016	PL	JM



- ASSEMBLY TESTED FOR CONTINUITY, OPENS, SHORTS, EEPROM PROGRAM AND SIGNAL INTEGRITY.
- ROHS AND REACH COMPLIANCE: PRODUCT AND PROCESSING MEETS REQUIREMENTS OF TE SPECIFICATION TEC-138-702.

3 LABEL INFORMATION:

	2202502-[]	TE LOGO AND P/N
---	METERS	LENGTH
YYWW		DATE CODE
MADE IN	---	COUNTRY OF ORIGIN

4 LABEL INFORMATION:

	2202502-[]	TE LOGO AND P/N
	MINI-SAS HD	
YYWW	SSSS	YYWW= DATE CODE, SSSS= SERIAL NUMBER
		BARCODE

- EEPROM PROGRAMMED PER TE DOCUMENT 2202502_EEPROM.
- 6 -1 ONLY: LABEL IS APPLIED TO THE CENTER OF CABLE ASSEMBLY,

5	+0.1 -0	METERS	2202502-6
4	+0.08 -0	METERS	2202502-5
3	+0.08 -0	METERS	2202502-4
2	+0.08 -0	METERS	2202502-3
1	+0.05 -0	METERS	2202502-2
0.5	+0.05 -0	METERS	2202502-1 ⁶
	L		PART NO

THIS DRAWING IS A CONTROLLED DOCUMENT.

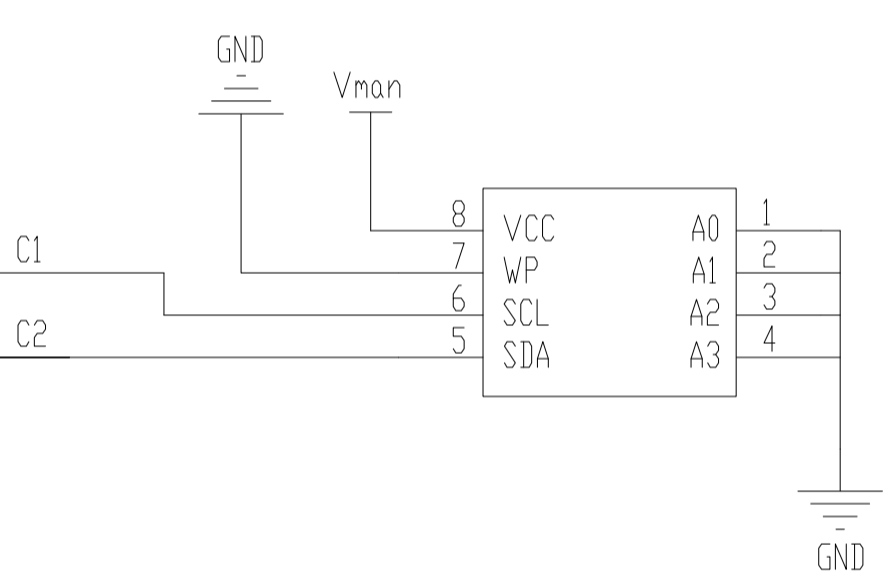
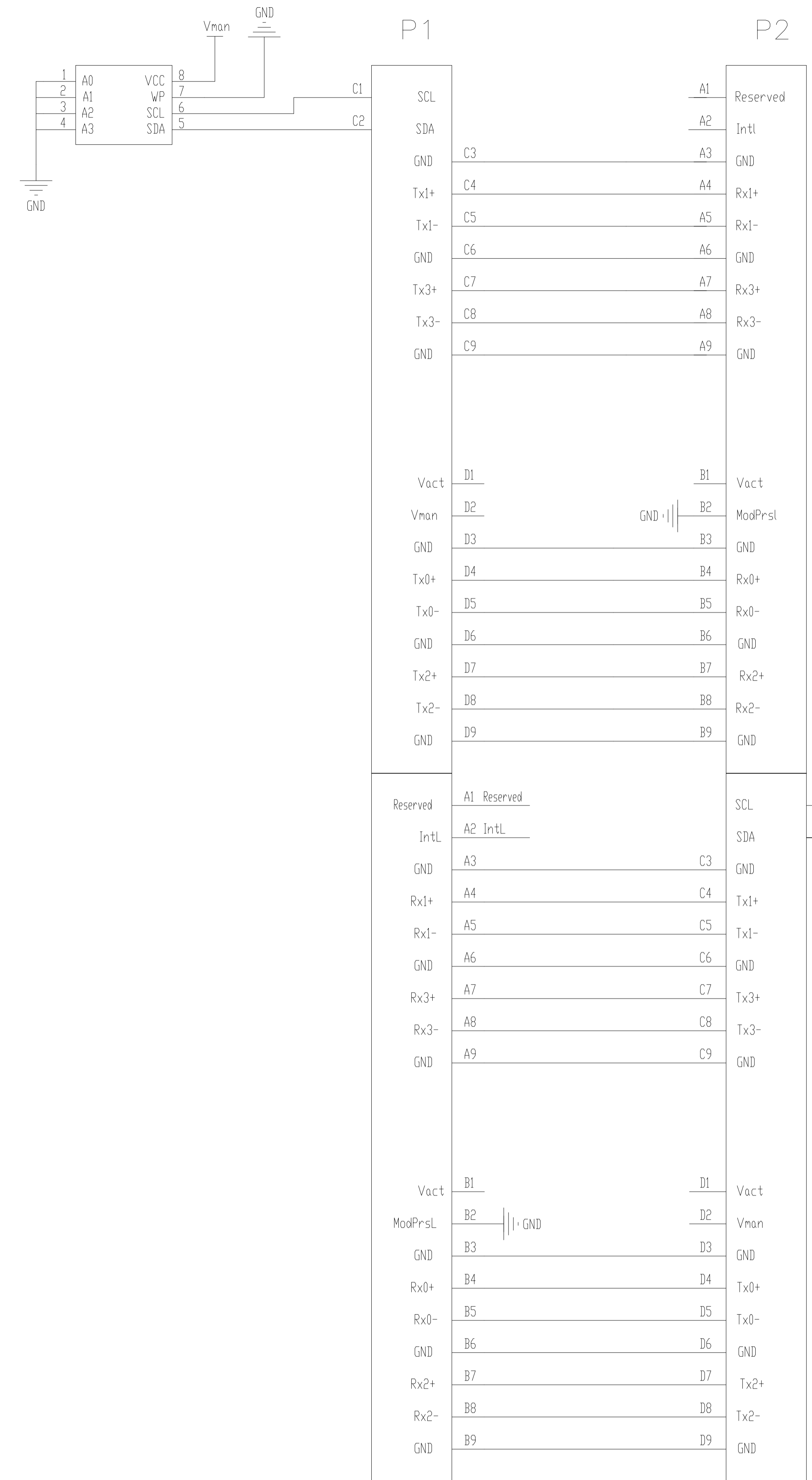
DIMENSIONS: mm	TOLERANCES UNLESS OTHERWISE SPECIFIED:	0 PLC ± -	1 PLC ± -	2 PLC ± -	3 PLC ± -	4 PLC ± -	ANGLES ± -				
MATERIAL	FINISH	WEIGHT	0	SIZE	A1	CAGE CODE	00779	DRAWING NO	C=2202502	RESTRICTED TO	
CUSTOMER DRAWING		SCALE	1:1	SHEET	1 OF 2	REV	D				

APPROVED: J. MEYERS 09MAR2012

TE Connectivity

NAME: CABLE ASSEMBLY, 28 AWG TURBOTWIN, MINI-SAS HD, 4X

REVISIONS					
P	LTR	DESCRIPTION	DATE	OWN	APVD
-	-	SEE SHEET 1	-	-	-



THIS DRAWING IS A CONTROLLED DOCUMENT.		DIN P. LI 09MAR2012	TE Connectivity
DIMENSIONS: mm		CHK J. MEYERS 09MAR2012	
TOLERANCES UNLESS OTHERWISE SPECIFIED: 0. PLC ± - 1. PLC ± - 2. PLC ± - 3. PLC ± - 4. PLC ± - ANGLES ± -		APVD J. MEYERS 09MAR2012	NAME CABLE ASSEMBLY, 28 AWG TURBOTWIN, MINI-SAS HD, 4X
		APPLICATION SPEC	RESTRICTED TO
MATERIAL	FINISH	WEIGHT	SIZE A1 00779 C=2202502
CUSTOMER DRAWING		SCALE 1:1	SHEET 2 OF 2 REV D