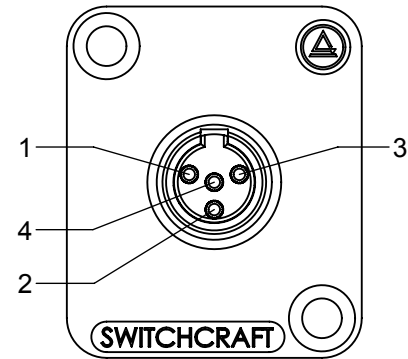
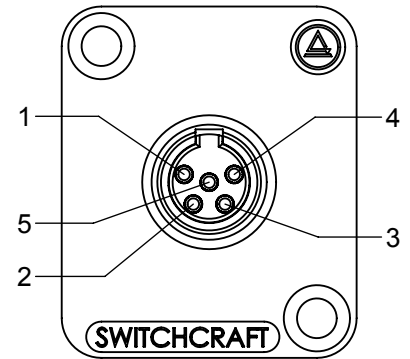


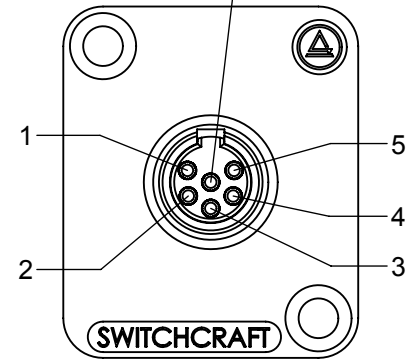
EHT3M
3 PIN



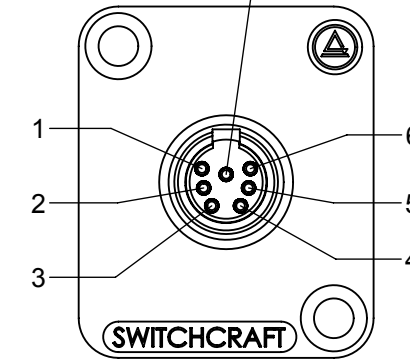
EHT4M
4 PIN



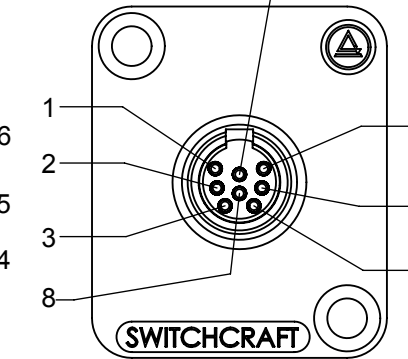
EHT5M
5 PIN



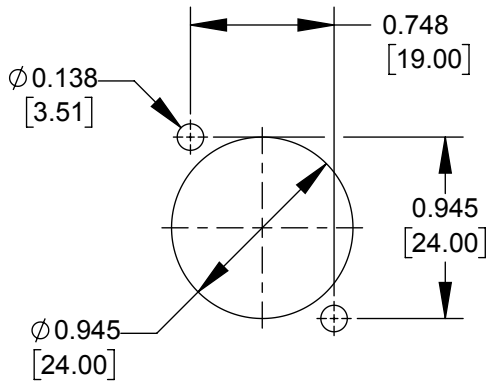
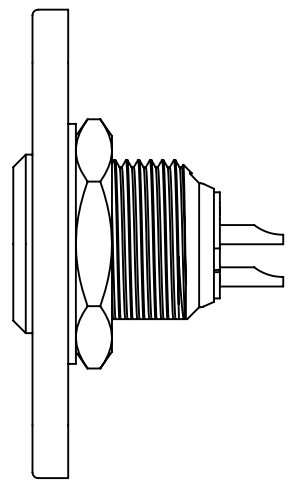
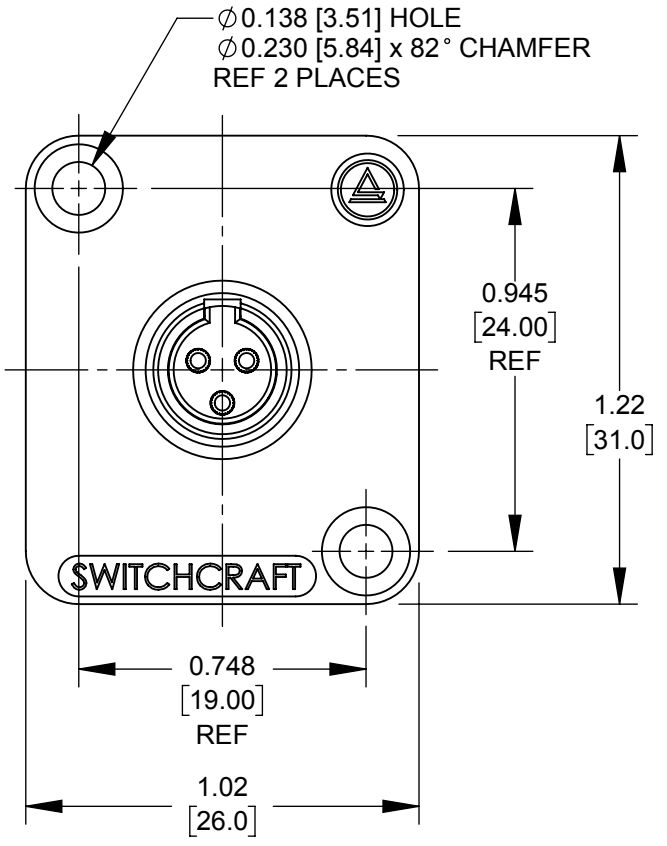
EHT6M
6 PIN



EHT7M
7 PIN



EHT8M
8 PIN



RECOMMENDED
PANEL CUT - OUT

EHT M

NUMBER OF CONTACTS

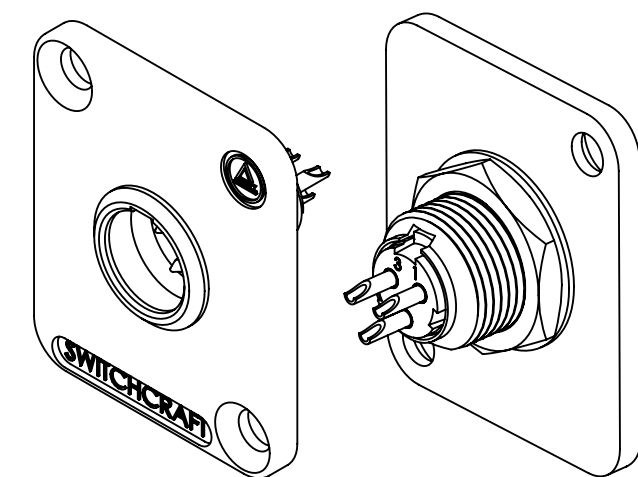
- 3 - 3 CONTACTS
- 4 - 4 CONTACTS
- 5 - 5 CONTACTS
- 6 - 6 CONTACTS
- 7 - 7 CONTACTS
- 8 - 8 CONTACTS

MALE CONNECTOR

BLANK - BULK PACKAGING
PKG - INDIVIDUAL PACKAGE
WITH #4-40 x 0.50 LONG SCREWS

CONTACT PIN PLATING
BLANK - SILVER (STANDARD)
AU - GOLD

MOUNTING PLATE & CONNECTOR HOUSING FINISH
BLANK - NICKEL
B - BLACK



CUSTOMER DRAWING

NOTES:

1. MATERIALS:

MOUNTING PLATE - ZINC ALLOY, NICKEL PLATED OR BLACK PAINTED
CONNECTOR HOUSING - COPPER ALLOY, NICKEL PLATED OR BLACK CHROME
INSERT - THERMOPLASTIC, BROWN
CONTACT PINS - COPPER ALLOY, SILVER OR GOLD PLATED
WASHER - COPPER ALLOY, NICKEL PLATED
NUT - COPPER ALLOY, NICKEL PLATED

2. THIS PRODUCT IS RoHS COMPLIANT.

REV	ECO NUMBER	DATE	BY	APVD
A	27402	2-13-15	PC	TJK
REVISIONS				

UNLESS OTHERWISE SPECIFIED
1. ALL DIMENSIONS IN INCHES [mm]
- TWO PLACE DECIMALS ±0.02 [0.5]
- THREE PLACE DECIMALS ±0.005 [0.13]

DO NOT SCALE DRAWING

THIS DRAWING DESCRIBES A DESIGN CONSIDERED PROPRIETARY IN NATURE, DEVELOPED AND MANUFACTURED BY SWITCHCRAFT INC. AND IS RELEASED ON A CONFIDENTIAL BASIS FOR IDENTIFICATION PURPOSES ONLY.									
SIZE	WIDTH	MULT	LBS/M	TEMPER					
FINISH					MATERIAL				
SPEC No.					SPEC No.				
FIRST USED ON				SCALE 2:1					
DATE DRAWN	BY	CHKD	APVD						
12-14-12	SRC	SRC	TJK						
		12-14-12	2-13-15						
NAME MALE TINI QG SERIES WITH EH SERIES MOUNTING					PART No. EHT3M - EHT8M SERIES				
					REV A				