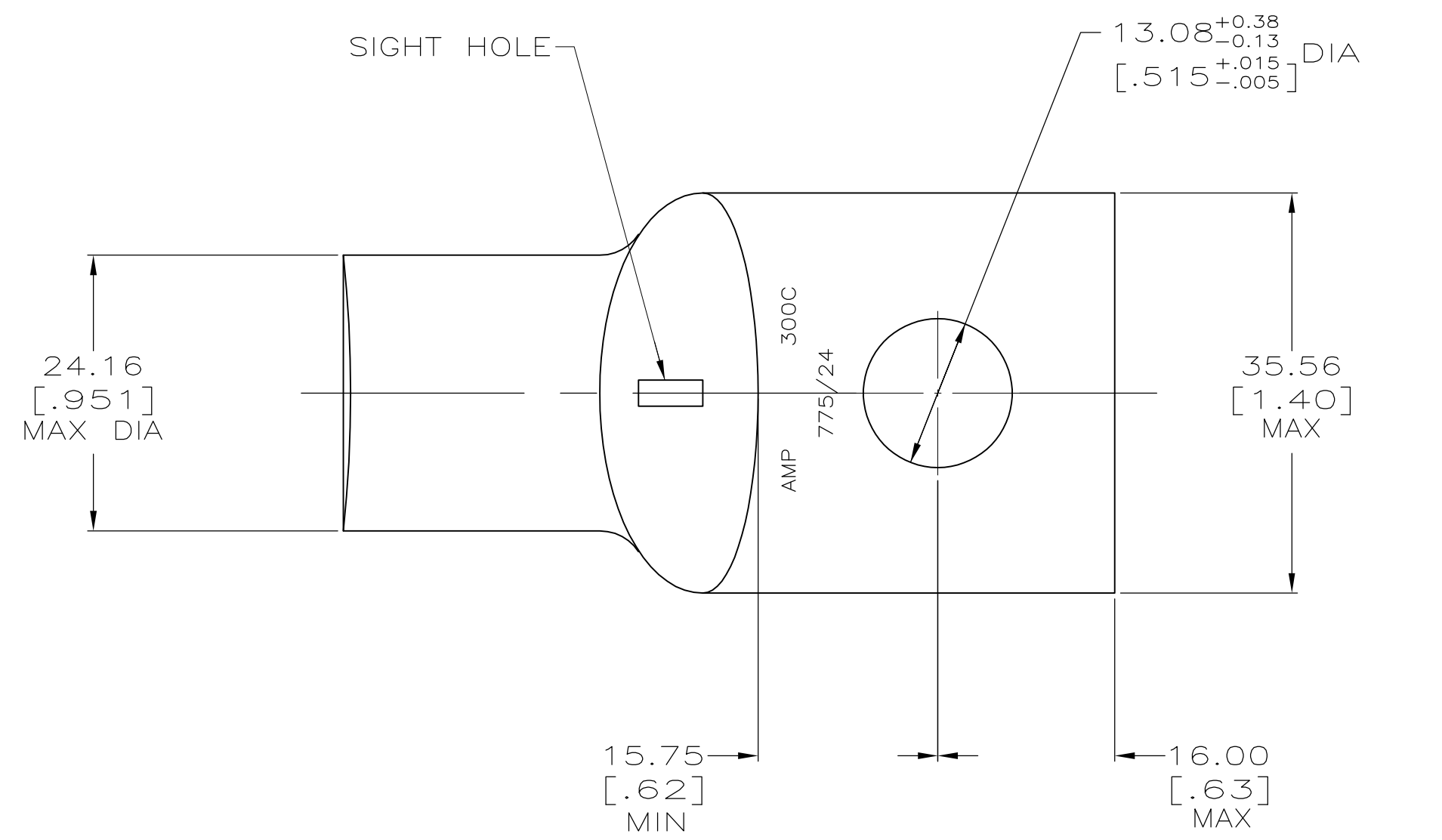
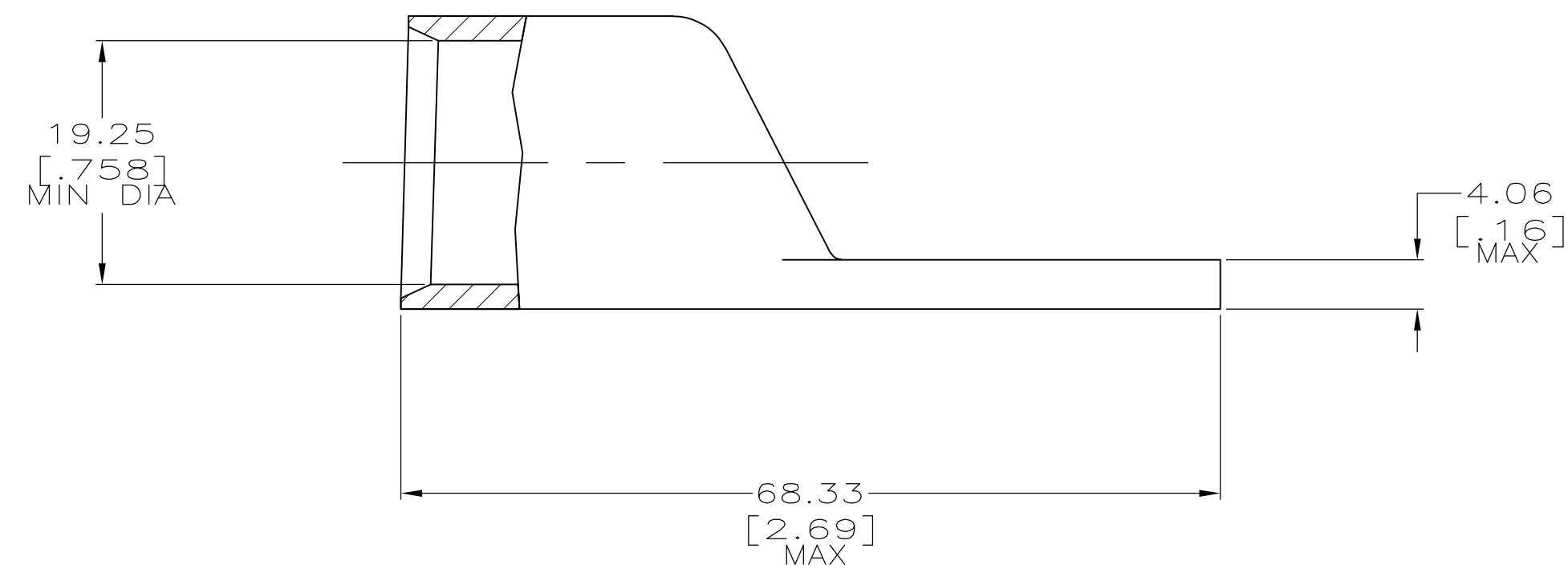


THIS DRAWING IS UNPUBLISHED. RELEASED FOR PUBLICATION
 © COPYRIGHT BY TYCO ELECTRONICS CORPORATION. ALL INTERNATIONAL RIGHTS RESERVED.

LOC	DIST	REVISIONS					
		P	LTR	DESCRIPTION	DATE	DWN	APVD
G	86	Z		REV PER ECR 05-012008	09JUN08	JR	MS



- 1 CIRCULAR MIL AREA RANGE: 275-325 MCM
- 2 TIN PL 0.00381[.000150] MIN THK PER ASTM B-545
- 3 NO SIGHT HOLE
- 4 STAMP FOR MANUFACTURING LOCATION PERMISSIBLE.



3 4 325805-1
 325805
 PART NO.

THIS DRAWING IS A CONTROLLED DOCUMENT.		DWN DK SCHRUM 02/28/90	Tyco Electronics Corporation Harrisburg, PA 17105-3608	
DIMENSIONS: MM [INCHES]		CHK MS FEHER 23JAN95	NAME	
TOLERANCES UNLESS OTHERWISE SPECIFIED:		APVD TL SHUTTER 23JAN95	PRODUCT SPEC	
0 PLC ± -		APPLICATION SPEC		SIZE
1 PLC ± -		108-30200		CAGE CODE
2 PLC ± 0.51[.020]		-		DRAWING NO
3 PLC ± -		-		RESTRICTED TO
4 PLC ± -		-		SCALE
ANGLES ± -		WEIGHT .154 LB		SHEET 1 of 1
FINISH		CUSTOMER DRAWING		REV Z

325805

A