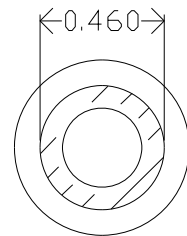
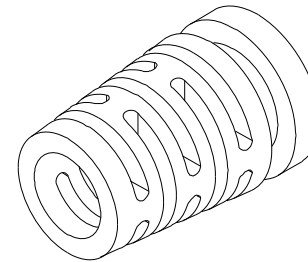
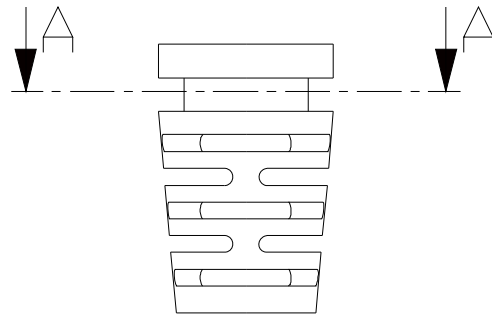
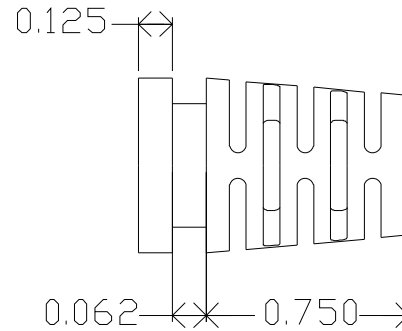
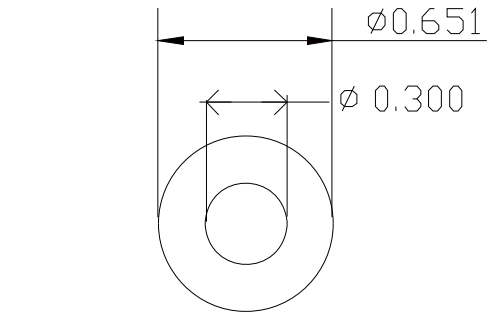


| ZONE | | REV. | REVISIONS DESCRIPTION | DATE | APPROVED |
|------|--|------|-----------------------|------|----------|
| | | | | | |



A-A

MOLD MATERIAL: ISC P/N: 5000214, PVC, M1472, Black, RoHS

Dimensions are subject to change.

PROPRIETARY AND CONFIDENTIAL

THE INFORMATION CONTAINED IN THIS DRAWING IS THE SOLE PROPERTY OF ISC ENGINEERING. ANY REPRODUCTION IN PART OR AS A WHOLE WITHOUT THE WRITTEN PERMISSION OF ISC ENGINEERING IS PROHIBITED.

| DIMENSIONS ARE IN INCHES | | NAME | DATE | ISC Engineering 4351 Schaefer Ave, Chino, CA 91710 Ph: 909-596-3315 Fax: 909-596-3335 www.iscengineering.com www.overmoldtooling.com |
|--------------------------|---------|----------------------|----------|--|
| TOLERANCES: | | DRAWN | 10/14/04 | |
| FRACTIONAL ± | | CHECKED | | |
| ANGULAR: MACH ± BEND ± | | ENG APPR. | | |
| TWO PLACE DECIMAL ± | | MFG APPR. | | |
| THREE PLACE DECIMAL ± | | QA | | |
| MATERIAL -- | | COMMENTS: | | Multiflex, Round SR |
| NEXT ASSY | USED ON | FINISH -- | | 1461080-300-B-460-651-0 |
| APPLICATION | | DO NOT SCALE DRAWING | | 1467115 |
| | | SCALE: 2:1 | | WEIGHT: SHEET 1 OF 1 |

ISC ENGINEERING
CONTROLLED COPY
Rich Fierro 02/19/2019