

10 9 8 7 6 5 4 3 2 1

F

E

D

C

B

A

F

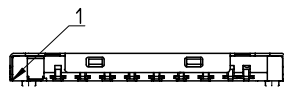
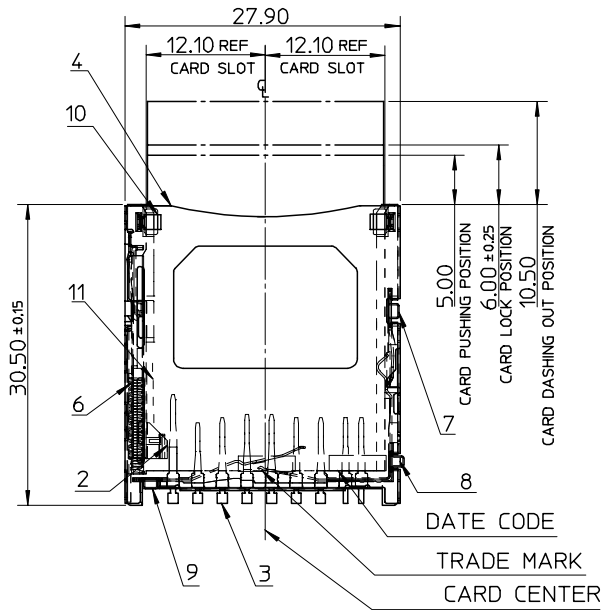
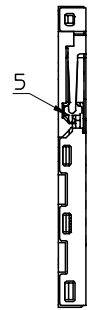
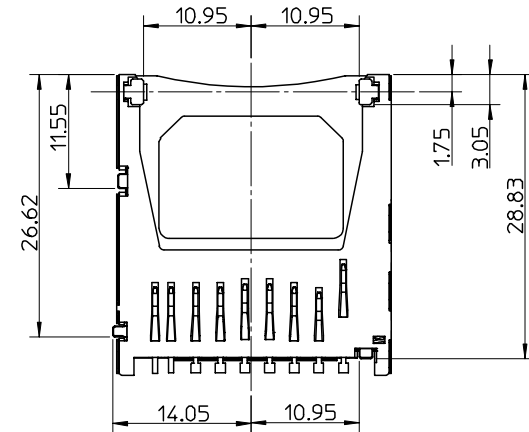
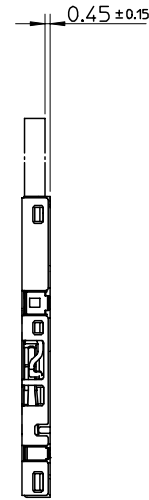
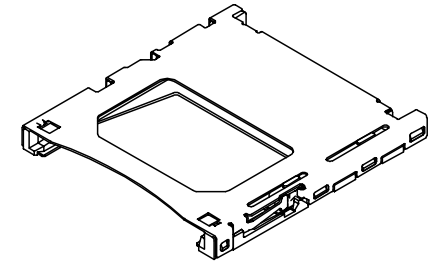
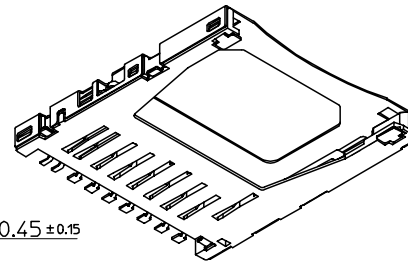
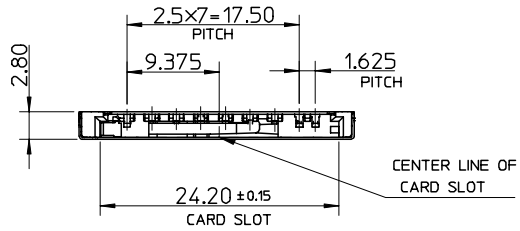
E

D

C

B

A



|                    |            |
|--------------------|------------|
| UPDATE DRAWING     | 2006/10/11 |
| EC NO: SH2007-0231 | 2006/10/18 |
| DRWN: ZHEN         | 2006/10/18 |
| CHKD: JIAN         | 2006/10/19 |
| APPR: JINCHEN      | 2006/10/19 |

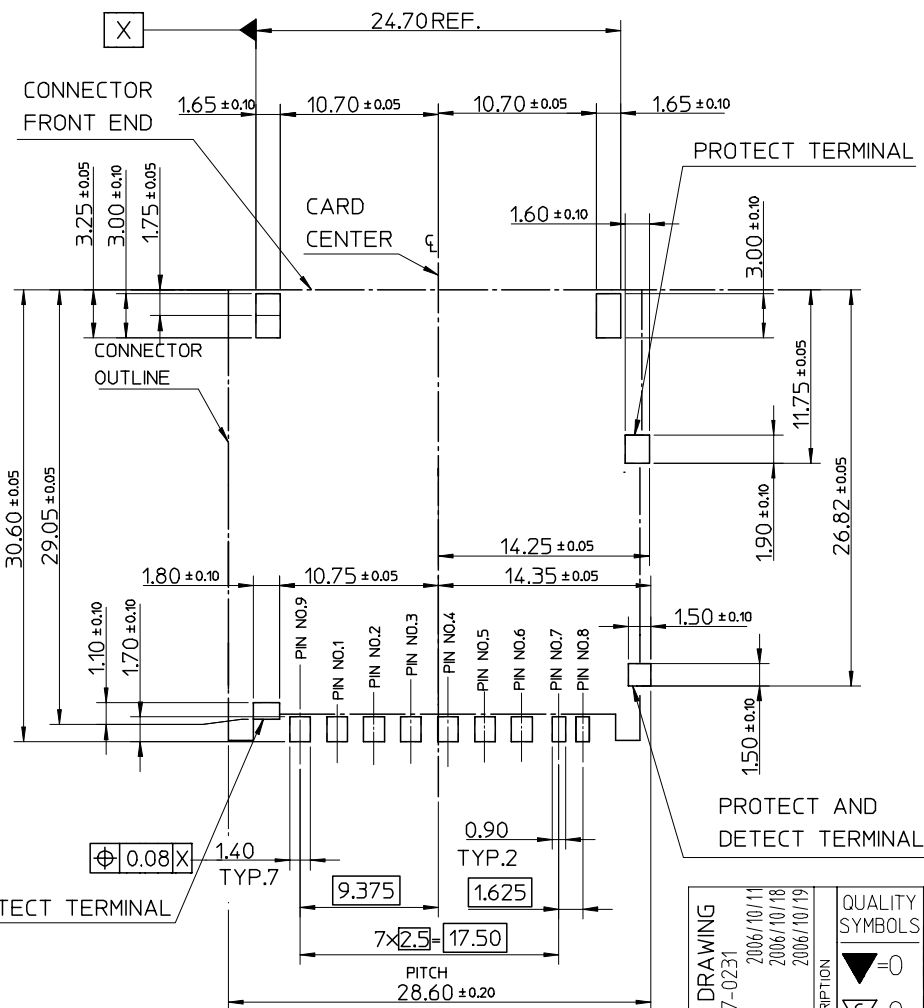
| REV | DESCRIPTION     |
|-----|-----------------|
| ▽=0 | QUALITY SYMBOLS |
| ▽=0 |                 |

|  |       |
|--|-------|
| GENERAL TOLERANCES (UNLESS SPECIFIED)                |       |
| mm   | INCH  |
| 4 PLACES ± ---                                       | ± --- |
| 3 PLACES ± ---                                       | ± --- |
| 2 PLACES ± 0.25                                      | ± --- |
| 1 PLACE ± 0.25                                       | ± --- |
| ANGULAR ± 3 °  |       |
| DRAFT WHERE APPLICABLE MUST REMAIN WITHIN DIMENSIONS |       |

|                 |            |
|-----------------|------------|
| DIMENSION STYLE |            |
| MM ONLY         |            |
| DRAWN BY        | DATE       |
| DAVID HU        | 2004/12/20 |
| CHECKED BY      | DATE       |
| HARVEY          | 2004/12/20 |
| APPROVED BY     | DATE       |
| VINCENT         | 2004/12/20 |
| MATERIAL NO.    |            |
| 676008002       |            |

|   |              |                        |
|---|--------------|------------------------|
| SCALE   | DESIGN UNITS | THIRD ANGLE PROJECTION |
| 1:1   | METRIC       |                        |
| TITLE   |              |                        |
| SD MEMORY CARD CONN. ASS'Y (TOP MOUNT TYPE) LEAD-FREE |              |                        |
| MOLEX INCORPORATED                                    |              |                        |
| DOCUMENT NO.  | SHEET NO.    |                        |
| SD-67600-003  | 1 OF 3       |                        |

9 8 7 6 5 4 3 2 1



- NOTES:
- 1.TERMINAL AND NAIL COPLANARITY TO BE 0.1 MAX.
  - 2.WHEN DELIVERING, THE PUSH/PUSH MECHANISM IS IN THE STATE OF THE UNLOCK.(CARD DASHING OUT POSITION)
  - 3.CARD READ ONLY BY THE TIME THE CARD DETECTION SWITCH WORKS.
  - 4.OPENING AND CLOSE OF EACH SWITCH.

| CARD INSERTION STATE | WRITE PROTECT SWITCH   |                       | CARD DETECT SWITCH |
|----------------------|------------------------|-----------------------|--------------------|
|                      | WRITE PROTECT POSITION | WRITE ENABLE POSITION |                    |
| CARD UNINSERTION     | OPEN                   | OPEN                  | OPEN               |
| CARD HALF INSERTION  | CLOSE                  | CLOSE                 | OPEN               |
| CARD INSERTION       | OPEN                   | CLOSE                 | CLOSE              |

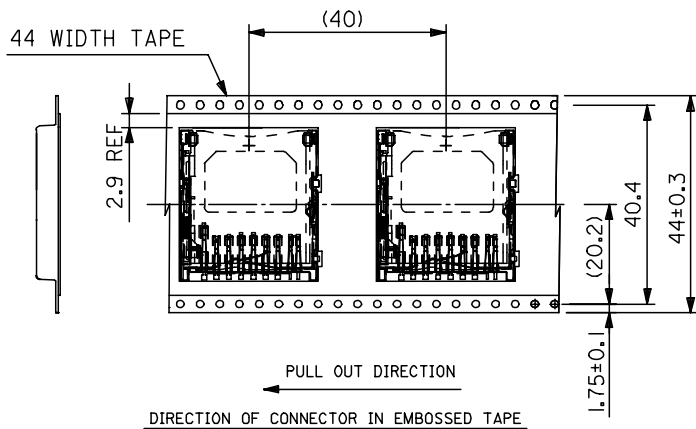
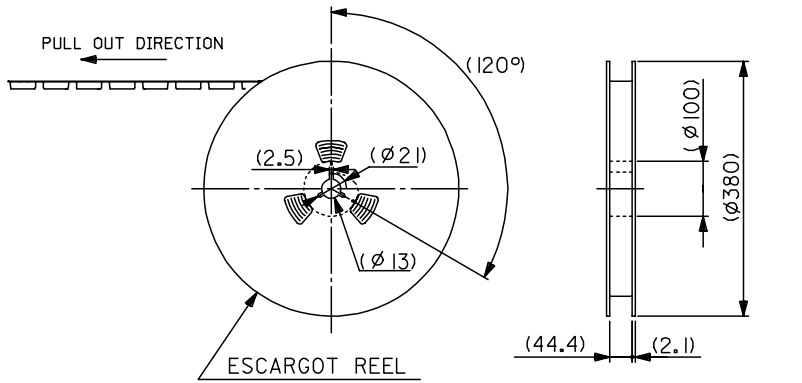
5. TERMINAL PLATING
- CONTACT AREA:
- GOLD, THICKNESS=0.2 MICRON MIN.
  - SOLDER TAIL AREA(A): TIN, THICKNESS=1.27 MICRON MIN.
  - (B): GOLD FLASH, THICKNESS=0.05 MICRON MIN.
  - UNDER PLATE: NICKEL, THICKNESS=1 MICRON MIN.

6. PRODUCT SPECIFICATION : PER PS-67600-002

RECOMMENDED PCB PATTERN LAYOUT

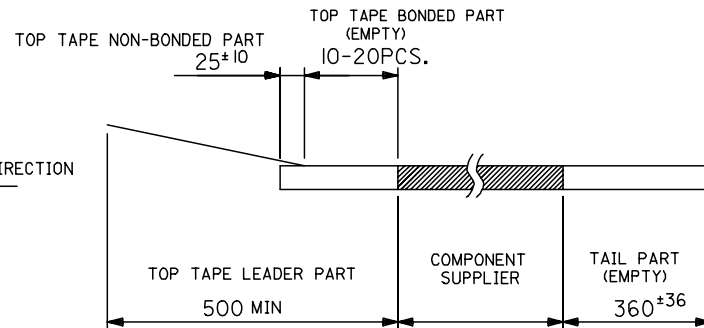
|                         |                 |
|-------------------------|-----------------|
| UPDATE DRAWING          | QUALITY SYMBOLS |
| EC NO: SH2007-0231      | ▽=0             |
| DRWN:ZHEN 2006/10/11    | ▽=0             |
| CHKD:JTIAN 2006/10/18   |                 |
| APPR: JNCHEN 2006/10/19 |                 |
| REV                     | DESCRIPTION     |

|                                       |        |                            |  |                    |   |                        |  |
|---------------------------------------|--------|----------------------------|--|--------------------|---|------------------------|--|
| GENERAL TOLERANCES (UNLESS SPECIFIED) |        | DIMENSION STYLE<br>MM ONLY |  | SCALE<br>1:1       | DESIGN UNITS<br>METRIC  | THIRD ANGLE PROJECTION |  |
|                                       | mm     | INCH                       | DRAWN BY<br>DAVID HU                                       | DATE<br>2004/12/20 | TITLE<br>SD MEMORY CARD CONN.<br>ASS'Y (TOP MOUNT TYPE)<br>LEAD-FREE  |                        |  |
| 4 PLACES                              | ± ---  | ± ---                      | CHECKED BY<br>HARVEY                                       | DATE<br>2004/12/20 | MOLEX INCORPORATED  |                        |  |
| 3 PLACES                              | ± ---  | ± ---                      | APPROVED BY<br>VINCENT                                     | DATE<br>2004/12/20 | DOCUMENT NO.<br>SD-67600-003  |                        |  |
| 2 PLACES                              | ± 0.25 | ± ---                      | MATERIAL NO.<br>676008002                                  |                    | SHEET NO.<br>2 OF 3   |                        |  |
| 1 PLACE                               | ± 0.25 | ± ---                      | DRAFT WHERE APPLICABLE<br>MUST REMAIN<br>WITHIN DIMENSIONS |                    | THIS DRAWING CONTAINS INFORMATION THAT IS PROPRIETARY TO MOLEX INCORPORATED AND SHOULD NOT BE USED WITHOUT WRITTEN PERMISSION |                        |  |
| ANGULAR ± 3 °                         |        |                            |  |                    |   |                        |  |

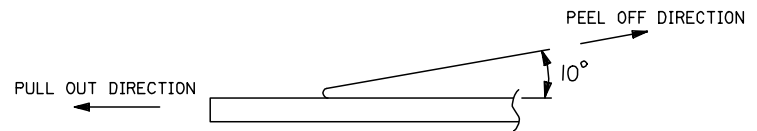


**NOTES**

1. NUMBER OF CONNECTORS: 400 PCS/REEL
- 2.



3. PEEL-OFF FORCE OF TOP TAPE: 0.1~1.3 N (10.2~130gf)  
(PEELING DIRECTION AS SHOWN IN FOLLOWING FIG.)  
<PEEL-OFF SPEED:300mm/min (REF.)>



|                    |             |
|--------------------|-------------|
| UPDATE DRAWING     | 2006/10/19  |
| EC NO: SH2007-0231 |             |
| DRWN: ZHEN         |             |
| CHKD: JIAN         |             |
| APPR: JICHEN       |             |
| REV                | DESCRIPTION |

|                 |     |
|-----------------|-----|
| QUALITY SYMBOLS | ▽=0 |
|                 | ▽=0 |

|  |                 |       |
|--|-----------------|-------|
| GENERAL TOLERANCES (UNLESS SPECIFIED)                | DIMENSION STYLE |       |
|  | MM ONLY         |       |
| 4 PLACES   | ± ---           | ± --- |
| 3 PLACES   | ± ---           | ± --- |
| 2 PLACES   | ± 0.25          | ± --- |
| 1 PLACE  | ± 0.25          | ± --- |
| ANGULAR ± 3 °  |                 |       |
| DRAFT WHERE APPLICABLE MUST REMAIN WITHIN DIMENSIONS |                 |       |

|              |            |
|--------------|------------|
| DRAWN BY     | DATE       |
| DAVID HU     | 2004/12/20 |
| CHECKED BY   | DATE       |
| HARVEY       | 2004/12/20 |
| APPROVED BY  | DATE       |
| VINCENT      | 2004/12/20 |
| MATERIAL NO. |            |
| 676008002    |            |

|   |              |                        |
|---|--------------|------------------------|
| SCALE   | DESIGN UNITS | THIRD ANGLE PROJECTION |
| 1:1   | METRIC       |                        |
| TITLE   |              |                        |
| SD MEMORY CARD CONN. ASS'Y (TOP MOUNT TYPE) LEAD-FREE |              |                        |
| MOLEX INCORPORATED                                    |              |                        |
| DOCUMENT NO.  | SHEET NO.    |                        |
| SD-67600-003  | 3 OF 3       |                        |