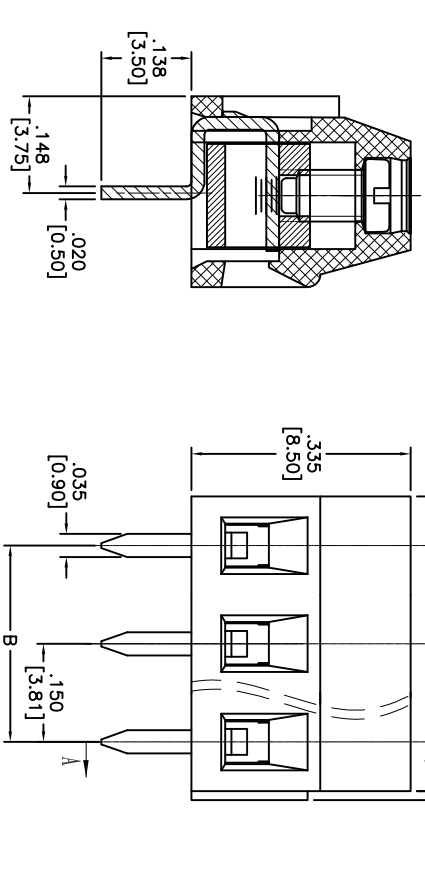
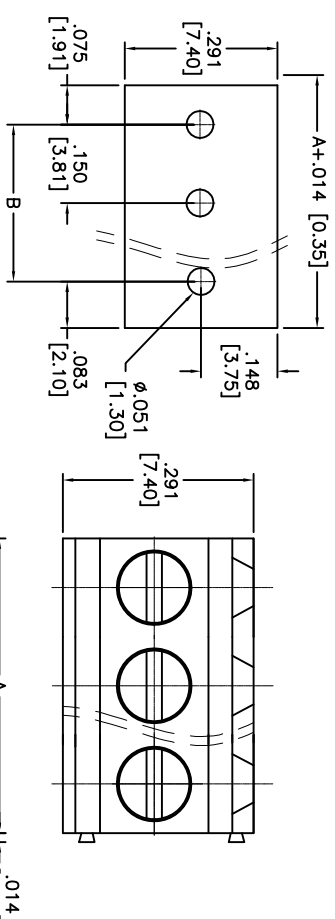


APPROVED: _____ TITLE: _____

DATE: _____

Rev	AWO #	Description	Date	Appr
-		RELEASED	1/13/15	



Positions: 2 thru 24
 A = .150 [3.81] x No. of Positions
 B = .150 [3.81] x No. of Spaces

SPECIFICATIONS:

- Material:
 Insulator: PA66, rated UL 94V-0
 Insulator color: Green
 Contact: Brass, Tin plated
 Screw: Steel, M2/Zinc plated
- Electrical:
 Voltage rated: 300 VAC max
 Current rated: 10 Amps max
 Contact resistance: 20 mΩ
 Insulation resistance: 500 MΩ/ 500VDC
 Withstanding voltage: 2000 VAC for 1 minute
- Mechanical:
 Torque: 0.2Nm (1.8 lb.in)
 Wire Range: 28-16Awg 1.0mm²
 Strip Length: 4-5mm
- Environmental:
 Operating temperature: -40°C to +105°C
 Lead free, RoHS compliant.



UNLESS OTHERWISE SPECIFIED ALL DIMENSIONS ARE MM [INCHES] TOLERANCES: EXCEPT AS NOTED	
INCHES	HOLES
X ± .10	ØX ± .10
.XX ± .020	ØXX ± .015
.XXX ± .015	ØXXX ± .010
APPROVALS	DATE
DRAWN AY	1/13/15
CHECKED GC	1/13/15
APPROVED	

ADAM TECH
 909 Rahway Avenue, Union, NJ 07083
 Phone: 908-687-5000 Fax: 908-687-5710

TITLE
**TERMINAL BLOCK, PCB, VERTICAL,
 .150 [3.81] PITCH**

SIZE	PART NO.	REV.
X	EBWA-XX-B	-
REF: S00067C	SCALE: NTS	SHEET 1 OF 1