

6

5

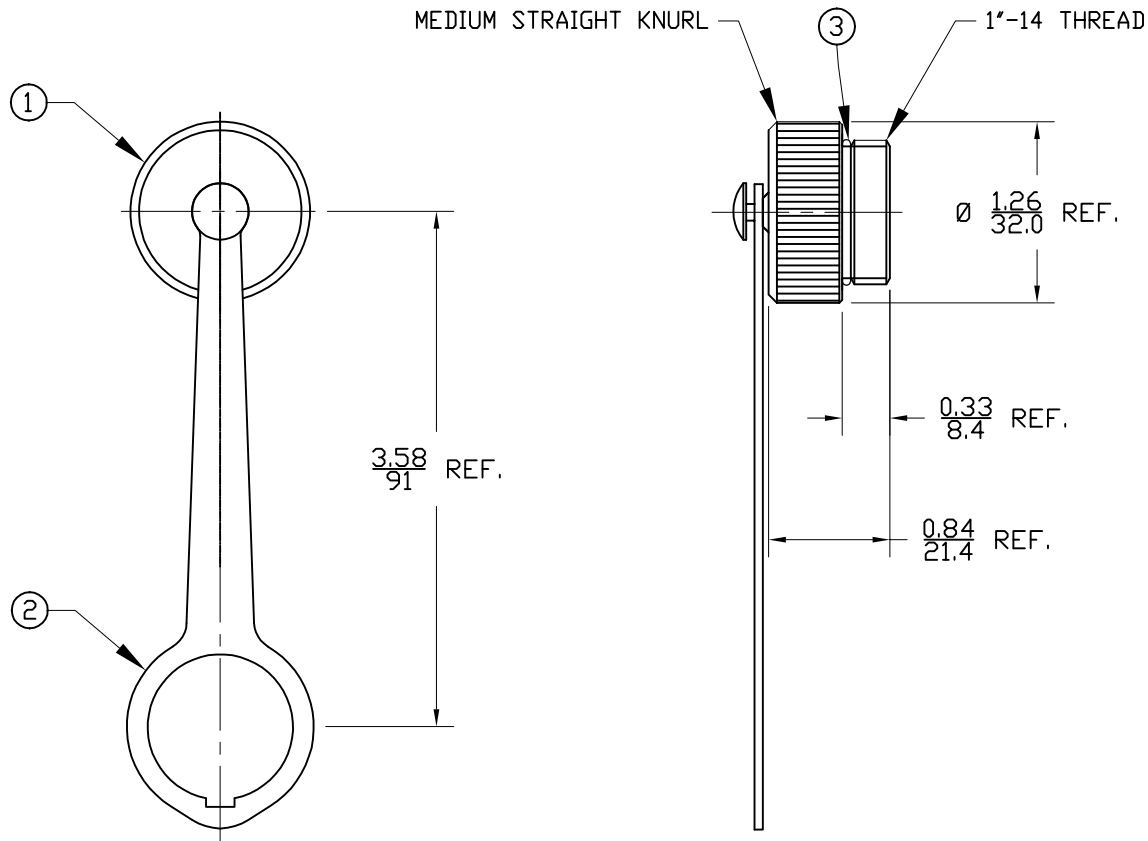
4

3

2

1

SAP P/N#	ENGINEERING NO.
1300580036	67-0301



NOTES:

- 1) MATERIAL: SEE TABLE
- 2) FINISHES: SEE TABLE
- 3) ENVIRONMENTAL PROTECTION: IP67 U/V STABLE
- 4) ASSEMBLY IS RoHS COMPLIANT.

ITEM	QTY.	DESCRIPTION	MATERIAL	FINISH
3	1	O-RING	NITRILE	BLACK
2	1	LANYARD	RUBBER	BLACK
1	1	CLOSURE CAP	ACETAL	BLACK

SD RELEASE	EC NO: WNA2010-0137	8/27/09
	DRWN: VOU	
	CHKD: BWOODMAN	08/27
	APPR: JFMURPHY	2009/08/28
REV	DESCRIPTION	QUALITY SYMBOLS
1		$\nabla=0$ $\nabla C=0$

GENERAL TOLERANCES (UNLESS SPECIFIED)		
	mm	INCH
4 PLACES	±----	±----
3 PLACES	±----	±.005
2 PLACES	±----	±.010
1 PLACE	±----	±.020
ANGULAR ±1°		
DRAFT WHERE APPLICABLE MUST REMAIN WITHIN DIMENSIONS		

DIMENSION STYLE	
INCH/MM	
DRAWN BY	DATE
VOU	2009/08/27
CHECKED BY	DATE
BWOODMAN	2009/08/31
APPROVED BY	DATE
JFMURPHY	2009/08/27
MATERIAL NO.	
SEE CHART	
SIZE	
A	

SCALE	DESIGN UNITS	 THIRD ANGLE PROJECTION
3:4	INCH	
TITLE		
MALE RJLNXX CAP W/ LNYRD		
MATERIAL NO.		
SEE CHART		
DOCUMENT NO.		SHEET NO.
SD-130058-002		1 OF 1

THIS DRAWING CONTAINS INFORMATION THAT IS PROPRIETARY TO MOLEX INCORPORATED AND SHOULD NOT BE USED WITHOUT WRITTEN PERMISSION

6

5

4

3

2

1