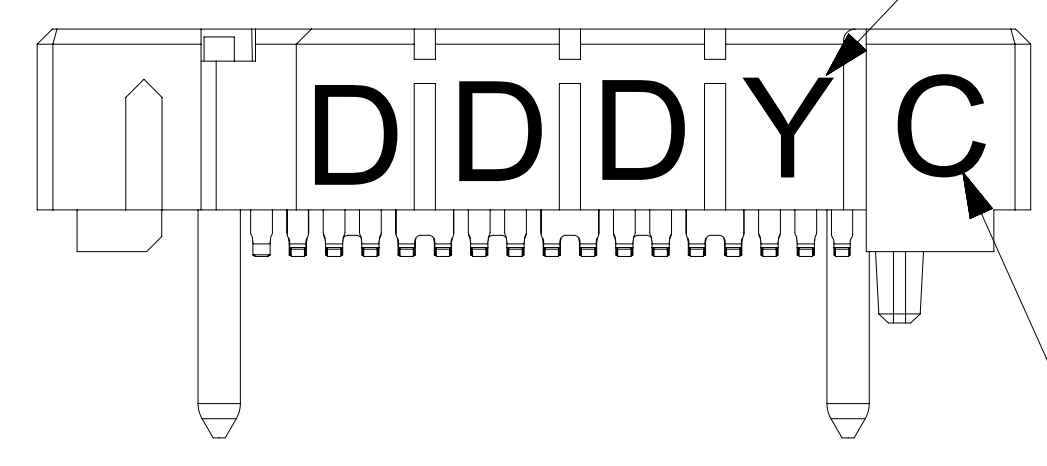


2033162100 WITH PICK AND PLACE DUST COVER
(SCALE 6:1)

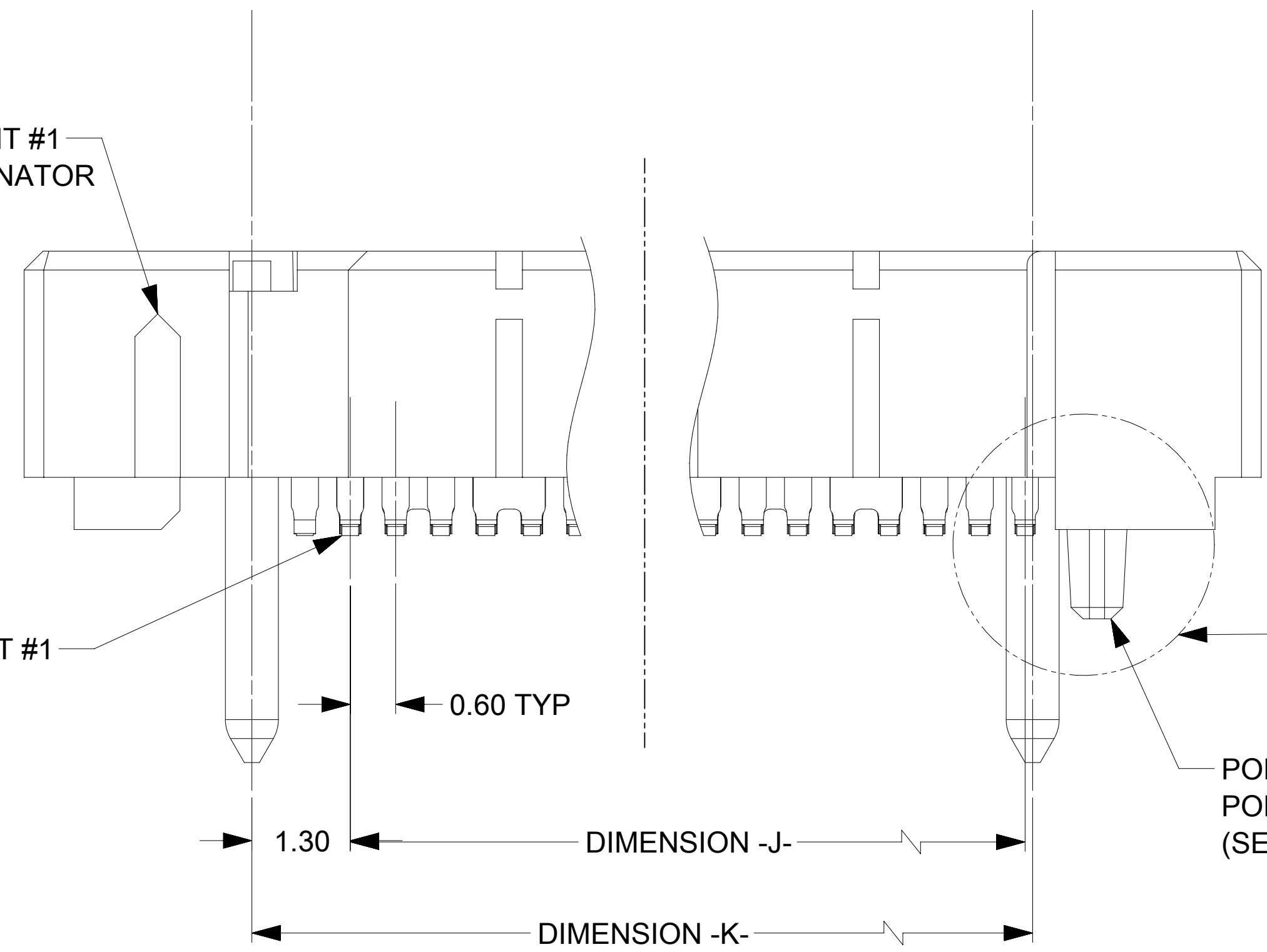


DDDY JULIAN DATE CODE
2.00 ± 0.25
LASER ETCHED
HIGH CHARACTERS

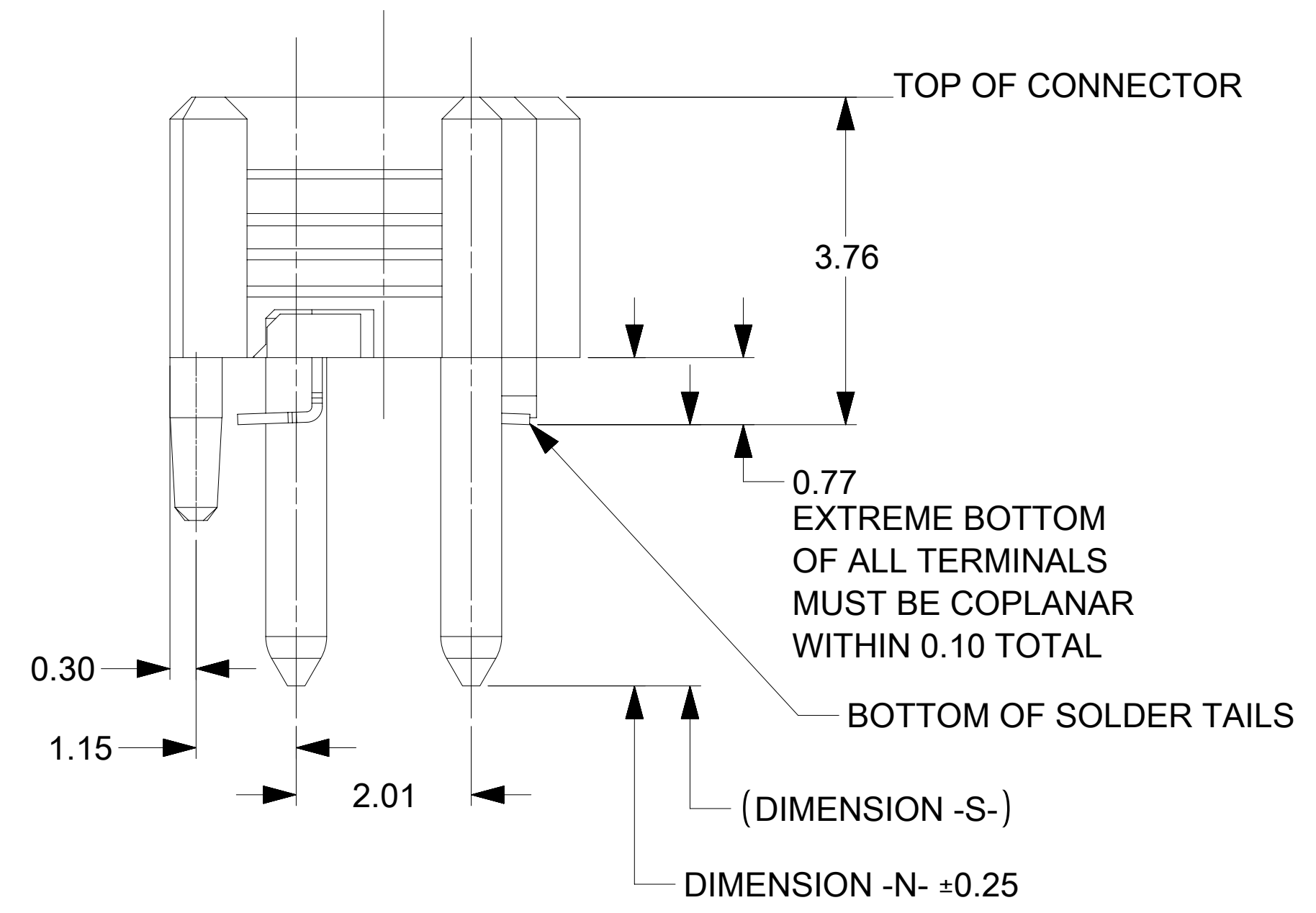
IMPEDANCE IDENTIFIER
C = 100 OHMS

CIRCUIT #1
DESIGNATOR

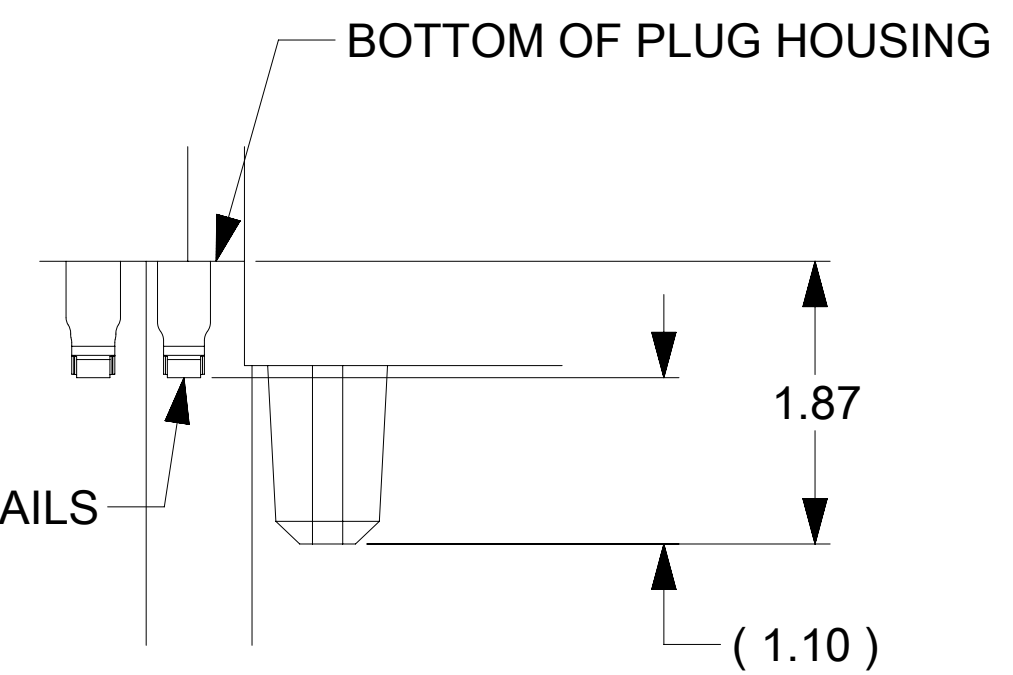
CIRCUIT #1



POLARIZATION PEG
POLARIZED OPTION ONLY
(SEE TABLE)

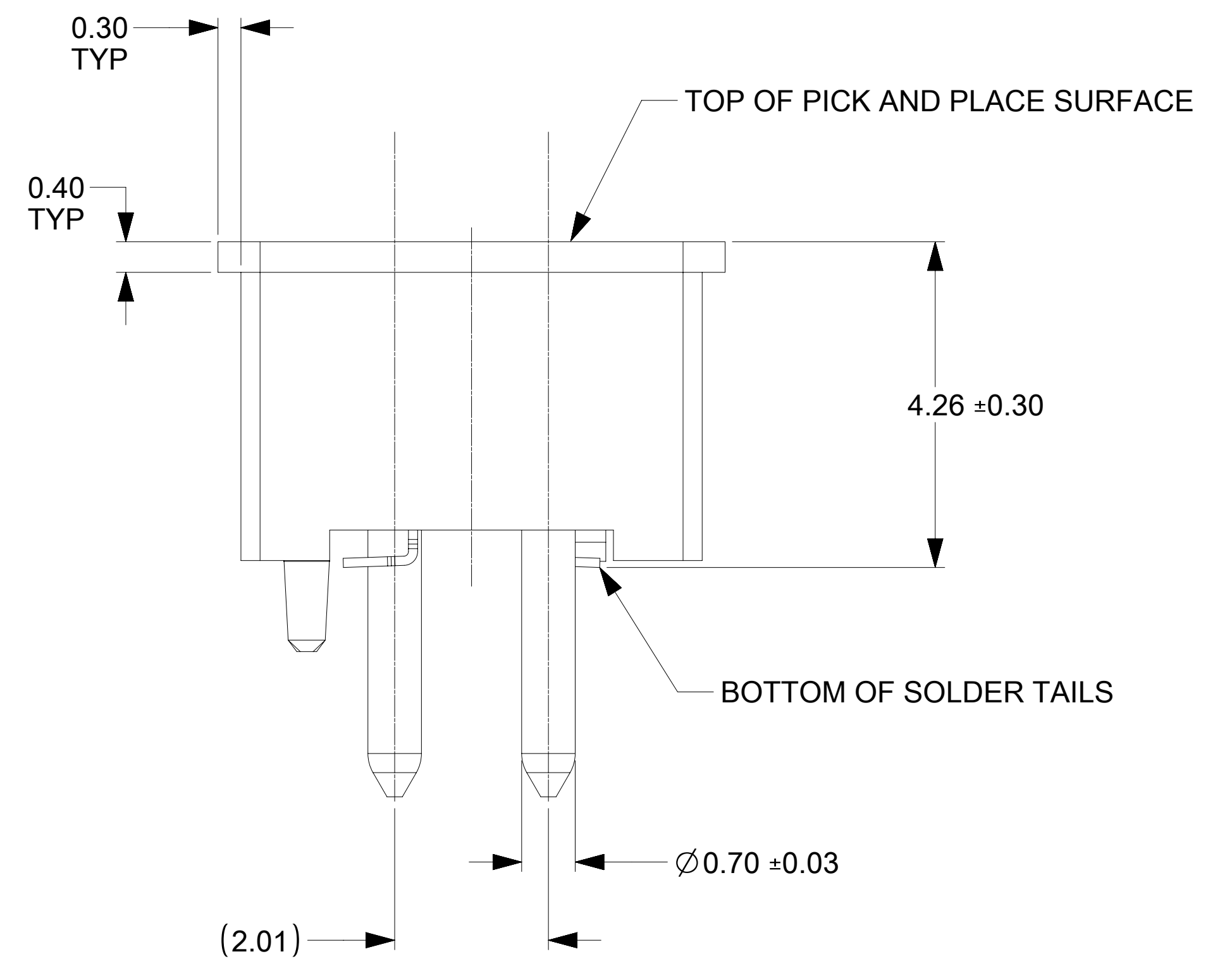
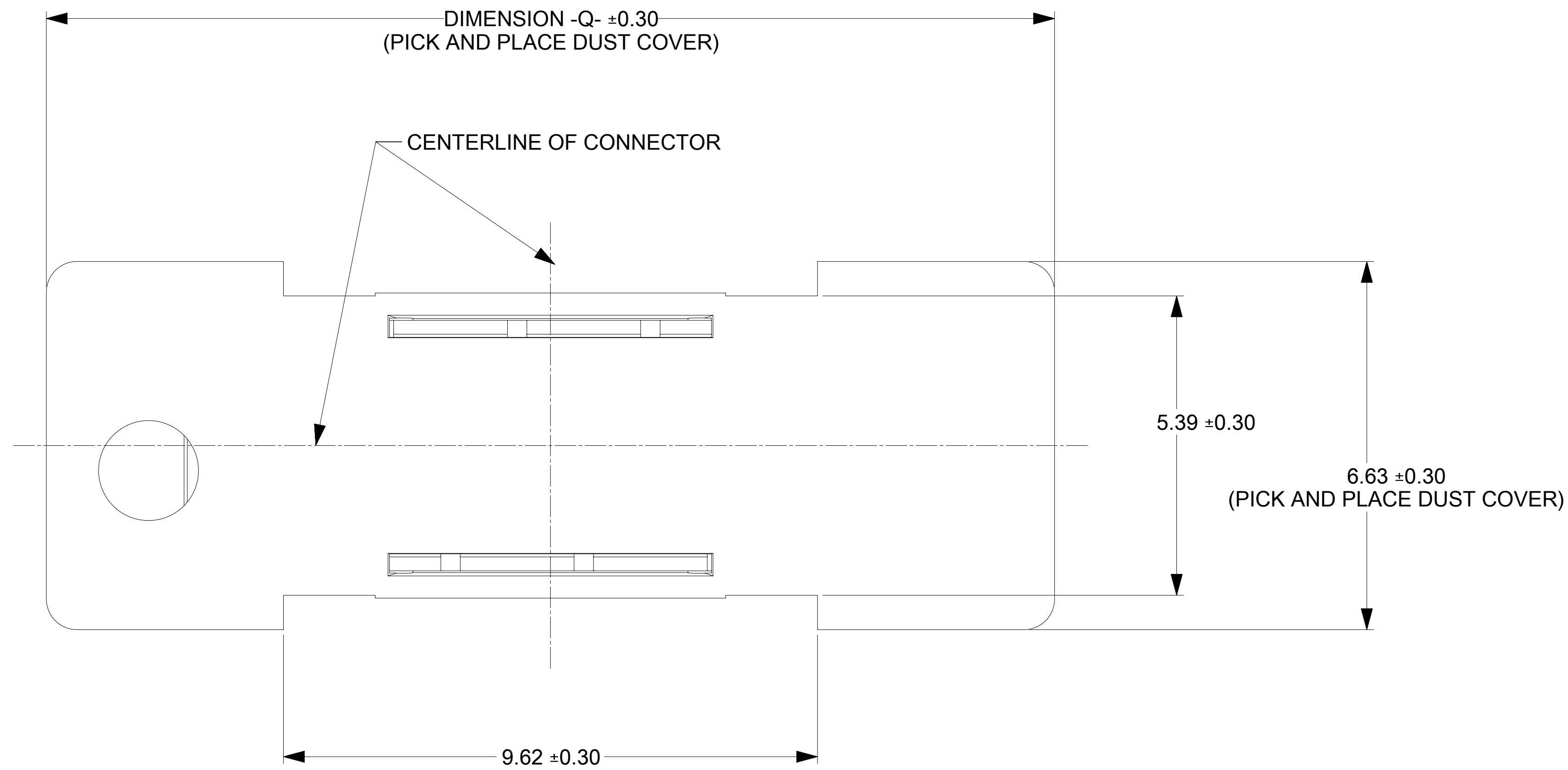


- NOTES:
- MATERIAL:
HOUSING: LCP, GLASS FILLED, UL 94V-0 BLACK
PICK AND PLACE DUST COVER: LCP, GLASS FILLED, UL 94V-0 NATURAL
CONTACT: HIGH PERFORMANCE COPPER ALLOY
SOLDER NAIL: STAINLESS STEEL
 - FINISH:
CONTACT: 30 MICROINCHES (0.76 MICRONS) MIN SELECTIVE GOLD ON CONTACT AREA,
2 MICROINCHES (0.05 MICRONS) MIN SELECTIVE GOLD ON SOLDER TAIL OVER
50 MICROINCHES (1.27 MICRONS) MIN NICKEL OVERALL.
SOLDER NAIL: TIN OVER 50 MICROINCHES NICKEL MIN
 - PRODUCT SPECIFICATION: 2033160001
 - PACKAGING SPECIFICATION: 2033169100
 - APPLICATION SPECIFICATION: 2033160001-AS
 - MATES TO SEE TABLE
 - SEE APPLICATION TOOLING SPECIFICATION 200199-1190 FOR KEEP OUT ZONE SPECIFICATION
 - MUST CONFORM TO THE COSMETIC SPECIFICATION: PS-45499-002, CLASS B; EXCEPT ANY IMPERFECTIONS MUST FIT WITHIN A 0.08mm DIAMETER SPHERE (DUE TO THE SMALL SIZE OF THIS PART).



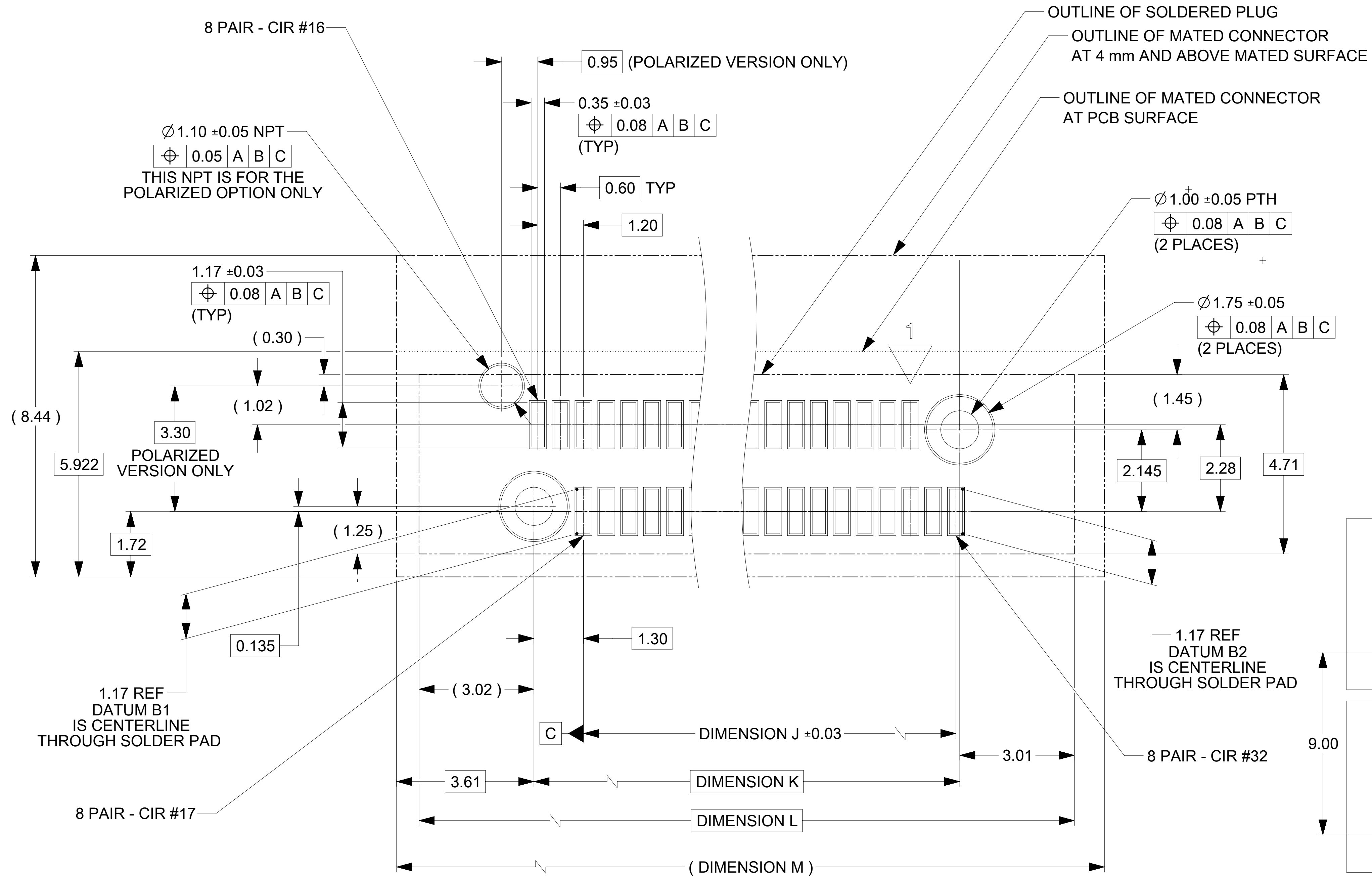
DETAIL M
SCALE 20:1

FUNCTIONAL SYMBOLS FA = 0 FC = 0 FD = 0	THIS DRAWING CONTAINS INFORMATION THAT IS PROPRIETARY TO MOLEX ELECTRONIC TECHNOLOGIES, LLC AND SHOULD NOT BE USED WITHOUT WRITTEN PERMISSION		CURRENT REV DESC: UPDATED SHEETS 3 AND 4 TO ONLY CALL OUT 8DP PRODUCTS.				
	DIMENSION UNITS mm	SCALE 16:1	GENERAL TOLERANCES (UNLESS SPECIFIED) ANGULAR TOL ± 1.0°			NEARSTACK PLUG 100OHM 33°GEN2 GOLD FLASH	
DIVISIONAL SYMBOLS SI = 0 TA = 0	4 PLACES ±	3 PLACES ±	2 PLACES ± 0.15	1 PLACE ±	0 PLACES ±		
DRAFT WHERE APPLICABLE MUST REMAIN WITHIN DIMENSIONS		THIRD ANGLE PROJECTION	DRAWING	SERIES	MATERIAL NUMBER	CUSTOMER	SHEET NUMBER
			D-SIZE	203316	SEE TABLE	GENERAL MARKET	1 OF 4

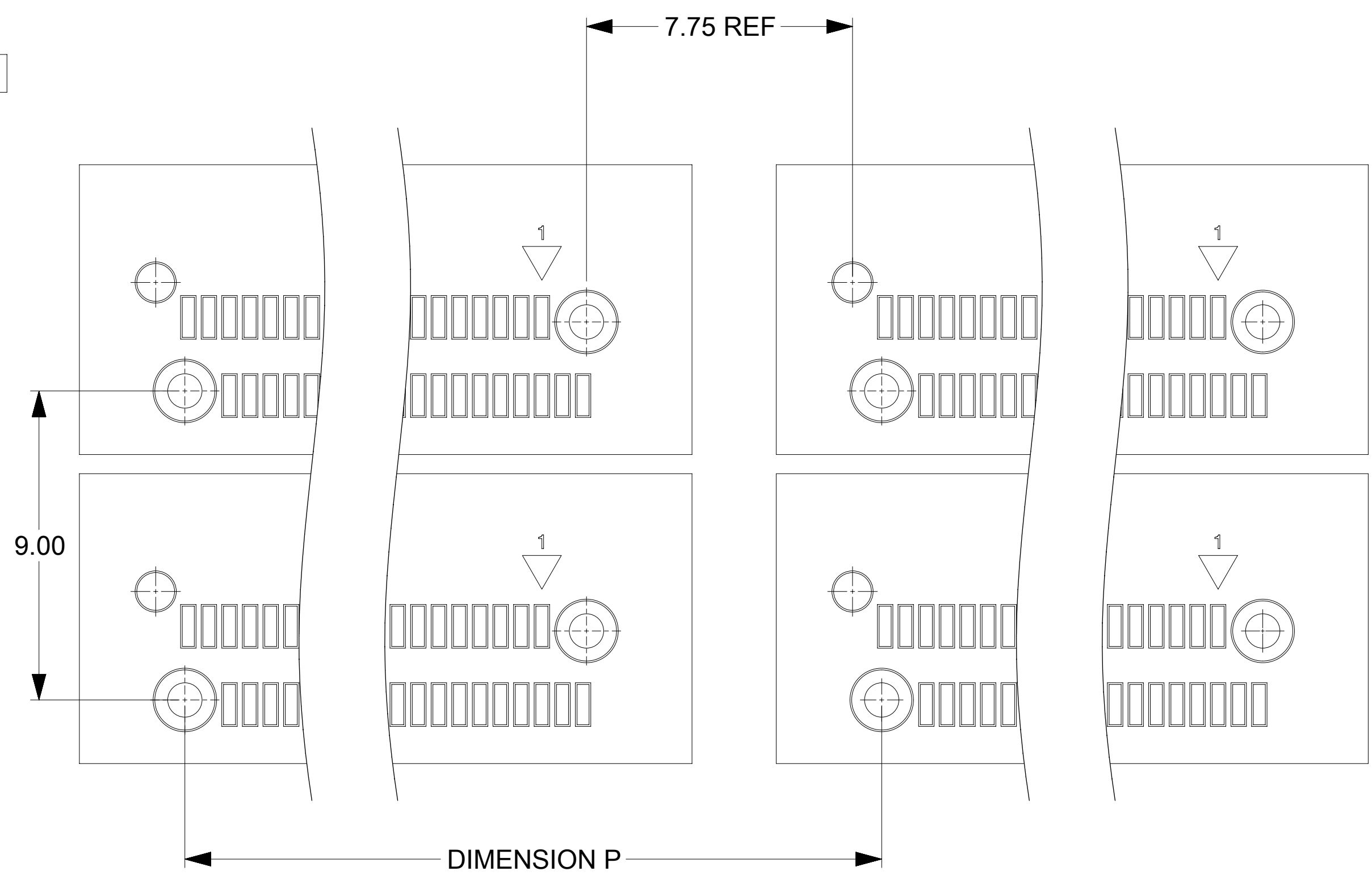


FUNCTIONAL SYMBOLS $\nabla_A = 0$ $\nabla_C = 0$ $\nabla_P = 0$	DIMENSION UNITS mm	SCALE 1:1	THIS DRAWING CONTAINS INFORMATION THAT IS PROPRIETARY TO MOLEX ELECTRONIC TECHNOLOGIES, LLC AND SHOULD NOT BE USED WITHOUT WRITTEN PERMISSION CURRENT REV DESC: UPDATED SHEETS 3 AND 4 TO ONLY CALL OUT 8DP PRODUCTS.		
	GENERAL TOLERANCES (UNLESS SPECIFIED) ANGULAR TOL $\pm 1.0^\circ$		molex NEARSTACK PLUG 100OHM 33°GEN2 GOLD FLASH		
DIVISIONAL SYMBOLS $\nabla_{SI} = 0$ $\nabla_{TA} = 0$	4 PLACES \pm	3 PLACES \pm	EC NO: 676131 DRWN: MILESD2 2021/09/07 CHK'D: DMCGOWAN 2021/09/15 APPR: DMCGOWAN 2021/09/15		
	2 PLACES ± 0.15	1 PLACE \pm	INITIAL REVISION: DRWN: DVARVARA 2021/03/18 APPR: JGONZALEZ01 2021/03/31		
DRAFT WHERE APPLICABLE MUST REMAIN WITHIN DIMENSIONS		THIRD ANGLE PROJECTION 	DRAWING D-SIZE	SERIES 203316	MATERIAL NUMBER 2033162200
DOCUMENT STATUS P1		RELEASE DATE 2021/09/15 20:29:59		DOC TYPE PSD	DOC PART 000
			REVISION A1	CUSTOMER GENERAL MARKET	
			SHEET NUMBER 2 OF 4		

CABLES EMERGE FROM THIS SIDE OF THE MATED CONNECTORS



FOOT PRINT



MINIMUM RECOMMENDED GRID WITHOUT ALLOWANCE FOR EXTRACTION TOOL, SEE NOTE 7.

FOOT PRINT NOTES:
1. DATUM -A- IS THE TOP OF THE PCB

FUNCTIONAL SYMBOLS FA = 0 FC = 0 FP = 0	THIS DRAWING CONTAINS INFORMATION THAT IS PROPRIETARY TO MOLEX ELECTRONIC TECHNOLOGIES, LLC AND SHOULD NOT BE USED WITHOUT WRITTEN PERMISSION	SCALE 10:1	CURRENT REV DESC: UPDATED SHEETS 3 AND 4 TO ONLY CALL OUT 8DP PRODUCTS.			
	DIMENSION UNITS mm	GENERAL TOLERANCES (UNLESS SPECIFIED)	EC NO: 676131			
DIVISIONAL SYMBOLS SI = 0 TA = 0	ANGULAR TOL ± 1.0°	4 PLACES ±	DRWN: MILESD2 2021/09/07	PRODUCT CUSTOMER DRAWING		
	3 PLACES ±	3 PLACES ±	CHK'D: DMCGOWAN 2021/09/15	DOCUMENT NUMBER		
	2 PLACES ± 0.15	2 PLACES ±	APPR: DMCGOWAN 2021/09/15	2033162200		
	1 PLACE ±	1 PLACE ±	INITIAL REVISION: DRWN: DVARVARA 2021/03/18	DOC TYPE	DOC PART	REVISION
	0 PLACES ±	0 PLACES ±	APPR: JGONZALEZ01 2021/03/31	PSD	000	A1
DRAFT WHERE APPLICABLE MUST REMAIN WITHIN DIMENSIONS	THIRD ANGLE PROJECTION	DRAWING	SERIES	MATERIAL NUMBER	CUSTOMER	SHEET NUMBER
		D-SIZE	203316	SEE TABLE	GENERAL MARKET	3 OF 4


DOCUMENT STATUS	P1	RELEASE DATE	2021/09/15	20:29:59
-----------------	----	--------------	------------	----------

MATERIAL NUMBER	PAIRS	POLARIZATION OPTION	MATES TO SERIES	DIMENSION J (SLDR PAD TO SLD R PAD)	DIMENSION K (SLDR NAIL TO SLD R NAIL)	DIMENSION L (LENGTH OF PLUG)	DIMENSION M (MATED CONNECTOR LENGTH)	DIMENSION N (SOLDER NAIL LENGTH)	DIMENSION S (EXPOSED SOLDER NAIL LENGTH) REFERENCE ONLY	DIMENSION P (LONGITUDINAL GRID PITCH)	DIMENSION Q (LENGTH OF P&P CAP)	DIMENSION R
2033162200	8	POLARIZED	206138	9.00mm	10.40mm	16.43mm	18.00mm	3.77mm	3.00mm	19.00mm	18.16mm	22.42mm
2033162201		NON POLARIZED										
2033162204		NON POLARIZED										
2033162205		POLARIZED										
2033162206		POLARIZED										
2033162207		NON POLARIZED										

WIRING CHART FOR EIGHT PAIRS

	CIRCUIT #		CIRCUIT#
GROUND 1	1	GROUND 2	32
SIGNAL	2	SIGNAL	31
SIGNAL	3	SIGNAL	30
GROUND 1	4	GOUND 2	29
GROUND 1	5	GROUND 2	28
SIGNAL	6	SIGNAL	27
SIGNAL	7	SIGNAL	26
GROUND 1	8	GROUND 2	25
GROUND 1	9	GROUND 2	24
SIGNAL	10	SIGNAL	23
SIGNAL	11	SIGNAL	22
GROUND 1	12	GROUND 2	21
GROUND 1	13	GROUND 2	20
SIGNAL	14	SIGNAL	19
SIGNAL	15	SIGNAL	18
GROUND 1	16	GROUND 2	17

GROUND 1 AND GROUND 2 TO BE TREATED AS ELECTRICALLY COMMON

FUNCTIONAL SYMBOLS $\nabla_A = 0$ $\nabla_C = 0$ $\nabla_P = 0$ DIVISIONAL SYMBOLS $\nabla_{SI} = 0$ $\nabla_{TA} = 0$	THIS DRAWING CONTAINS INFORMATION THAT IS PROPRIETARY TO MOLEX ELECTRONIC TECHNOLOGIES, LLC AND SHOULD NOT BE USED WITHOUT WRITTEN PERMISSION		CURRENT REV DESC: UPDATED SHEETS 3 AND 4 TO ONLY CALL OUT 8DP PRODUCTS.		 NEARSTACK PLUG 100OHM 33°GEN2 GOLD FLASH PRODUCT CUSTOMER DRAWING		
	DIMENSION UNITS	SCALE	EC NO: 676131				
	mm	1:1	DRWN: MILESD2 2021/09/07				
	GENERAL TOLERANCES (UNLESS SPECIFIED)		CHK'D: DMCGOWAN 2021/09/15				
ANGULAR TOL ± 1.0°		APPR: DMCGOWAN 2021/09/15		DOCUMENT NUMBER 2033162200	DOC TYPE PSD	DOC PART 000	REVISION A1
4 PLACES ±		INITIAL REVISION:					
3 PLACES ±		DRWN: DVARVARA 2021/03/18		MATERIAL NUMBER			CUSTOMER GENERAL MARKET
2 PLACES ± 0.15		APPR: JGONZALEZ01 2021/03/31		SERIES			
1 PLACE ±		DRAFT WHERE APPLICABLE MUST REMAIN WITHIN DIMENSIONS		DRAWING			SHEET NUMBER 4 OF 4
0 PLACES ±		THIRD ANGLE PROJECTION		D-SIZE			
DRAFT WHERE APPLICABLE MUST REMAIN WITHIN DIMENSIONS		THIRD ANGLE PROJECTION		D-SIZE			SEE TABLE