



PRODUCT SPECIFICATION

MAGKRIMP SPLICES AND TERMINALS

1.0 SCOPE

This Product Specification covers the tin plated Magkrimp splice and terminal connector series terminated with 14 to 4/0 AWG copper or aluminum magnet wire or lead wire or various combinations of magnet or lead wire using crimp technology.

2.0 PRODUCT DESCRIPTION

2.1 PRODUCT NAME AND SERIES NUMBER(S)

Splices	19195	4,110-230,000 CMA (Circular Mil Area)
Ring & Spade Terminals	19195	4,110-230,000 CMA (Circular Mil Area)

2.2 DIMENSIONS, MATERIALS, PLATINGS AND MARKINGS

See the appropriate sales drawings for the information on dimension, materials, platings, and specifications.

2.3 SAFETY AGENCY APPROVALS

UL File #E*****
CSA Certificate #LR *****-***

3.0 APPLICABLE DOCUMENTS AND SPECIFICATIONS

4.0 RATINGS

4.1 VOLTAGE

2000 Volts AC (RMS)

4.2 CURRENT AND APPLICABLE WIRES

Wire is copper or aluminum, insulated or uninsulated, magnet or lead wire.

<u>AWG</u>	<u>Amps</u>
14	15
12	20
10	30
8	50
6	65
4	85
3	100
2	115
1	130
1/0	150
2/0	175
3/0	200
4/0	230

<u>REVISION:</u> A	<u>ECR/ECN INFORMATION:</u> <u>EC No:</u> ETC2002-0307 <u>DATE:</u> 2002 / 04 / 26	<u>TITLE:</u> PRODUCT SPECIFICATION FOR MAGKRIMP SPLICES, RING, & SPADE TERMINALS	<u>SHEET No.</u> 1 of 5
<u>DOCUMENT NUMBER:</u> PS-19195-001	<u>CREATED / REVISED BY:</u> JPAWLICKI	<u>CHECKED BY:</u> RDEROSS	<u>APPROVED BY:</u> RDEROSS



PRODUCT SPECIFICATION

4.3 TEMPERATURE

Operating: - 40°C to + 110°C
 Nonoperating: - 40°C to + 110°C

5.0 PERFORMANCE

5.1 ELECTRICAL REQUIREMENTS

ITEM	DESCRIPTION	TEST CONDITION	REQUIREMENT
1	Millivolt Drop PS-19902-001 Section 5.1	Terminate the applicable wire to the terminal and measure with one ampere of test current flowing through the wire conductor and terminal. Drop is measured from a point on the surface of the crimp midway between the ends of crimp to a point on the wire 1-1/2" from the point on the crimp.	<110% millivolt drop of equal length of wire
2	Static Heating (Temperature Rise) UL 486A Section 11 UL 486C Section 10	Terminate the applicable wire to the terminal. Samples must carry continuously the value of test current specified for the appropriate conductor size until stable temperatures are reached. Reference UL 486A Section 11 or UL 486C Section 10.	Temperature rise: +50°C MAXIMUM

5.2 MECHANICAL REQUIREMENTS

ITEM	DESCRIPTION	TEST CONDITION	REQUIREMENT
1	Pullout (Axial) UL 486A Section 12 UL 486C Section 13	Terminate the applicable wire to the terminal and suspend appropriate weight to end of wire per table. Weight is applied for a minimum duration of 1 minute.	No separation with minimum pullout force applied per table for appropriate AWG wire.
2	Secureness UL 486A Section 10 UL 486C Section 11	Terminate the applicable wire to the terminal and suspend appropriate weight to end of wire per table. Suspended wire is oscillated at 9 RPM for 30 minutes.	Joint between connector and conductor must be intact.

6.0 PACKAGING

Parts shall be packaged to protect against damage during handling, transit and storage. Reference Engineering document PK-19195-001.

REVISION: A	ECR/ECN INFORMATION: EC No: ETC2002-0307 DATE: 2002 / 04 / 26	TITLE: PRODUCT SPECIFICATION FOR MAGKRIMP SPLICES, RING, & SPADE TERMINALS	SHEET No. 2 of 5
DOCUMENT NUMBER: PS-19195-001		CREATED / REVISED BY: JPAWLICKI	CHECKED BY: RDEROSS
		APPROVED BY: RDEROSS	



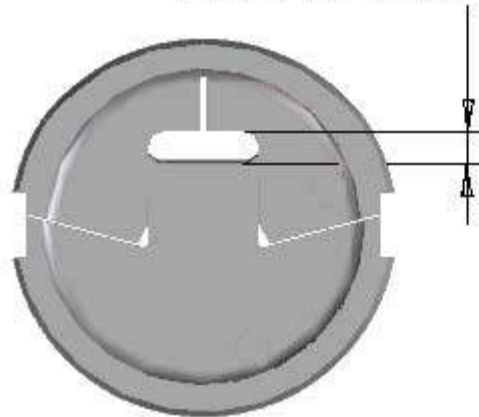
PRODUCT SPECIFICATION

7.0 GAGES AND FIXTURES

8.0 OTHER INFORMATION

8.1 DIE CRIMP GAGING

DIE CRIMP GAGING



Terminal Material No.	CMA Range	Die Set Material No.	Minimum Die Gaging	Maximum Die Gaging
19195-0002	4,110-20,760	19708-0130	0.162	0.174
		19708-0137	0.162	0.174
		19708-0800	0.162	0.174
19195-0004	10,380-52,480	19708-0131	0.234	0.246
		19708-0138	0.234	0.246
		19708-0803	0.234	0.246
19195-0005	13,120-86,000	19708-0134	0.179	0.194
		19708-0140	0.183	0.190
		19708-0809	0.179	0.194
19195-0006	4,110-20,760	19708-0130	0.162	0.174
		19708-0137	0.162	0.174
		19708-0800	0.162	0.174
19195-0007	10,380-52,480	19708-0131	0.234	0.246
		19708-0138	0.234	0.246
		19708-0803	0.234	0.246
19195-0011	10,380-52,480	19708-0131	0.234	0.246
		19708-0138	0.234	0.246
		19708-0803	0.234	0.246

REVISION: A	ECR/ECN INFORMATION: EC No: ETC2002-0307 DATE: 2002 / 04 / 26	TITLE: PRODUCT SPECIFICATION FOR MAGKRIMP SPLICES, RING, & SPADE TERMINALS	SHEET No. 3 of 5
DOCUMENT NUMBER: PS-19195-001	CREATED / REVISED BY: JPAWLICKI	CHECKED BY: RDEROSS	APPROVED BY: RDEROSS



PRODUCT SPECIFICATION

19195-0012	4,110-20,760	19708-0130	0.162	0.174
		19708-0137	0.162	0.174
		19708-0800	0.162	0.174
19195-0018	12,960-30,550	19708-0133	0.097	0.112
		19708-0141	0.102	0.108
		19708-0806	0.097	0.112
19195-0019	10,380-52,480	19708-0131	0.234	0.246
		19708-0138	0.234	0.246
		19708-0803	0.234	0.246
19195-0021	10,380-52,480	19708-0131	0.234	0.246
		19708-0138	0.234	0.246
		19708-0803	0.234	0.246
19195-0022	4,110-20,760	19708-0130	0.162	0.174
		19708-0137	0.162	0.174
		19708-0800	0.162	0.174
19195-0023	50,000-115,000	19708-0135	†	†
19195-0027	20,760-104,960	19708-0132	0.464	0.470
		19708-0139	0.464	0.470
19195-0031	165,000-230,000	19708-0135	†	†
19195-0032	26,240-172,000	19708-0176	0.359	0.374
19195-0034	50,000-115,000	19708-0135	†	†
19195-0035	10,380-52,480	19708-0131	0.234	0.246
		19708-0138	0.234	0.246
		19708-0803	0.234	0.246
19195-0037	10,380-52,480	19708-0131	0.234	0.246
		19708-0138	0.234	0.246
		19708-0803	0.234	0.246
19195-0040	50,000-115,000	19708-0135	†	†
19195-0041	110,000-175,000	19708-0135	†	†
19195-0044	165,000-230,000	19708-0135	†	†
19195-0047	165,000-230,000	19708-0135	†	†
19195-0056	20,760-104,960	19708-0132	0.464	0.470
		19708-0139	0.464	0.470
19195-0085	20,760-104,960	19708-0132	0.464	0.470
		19708-0139	0.464	0.470
19195-0115	4,110-20,760	19708-0130	0.162	0.174
		19708-0137	0.162	0.174
		19708-0800	0.162	0.174

† Dies do not bottom. Gage height will depend on size and quantity of wires in barrel. Pump used must deliver 9800 psi minimum.

REVISION: A	ECR/ECN INFORMATION: EC No: ETC2002-0307 DATE: 2002 / 04 / 26	TITLE: PRODUCT SPECIFICATION FOR MAGKRIMP SPLICES, RING, & SPADE TERMINALS	SHEET No. 4 of 5
DOCUMENT NUMBER: PS-19195-001	CREATED / REVISED BY: JPAWLICKI	CHECKED BY: RDEROSS	APPROVED BY: RDEROSS



PRODUCT SPECIFICATION

<u>REVISION:</u> A	<u>ECR/ECN INFORMATION:</u> <u>EC No:</u> ETC2002-0307 <u>DATE:</u> 2002 / 04 / 26	<u>TITLE:</u> PRODUCT SPECIFICATION FOR MAGKRIMP SPLICES, RING, & SPADE TERMINALS	<u>SHEET No.</u> 5 of 5
<u>DOCUMENT NUMBER:</u> PS-19195-001	<u>CREATED / REVISED BY:</u> JPAWLICKI	<u>CHECKED BY:</u> RDEROSS	<u>APPROVED BY:</u> RDEROSS