

- NOTES:**
1. MATERIAL : BODY : LCP UL94-V0
: CONTACT : COPPER ALLOY.
 2. FOR PLATING PERFORMANCE REFER DRAWING # 101594.08
 3. INDICATED HOLES ARE UN PLATED.
 4. RECOMMENDED HOLE PATTERN ON SHEET-3.
 5. DIMS. A, B, AND C ON SHEET 2.
 6. THIS PRODUCT MEETS EUROPEAN UNION DIRECTIVES AND OTHER COUNTRY REGULATIONS AS DESCRIBED IN GS-47- 0004.
 7. ALL PRODUCTS WILL WITHSTAND EXPOSURE TO 260° FOR 60 SECONDS IN A CONVECTION, INFRA-RED OR VAPOR PHASE REFLOW OVEN.
 8. A SYMBOL WILL BE NEXT TO ANY DIMENSION, VIEW, OR NOTE WHICH HAS BEEN MODIFIED WITH THE CURRENT DRAWING REVISION.
 9. DIAMOND LOCATION PEG ARE ONLY EXISTED ON THE BOTH SIDES OF PRODUCT DIAGONALLY.

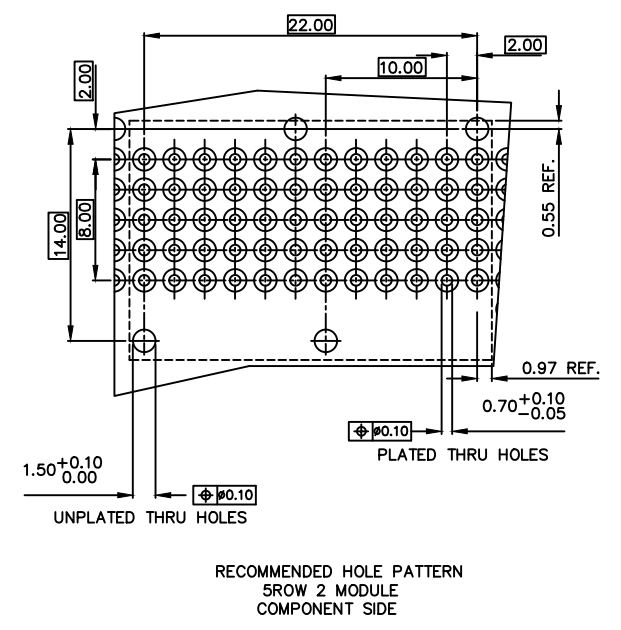
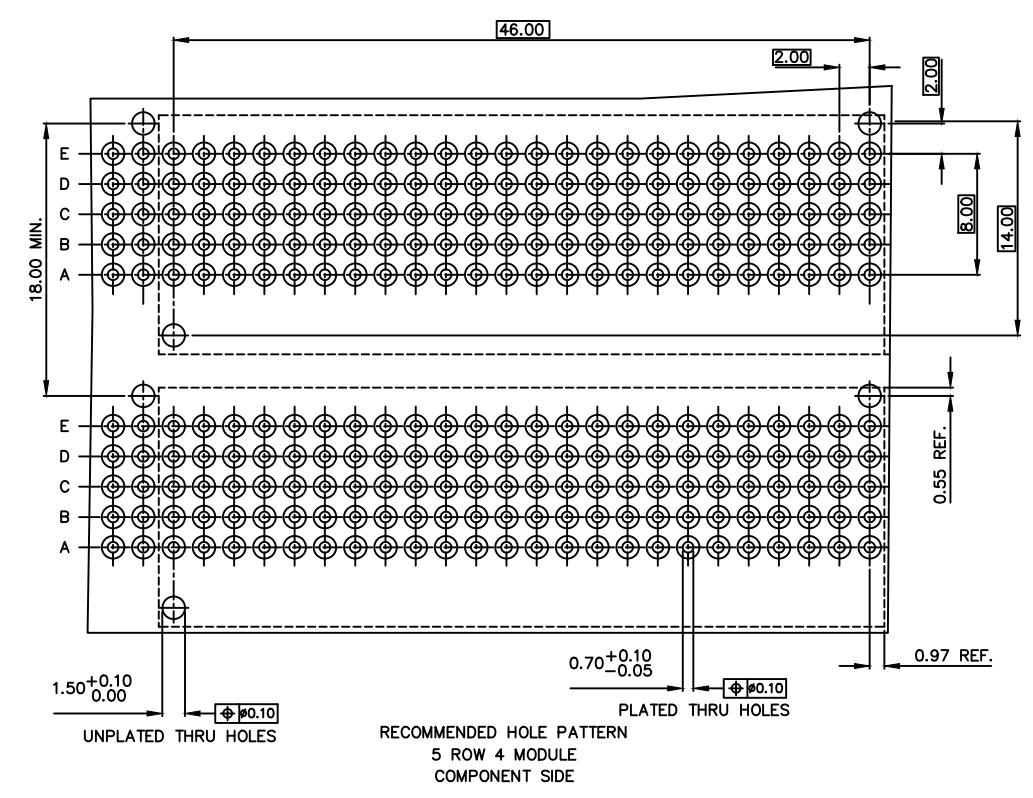
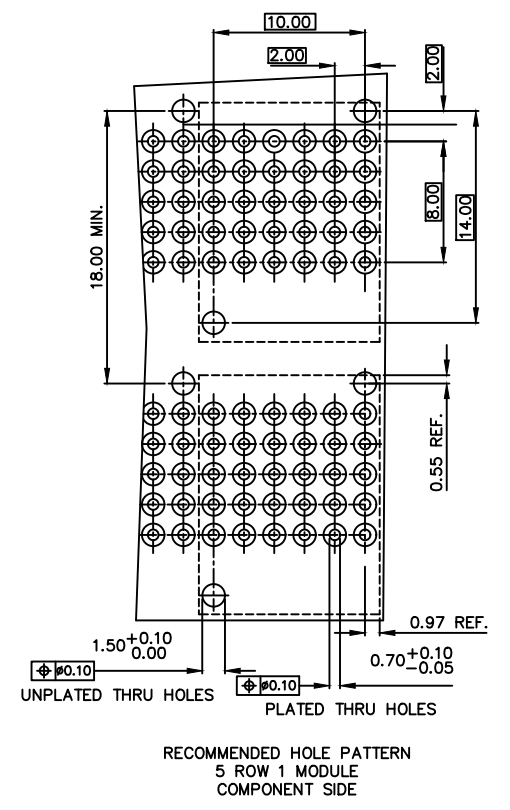
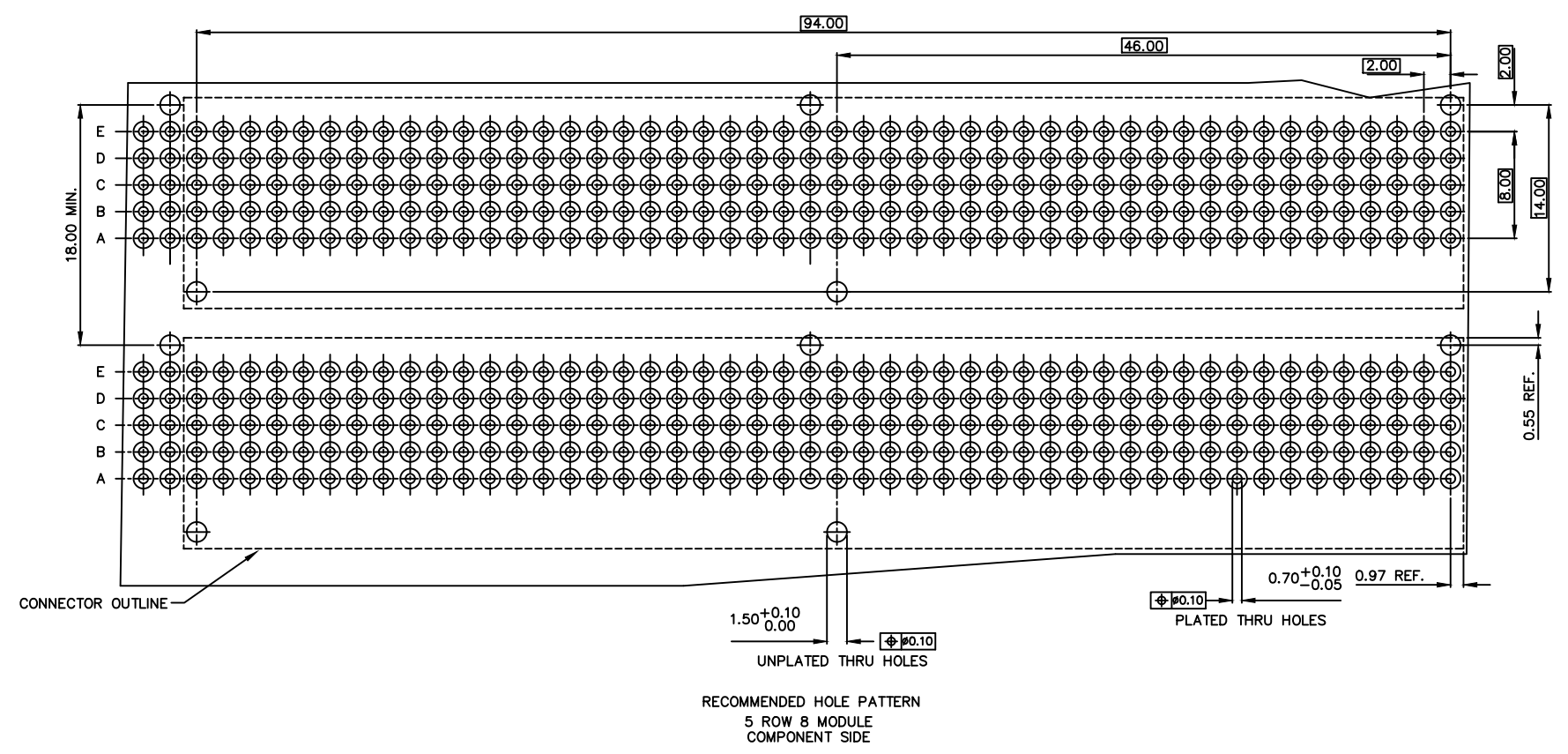
mat'l. code				surface	tolerance	projection	product family				
				ISO 1302	ISO 406	ISO 1101	METRAL				
ltr	ecn no	dr	date	tolerances unless otherwise specified			title				
M	DG08-0171	TER	2008-08-18	angles	linear	.X±0.3	VERTICAL SIGNAL				
N	DG09-0068	CENH	209-06-06	0°±2°		.XX±0.13	RECEPT. ASSY.-5 ROW				
P	ELX-I-38965	MINI	2020-11-13			.XXX±0.050	scale -				
				dr	STU STONER	1996-07-29	dwg no				
				enr	ARUN	2020-11-13	sheet 1 of 3				
				chr	ALEX BABU	2020-11-13	size				
				appd	SANOJ	2020-11-13	A3				
							type Product Customer Drawing				
sheet index	revision sheet	P	P	P							
		1	2	3							



Amphenol
FCi

© 2016 AFCI

© 2016 AFCI



mat'l. code				surface	tolerance	projection	product family				
ltr				ISO 1302	ISO 406	ISO 101	METRAL				
ecn no	dr	date	tolerances unless otherwise specified				title				
M DG08-0171	TER	2008-08-18	angles	linear	.X±0.3	VERTICAL SIGNAL					
N DG09-0068	CENH	209-06-06	0°±2°		.XX±0.13	RECEPT. ASSY.-5 ROW					
P ELX-I-38965	MINI	2020-11-13			.XXX±0.050	dwg no					
				dr	STU STONER	1996-07-29	sheet 2 of 3				
				enr	ARUN	2020-11-13	94560				
				chr	ALEX BABU	2020-11-13	A3				
				appd	SANOJ	2020-11-13	type				
				Product Customer Drawing							
sheet index	revision	P	P	P							
	sheet	1	2	3							



© 2016 AFci

Amphenol
FCi

1

2 3

4

5

6

PRODUCT NUMBER	DIM "A"	DIM "B"	DIM "C" PCB THK.	DESCRIPTION
94560-X11LF	11.95 REF.	2.65	1.6	5 ROW 1 MOD
94560-X21LF	23.95 REF.	2.65	1.6	5 ROW 2 MOD
94560-X31LF	47.95 REF.	2.65	1.6	5 ROW 4 MOD
94560-X41LF	95.95 REF.	2.65	1.6	5 ROW 8 MOD

PRODUCT NUMBER	DIM "A"	DIM "B"	DIM "C" PCB THK.	DESCRIPTION
94560-X12LF	11.95 REF.	3.45	2.4	5 ROW 1 MOD
94560-X22LF	23.95 REF.	3.45	2.4	5 ROW 2 MOD
94560-X32LF	47.95 REF.	3.45	2.4	5 ROW 4 MOD
94560-X42LF	95.95 REF.	3.45	2.4	5 ROW 8 MOD

PRODUCT NUMBER	DIM "A"	DIM "B"	DIM "C" PCB THK.	DESCRIPTION
94560-X13LF	11.95 REF.	4.25	3.2	5 ROW 1 MOD
94560-X23LF	23.95 REF.	4.25	3.2	5 ROW 2 MOD
94560-X33LF	47.95 REF.	4.25	3.2	5 ROW 4 MOD
94560-X43LF	95.95 REF.	4.25	3.2	5 ROW 8 MOD

PRODUCT NUMBER	DIM "A"	DIM "B"	DIM "C" PCB THK.	CONFIGURATION						DESCRIPTION	
				6	5	4	3	2	1		
94560-X51LF	11.95 REF.	4.25	3.2	E	-	X	-	-	-	-	5 ROW 1 MOD
				D	-	X	-	-	-	-	
				C	-	-	-	-	-	-	
				B	-	X	-	-	-	-	
				A	-	X	X	-	-	-	
94560-X52LF	11.95 REF.	2.65	1.6	E	-	X	-	X	-	X	5 ROW 1 MOD
				D	-	X	-	X	-	X	
				C	-	X	-	X	-	X	
				B	-	X	-	X	-	X	
				A	-	X	-	X	-	X	

(-) REPRESENTS AN EMPTY POSITION
 (X) REPRESENTS A LOADED POSITION

mat'l. code				surface <input checked="" type="checkbox"/> ISO 1302		tolerance <input checked="" type="checkbox"/> ISO 406 ISO 1101		projection		product family METRAL			
ltr				ecn no		dr		date		title			
M				DG08-0171		TER		2008-08-18		VERTICAL SIGNAL			
N				DG09-0068		CENH		209-06-06		RECEPT. ASSY.-5 ROW			
P				ELX-I-38965		MINI		2020-11-13		scale -			
										dwg no		sheet 3 of 3	
										94560		A3	
										type		Product Customer Drawing	
sheet index		revision sheet		P 1		P 2		P 3					

1

2

3

4 PDS: Rev :P

5 STATUS:Released

6 Printed: Nov 16, 2020

6